

# INTERNATIONAL STANDARD

## NORME INTERNATIONALE

**Plugs, socket-outlets, vehicle connectors and vehicle inlets – Conductive charging of electric vehicles –  
Part 2: Dimensional compatibility requirements for AC pin and contact-tube accessories**

**Fiches, socles de prise de courant, prises mobiles de véhicule et socles de connecteurs de véhicule – Charge conductive des véhicules électriques –  
Partie 2: Exigences dimensionnelles de compatibilité pour les appareils à broches et alvéoles pour courant alternatif**



## THIS PUBLICATION IS COPYRIGHT PROTECTED

Copyright © 2022 IEC, Geneva, Switzerland

All rights reserved. Unless otherwise specified, no part of this publication may be reproduced or utilized in any form or by any means, electronic or mechanical, including photocopying and microfilm, without permission in writing from either IEC or IEC's member National Committee in the country of the requester. If you have any questions about IEC copyright or have an enquiry about obtaining additional rights to this publication, please contact the address below or your local IEC member National Committee for further information.

Droits de reproduction réservés. Sauf indication contraire, aucune partie de cette publication ne peut être reproduite ni utilisée sous quelque forme que ce soit et par aucun procédé, électronique ou mécanique, y compris la photocopie et les microfilms, sans l'accord écrit de l'IEC ou du Comité national de l'IEC du pays du demandeur. Si vous avez des questions sur le copyright de l'IEC ou si vous désirez obtenir des droits supplémentaires sur cette publication, utilisez les coordonnées ci-après ou contactez le Comité national de l'IEC de votre pays de résidence.

IEC Secretariat  
3, rue de Varembé  
CH-1211 Geneva 20  
Switzerland

Tel.: +41 22 919 02 11  
[info@iec.ch](mailto:info@iec.ch)  
[www.iec.ch](http://www.iec.ch)

### About the IEC

The International Electrotechnical Commission (IEC) is the leading global organization that prepares and publishes International Standards for all electrical, electronic and related technologies.

### About IEC publications

The technical content of IEC publications is kept under constant review by the IEC. Please make sure that you have the latest edition, a corrigendum or an amendment might have been published.

#### IEC publications search - [webstore.iec.ch/advsearchform](http://webstore.iec.ch/advsearchform)

The advanced search enables to find IEC publications by a variety of criteria (reference number, text, technical committee, ...). It also gives information on projects, replaced and withdrawn publications.

#### IEC Just Published - [webstore.iec.ch/justpublished](http://webstore.iec.ch/justpublished)

Stay up to date on all new IEC publications. Just Published details all new publications released. Available online and once a month by email.

#### IEC Customer Service Centre - [webstore.iec.ch/csc](http://webstore.iec.ch/csc)

If you wish to give us your feedback on this publication or need further assistance, please contact the Customer Service Centre: [sales@iec.ch](mailto:sales@iec.ch).

#### IEC Products & Services Portal - [products.iec.ch](http://products.iec.ch)

Discover our powerful search engine and read freely all the publications previews. With a subscription you will always have access to up to date content tailored to your needs.

#### Electropedia - [www.electropedia.org](http://www.electropedia.org)

The world's leading online dictionary on electrotechnology, containing more than 22 300 terminological entries in English and French, with equivalent terms in 19 additional languages. Also known as the International Electrotechnical Vocabulary (IEV) online.

---

### A propos de l'IEC

La Commission Electrotechnique Internationale (IEC) est la première organisation mondiale qui élabore et publie des Normes internationales pour tout ce qui a trait à l'électricité, à l'électronique et aux technologies apparentées.

### A propos des publications IEC

Le contenu technique des publications IEC est constamment revu. Veuillez vous assurer que vous possédez l'édition la plus récente, un corrigendum ou amendement peut avoir été publié.

#### Recherche de publications IEC - [webstore.iec.ch/advsearchform](http://webstore.iec.ch/advsearchform)

La recherche avancée permet de trouver des publications IEC en utilisant différents critères (numéro de référence, texte, comité d'études, ...). Elle donne aussi des informations sur les projets et les publications remplacées ou retirées.

#### IEC Just Published - [webstore.iec.ch/justpublished](http://webstore.iec.ch/justpublished)

Restez informé sur les nouvelles publications IEC. Just Published détaille les nouvelles publications parues. Disponible en ligne et une fois par mois par email.

#### Service Clients - [webstore.iec.ch/csc](http://webstore.iec.ch/csc)

Si vous désirez nous donner des commentaires sur cette publication ou si vous avez des questions contactez-nous: [sales@iec.ch](mailto:sales@iec.ch).

#### IEC Products & Services Portal - [products.iec.ch](http://products.iec.ch)

Découvrez notre puissant moteur de recherche et consultez gratuitement tous les aperçus des publications. Avec un abonnement, vous aurez toujours accès à un contenu à jour adapté à vos besoins.

#### Electropedia - [www.electropedia.org](http://www.electropedia.org)

Le premier dictionnaire d'électrotechnologie en ligne au monde, avec plus de 22 300 articles terminologiques en anglais et en français, ainsi que les termes équivalents dans 19 langues additionnelles. Egalement appelé Vocabulaire Electrotechnique International (IEV) en ligne.



# INTERNATIONAL STANDARD

# NORME INTERNATIONALE

---

**Plugs, socket-outlets, vehicle connectors and vehicle inlets – Conductive charging of electric vehicles –  
Part 2: Dimensional compatibility requirements for AC pin and contact-tube accessories**

**Fiches, socles de prise de courant, prises mobiles de véhicule et socles de connecteurs de véhicule – Charge conductive des véhicules électriques –  
Partie 2: Exigences dimensionnelles de compatibilité pour les appareils à broches et alvéoles pour courant alternatif**

INTERNATIONAL  
ELECTROTECHNICAL  
COMMISSION

COMMISSION  
ELECTROTECHNIQUE  
INTERNATIONALE

---

ICS 29.120.30; 43.120

ISBN 978-2-8322-5931-3

**Warning! Make sure that you obtained this publication from an authorized distributor.  
Attention! Veuillez vous assurer que vous avez obtenu cette publication via un distributeur agréé.**

## CONTENTS

FOREWORD.....	4
INTRODUCTION.....	6
1 Scope.....	7
2 Normative references .....	7
3 Terms and definitions .....	8
4 General .....	8
5 Ratings.....	8
6 Connection between the power supply and the electric vehicle.....	8
7 Classification of accessories.....	11
8 Marking .....	11
9 Dimensions.....	11
10 Protection against electric shock .....	12
11 Size and colour of protective earthing and neutral conductors .....	12
12 Provisions for earthing.....	12
13 Terminals .....	13
14 Interlocks.....	13
15 Resistance to ageing of rubber and thermoplastic material .....	13
16 General construction .....	13
17 Construction of EV socket-outlets – General.....	13
18 Construction of EV plugs and vehicle connectors.....	13
19 Construction of vehicle inlets .....	13
20 Degrees of protection .....	13
21 Insulation resistance and dielectric strength .....	13
22 Breaking capacity .....	13
23 Normal operation .....	14
24 Temperature rise .....	14
25 Flexible cables and their connection.....	14
26 Mechanical strength .....	14
27 Screws, current-carrying parts and connections.....	14
28 Creepage distances, clearances and distances through sealing compound.....	14
29 Resistance to heat and to fire .....	14
30 Corrosion and resistance to rusting .....	14
31 Conditional short-circuit current.....	14
32 Electromagnetic compatibility (EMC) .....	14
33 Vehicle drive over.....	15
34 Thermal cycling .....	15
35 Humidity exposure.....	15
36 Misalignment .....	15
37 Contact endurance test.....	15
201 Resistor coding.....	15
STANDARD SHEETS.....	16
CONFIGURATION TYPE 1 .....	16

CONFIGURATION TYPE 2 ..... 27

CONFIGURATION TYPE 3 ..... 42

Annex A (informative) Legacy drawings from IEC 62196-2:2016 ..... 61

Bibliography..... 66

Table 201 – Overview of the basic vehicle interface, configuration type 1, single phase..... 10

Table 202 – Overview of the basic vehicle interface, configuration types 2 and 3, three phase or single phase ..... 10

Table 203 – Configuration types and standard sheets ..... 12

Table 204 – Interoperation of configuration type 2 accessories ..... 27

# INTERNATIONAL ELECTROTECHNICAL COMMISSION

---

## **PLUGS, SOCKET-OUTLETS, VEHICLE CONNECTORS AND VEHICLE INLETS – CONDUCTIVE CHARGING OF ELECTRIC VEHICLES –**

### **Part 2: Dimensional compatibility requirements for AC pin and contact-tube accessories**

#### FOREWORD

- 1) The International Electrotechnical Commission (IEC) is a worldwide organization for standardization comprising all national electrotechnical committees (IEC National Committees). The object of IEC is to promote international co-operation on all questions concerning standardization in the electrical and electronic fields. To this end and in addition to other activities, IEC publishes International Standards, Technical Specifications, Technical Reports, Publicly Available Specifications (PAS) and Guides (hereafter referred to as "IEC Publication(s)"). Their preparation is entrusted to technical committees; any IEC National Committee interested in the subject dealt with may participate in this preparatory work. International, governmental and non-governmental organizations liaising with the IEC also participate in this preparation. IEC collaborates closely with the International Organization for Standardization (ISO) in accordance with conditions determined by agreement between the two organizations.
- 2) The formal decisions or agreements of IEC on technical matters express, as nearly as possible, an international consensus of opinion on the relevant subjects since each technical committee has representation from all interested IEC National Committees.
- 3) IEC Publications have the form of recommendations for international use and are accepted by IEC National Committees in that sense. While all reasonable efforts are made to ensure that the technical content of IEC Publications is accurate, IEC cannot be held responsible for the way in which they are used or for any misinterpretation by any end user.
- 4) In order to promote international uniformity, IEC National Committees undertake to apply IEC Publications transparently to the maximum extent possible in their national and regional publications. Any divergence between any IEC Publication and the corresponding national or regional publication shall be clearly indicated in the latter.
- 5) IEC itself does not provide any attestation of conformity. Independent certification bodies provide conformity assessment services and, in some areas, access to IEC marks of conformity. IEC is not responsible for any services carried out by independent certification bodies.
- 6) All users should ensure that they have the latest edition of this publication.
- 7) No liability shall attach to IEC or its directors, employees, servants or agents including individual experts and members of its technical committees and IEC National Committees for any personal injury, property damage or other damage of any nature whatsoever, whether direct or indirect, or for costs (including legal fees) and expenses arising out of the publication, use of, or reliance upon, this IEC Publication or any other IEC Publications.
- 8) Attention is drawn to the Normative references cited in this publication. Use of the referenced publications is indispensable for the correct application of this publication.
- 9) Attention is drawn to the possibility that some of the elements of this IEC Publication may be the subject of patent rights. IEC shall not be held responsible for identifying any or all such patent rights.

IEC 62196-2 has been prepared by IEC subcommittee 23H: Plugs, socket-outlets and couplers for industrial and similar applications, and for electric vehicles, of IEC technical committee 23: Electrical accessories. It is an International Standard.

This third edition cancels and replaces the second edition published in 2016. This edition constitutes a technical revision.

This edition includes the following significant technical changes with respect to the previous edition:

- a) interchangeability requirements have been removed from the title of Part 2;
- b) alignment with IEC 62196-1:2022 and IEC 62196-3:2022;
- c) alignment with IEC 61851-1:2017.

The text of this International Standard is based on the following documents:

Draft	Report on voting
23H/502/FDIS	23H/506/RVD

Full information on the voting for its approval can be found in the report on voting indicated in the above table.

The language used for the development of this International Standard is English.

This document was drafted in accordance with ISO/IEC Directives, Part 2, and developed in accordance with ISO/IEC Directives, Part 1 and ISO/IEC Directives, IEC Supplement, available at [www.iec.ch/members\\_experts/refdocs](http://www.iec.ch/members_experts/refdocs). The main document types developed by IEC are described in greater detail at [www.iec.ch/standardsdev/publications](http://www.iec.ch/standardsdev/publications).

A list of all the parts in the IEC 62196 series, published under the general title *Plugs, socket-outlets, vehicle connectors and vehicle inlets – Conductive charging of electric vehicles*, can be found on the IEC website.

This document is to be read in conjunction with IEC 62196-1:2022. The clauses of the particular requirements in this document supplement or modify the corresponding clauses in IEC 62196-1:2022. Where the text indicates "addition" to or "replacement" of the relevant requirement, test specification or explanation of IEC 62196-1:2022, these changes are made to the relevant text of IEC 62196-1:2022, which then becomes part of this document. Where no change is necessary, the words "Clause X of IEC 62196-1:2022 is applicable" are used.

Subclauses, figures, tables, or notes which are additional to those in IEC 62196-1:2022 are numbered starting from 201.

In this document, the following print types are used:

- requirements proper: in roman type;
- *test specifications: in italic type;*
- notes: in smaller roman type.

The committee has decided that the contents of this document will remain unchanged until the stability date indicated on the IEC website under [webstore.iec.ch](http://webstore.iec.ch) in the data related to the specific document. At this date, the document will be

- reconfirmed,
- withdrawn,
- replaced by a revised edition, or
- amended.

## INTRODUCTION

IEC 61851 (all parts) specifies requirements for electric vehicle (EV) conductive supply equipment.

IEC 62196 (all parts) specifies the requirements for plugs, socket-outlets, vehicle connectors, vehicle inlets and cable assemblies as described in IEC 61851 (all parts).

Some charging using on-board vehicle chargers can be achieved by direct connection from an electric vehicle to an AC supply network using common socket-outlets or by the use of equipment incorporating control and communication circuits.

To support the connection of AC power for such vehicles, this document provides the standard interface configurations of AC vehicle couplers and accessories to be used in conductive charging of electric vehicles, taking the most frequent charging situations into consideration.

IEC 62196 consists of the following parts:

- Part 1: General requirements, comprising clauses of a general character.
- Part 2: Dimensional compatibility requirements for AC pin and contact-tube accessories.
- Part 3: Dimensional compatibility requirements for DC and AC/DC pin and contact-tube vehicle couplers.
- Part 3-1: Vehicle connector, vehicle inlet and cable assembly intended to be used with a thermal management system for DC charging.
- Part 4: Dimensional compatibility requirements for DC pin and contact-tube accessories for Class II or Class III applications.
- Part 6: Dimensional compatibility requirements for DC pin and contact-tube couplers for applications using a system of protective electrical separation.



# PLUGS, SOCKET-OUTLETS, VEHICLE CONNECTORS AND VEHICLE INLETS – CONDUCTIVE CHARGING OF ELECTRIC VEHICLES –

## Part 2: Dimensional compatibility requirements for AC pin and contact-tube accessories

### 1 Scope

This part of IEC 62196 applies to EV plugs, EV socket-outlets, vehicle connectors and vehicle inlets with pins and contact-tubes of standardized configurations, herein referred to as accessories. These accessories have a nominal rated operating voltage not exceeding 480 V AC, 50 Hz to 60 Hz, and a rated current not exceeding 63 A three phase or 70 A single phase, for use in conductive charging of electric vehicles.

This document covers the basic interface accessories for vehicle supply as specified in IEC 62196-1:2022.

NOTE 1 The term "Electric road vehicles (EV)" comprises all road vehicles, including plug-in hybrid road vehicles (PHEV) that derive all or part of their energy from the rechargeable energy storage systems (RESS).

These accessories are intended to be used for circuits specified in IEC 61851-1:2017, which operate at different voltages and frequencies, and which can include extra-low voltage (ELV) and communication signals.

The use of these accessories for bidirectional power transfer is under consideration.

This document applies to accessories to be used in an ambient temperature between –30 °C and +40 °C.

NOTE 2 In the following country, other requirements regarding the lower temperature may apply: NO.

NOTE 3 In the following country, –35 °C applies: SE.

These accessories are intended to be connected only to cables with copper or copper-alloy conductors.

Vehicle inlets and vehicle connectors described in this document are intended to be used for charging in modes 1, 2 and 3, cases B and C. The EV socket-outlets and EV plugs covered by this document are intended to be used for charging mode 3 only, case A and B.

The modes and permissible connections are specified in IEC 61851-1:2017.

### 2 Normative references

Clause 2 of IEC 62196-1:2022 applies, except as follows:

*Addition:*

IEC 62196-1:2022, *Plugs, socket-outlets, vehicle connectors and vehicle inlets – Conductive charging of electric vehicles – Part 1: General requirements*

### 3 Terms and definitions

Clause 3 of IEC 62196-1:2022 applies.

### 4 General

Clause 4 of IEC 62196-1:2022 applies.

### 5 Ratings

Clause 5 of IEC 62196-1:2022 applies, except as follows:

#### 5.1 Preferred rated operating voltage ranges

*Replacement:*

*Replace the existing text and title of IEC 62196-1:2022, 5.1 with the following:*

#### 5.1 Rated operating voltage ranges

Rated operating voltages are as follows:

- 30 V (signal or control purposes only)
- 250 V AC
- 480 V AC

#### 5.2 Preferred rated currents

*Replacement:*

*Replace the existing title of IEC 62196-1:2022, 5.2 and the existing text of Subclause 5.2.1 with the following:*

#### 5.2 Rated currents

##### 5.2.1 General

The rated currents are as follows:

- 13 A single phase
- 16 A single and three phase
- 20 A single and three phase
- 30 A or 32 A single and three phase
- 60 A or 63 A single and three phase
- 70 A single phase only

NOTE 1 In the following country, the branch circuit overcurrent protection device is based upon 125 % of the accessory rating: US.

NOTE 2 Reference to "30 A or 32 A" and "60 A or 63 A" rating is made in accordance with national requirements.

### 6 Connection between the power supply and the electric vehicle

Clause 6 of IEC 62196-1:2022 applies, except as follows:

## 6.1 Interfaces

*Replacement:*

*Replace the existing text of IEC 62196-1:2022, 6.1 with the following:*

This Clause 6 provides a description of the physical conductive electrical interface requirements between the vehicle and the power supply, which allows the following design at the vehicle interface:

- a basic interface that provides for current ratings up to 63 A AC three-phase and up to 70 A AC single phase.

Different configuration types for the basic interface may allow different application of mode and current ratings. See introduction to relevant standard sheets for more details.

## 6.2 Basic interface

*Replacement:*

*Replace the existing text of IEC 62196-1:2022, 6.2 with the following:*

There is one type of vehicle inlet:

- basic

The basic interface may contain up to seven power or signal contacts, with unique physical configurations of contact positions for single or three phases. The electrical ratings and their function are described in Table 201 and Table 202. The electrical ratings and their function are described in the standard sheets.

Each vehicle inlet shall only mate with the corresponding type of vehicle connector. Each EV plug shall only mate with the corresponding type of EV socket-outlet.

The accessories, configuration types 1, 2 or 3 are rated as follows:

- configuration type 1 vehicle coupler is rated 250 V, 32 A single phase;
- configuration type 2 vehicle coupler, EV socket-outlet and EV plug are rated:
  - 250 V, 13 A or 20 A or 32 A or 63 A or 70 A single phase,
  - 480 V, 13 A or 20 A or 32 A or 63 A, three phase.
- configuration type 3 vehicle coupler, EV socket-outlet and EV plug are rated:
  - 250 V, 16 A or 32 A, single phase,
  - 480 V, 32 A or 63 A three phase.

**Table 201 – Overview of the basic vehicle interface, configuration type 1, single phase**

Position number <sup>a</sup>	AC	Functions <sup>c</sup>
1	250 V 32 A <sup>b</sup>	L1 (mains 1)
2	250 V 32 A	L2 (mains 2) / N (neutral)
3	Rated for fault	PE (ground/earth)
4	30 V 2 A	CP (Control pilot)
5	30 V 2 A	CS (Connection switch)

<sup>a</sup> Position number does not refer to the location and/or identification of the contact in the accessory.

<sup>b</sup> In the following country, the branch circuit overcurrent protection is based upon 125 % of the device rating: US.

<sup>c</sup> For contacts 4 and 5, environmental conditions may demand larger conductor cross-sections.

**Table 202 – Overview of the basic vehicle interface, configuration types 2 and 3, three phase or single phase**

Position number <sup>f</sup>	$U_{max}$	Three phase		Single phase		Functions
		$I_{max}^a$		$I_{max}^a$		
	A		A			
	Type 2	Type 3	Type 2 <sup>b</sup>	Type 3		
1	480	63		70	63	L1 (mains 1) <sup>b</sup>
2	480	63		- <sup>c</sup>	- <sup>c</sup>	L2 (mains 2)
3	480	63		- <sup>c</sup>	- <sup>c</sup>	L3 (mains 3)
4	480	63		70	63	N (neutral) <sup>b, e</sup>
5	—	Rated for fault				PE (ground/earth)
6	30	2				CP (Control pilot)
7	30	2				PP (Proximity) <sup>d</sup> or CS (Connection switch) <sup>d</sup>

<sup>a</sup> In the following country, the branch circuit overcurrent protection is based upon 125 % of the device rating: US.

<sup>b</sup> For single phase charging, contacts 1 and 4 shall be used.

<sup>c</sup> Unused contacts need not be installed. Not provided for Standard Sheets 2-IIIa and 2-IIIb.

<sup>d</sup> Not provided for Standard Sheet 2-IIIa.

<sup>e</sup> For single phase system supply phase to phase this contact can be used for L2 (mains 2).

<sup>f</sup> Position number does not refer to the location and/or identification of the contact in the accessory.

**6.3 DC Interface**

*Not applicable*

**6.4 Combined interface**

*Not applicable.*

*Addition:*

*Add the following new subclause:*

### **6.201 Communication and control pilot function**

The control pilot and proximity detection or connection contacts are intended to be used in accordance with IEC 61851-1:2017.

## **7 Classification of accessories**

Clause 7 of IEC 62196-1:2022 applies, except as follows:

### **7.4 According to electrical operation**

*Replacement:*

*Replace the existing text of IEC 62196-1:2022, 7.4 with the following:*

- suitable for making and breaking an electrical circuit under load for 32 A configurations types 1 and 3;
- not suitable for making and breaking an electrical circuit under load for configuration type 2;
- not suitable for making and breaking an electrical circuit under load for 63 A configuration type 3.

NOTE Communication circuits according to this document are deemed not to make or break load as a result of this Subclause 7.4.

### **7.5 According to interface**

*Replacement:*

*Replace the existing text of IEC 62196-1:2022, 7.5 with the following:*

Interface is specified in Clause 6:

- basic type.

*Addition:*

*Add the following new subclause:*

#### **7.201 According to the standard sheet used**

- configuration type 1;
- configuration type 2;
- configuration type 3.

## **8 Marking**

Clause 8 of IEC 62196-1:2022 applies.

## **9 Dimensions**

Clause 9 of IEC 62196-1:2022 applies, except as follows:

*Addition:*

*Add the following new subclause:*

### 9.201 Standard sheets

Accessories shall comply with the relevant standard sheets as specified below and in Table 203:

- Configuration type 1
  - 32 A, 250 V single-phase vehicle couplers: Standard Sheet 2-I.
  - Optional latching system: Standard Sheet 2-Ia.

NOTE In the following countries, Standard Sheets 2-I and 2-Ia may be applied to vehicle couplers with rated current up to 80 A: US, KR.

- Configuration type 2
  - 63 A, 480 V three-phase or 250 V, 70 A single-phase accessories: Standard Sheets 2-II, IIa, IIb, IIc, IId, IIe, IIf, IIg and IIh, as specified in Table 204.
- Configuration type 3
  - 16 A, 250 V single-phase accessories with one pilot: Standard Sheet 2-IIIa;
  - 32 A, 250 V single-phase accessories with two pilots: Standard Sheet 2-IIIb;
  - 63 A, 480 V three-phase accessories with two pilots: Standard Sheet 2-IIIc;
  - Latching means and packaging room: Standard Sheet 2-IIId.

**Table 203 – Configuration types and standard sheets**

Configuration type	Standard sheet	Applicable accessories	Rated voltage V	Rated current A	Phase
1	2-I	Vehicle couplers	250	32	Single phase
2	2-II	Accessories	250	70	Single phase
			480	63	Three phase
3	2-III	Accessories	250	16	Single phase
			250	32	Single phase
			480	63	Three phase

## 10 Protection against electric shock

Clause 10 of IEC 62196-1:2022 applies.

## 11 Size and colour of protective earthing and neutral conductors

*Replacement:*

*Replace the existing text of IEC 62196-1:2022, Clause 11 with the following:*

The core connected to the earthing terminal shall be identified by the colour combination green-and-yellow. The nominal cross-sectional area of the earthing conductor and of the neutral conductor, if any, shall be at least equal to that of the phase conductors.

NOTE In the following countries, the colour green may be used to identify the earthing conductor: JP, US, CA, KR, BR.

## 12 Provisions for earthing

Clause 12 of IEC 62196-1:2022 applies.

## **13 Terminals**

Clause 13 of IEC 62196-1:2022 applies, except as follows.

*Addition:*

*Add the following new subclause:*

**13.201** Wire connection of components, for example coding resistors, may be rewirable or non-rewirable.

## **14 Interlocks**

Clause 14 of IEC 62196-1:2022 applies.

## **15 Resistance to ageing of rubber and thermoplastic material**

Clause 15 of IEC 62196-1:2022 applies.

## **16 General construction**

Clause 16 of IEC 62196-1:2022 applies.

## **17 Construction of EV socket-outlets – General**

Clause 17 of IEC 62196-1:2022 applies.

## **18 Construction of EV plugs and vehicle connectors**

Clause 18 of IEC 62196-1:2022 applies.

## **19 Construction of vehicle inlets**

Clause 19 of IEC 62196-1:2022 applies.

## **20 Degrees of protection**

Clause 20 of IEC 62196-1:2022 applies.

## **21 Insulation resistance and dielectric strength**

Clause 21 of IEC 62196-1:2022 applies.

## **22 Breaking capacity**

Clause 22 of IEC 62196-1:2022 applies.

## **23 Normal operation**

Clause 23 of IEC 62196-1:2022 applies.

## **24 Temperature rise**

Clause 24 of IEC 62196-1:2022 applies, except as follows:

### **24.1 Addition:**

*Add, after the seventh paragraph of the existing text, i.e., "Non-rewirable accessories are tested as delivered.", the following:*

*For accessories dependent upon a resistor coding to define the accessory's assigned current rating, the test shall be repeated using a set of three samples for each resistor coding value and tested at the maximum current corresponding to that resistor coding value.*

## **25 Flexible cables and their connection**

Clause 25 of IEC 62196-1:2022 applies.

## **26 Mechanical strength**

Clause 26 of IEC 62196-1:2022 applies.

## **27 Screws, current-carrying parts and connections**

Clause 27 of IEC 62196-1:2022 applies.

## **28 Creepage distances, clearances and distances through sealing compound**

Clause 28 of IEC 62196-1:2022 applies.

## **29 Resistance to heat and to fire**

Clause 29 of IEC 62196-1:2022 applies.

## **30 Corrosion and resistance to rusting**

Clause 30 of IEC 62196-1:2022 applies.

## **31 Conditional short-circuit current**

Clause 31 of IEC 62196-1:2022 applies.

## **32 Electromagnetic compatibility (EMC)**

Clause 32 of IEC 62196-1:2022 applies.



### **33 Vehicle drive over**

Clause 33 of IEC 62196-1:2022 applies, except as follows:

**33.3** *Not applicable.*

**33.4** *Not applicable.*

### **34 Thermal cycling**

Clause 34 of IEC 62196-1:2022 applies.

### **35 Humidity exposure**

Clause 35 of IEC 62196-1:2022 applies.

### **36 Misalignment**

Clause 36 of IEC 62196-1:2022 applies.

### **37 Contact endurance test**

Clause 37 of IEC 62196-1:2022 applies.

### **201 Resistor coding**

The vehicle connector and EV plug of configurations type 2 and type 3b and 3c shall be provided with coding resistors ( $R_c$ ) to define the maximum current capability of the cable assembly and vehicle connector and EV plug.

The resistor values and tolerances shall be as specified in IEC 61851-1:2017, Clause B.2.

*Compliance is checked by inspection.*

## **STANDARD SHEETS**

### **CONFIGURATION TYPE 1**

32 A, 250 V AC VEHICLE COUPLER

STANDARD SHEETS 2-I

#### **Overview**

The Standard Sheets 2-I apply to configuration type 1: 32 A, 250 V AC single-phase vehicle couplers.

For configuration type 1, Annex A "Control pilot function through a control pilot circuit using a PWM signal and a control pilot wire" and Annex B "Proximity detection and cable current coding circuits for the basic interface" of IEC 61851-1:2017 shall be applied. +V DC of Table B.1 of IEC 61851-1:2017 shall be a +5 V regulated supply.

The Standard Sheets 2-Ia define the optional latching system.

For details of the locking of the latch, see IEC 62196-3, Standard Sheet 3-IIIc.

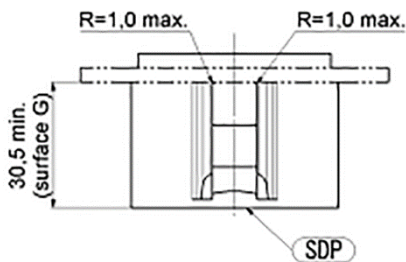
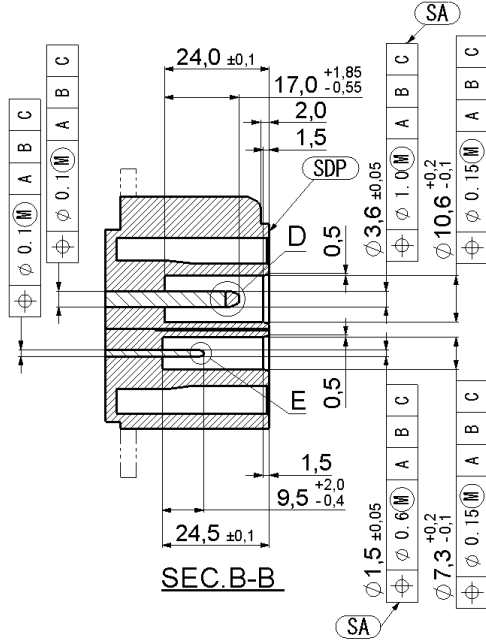
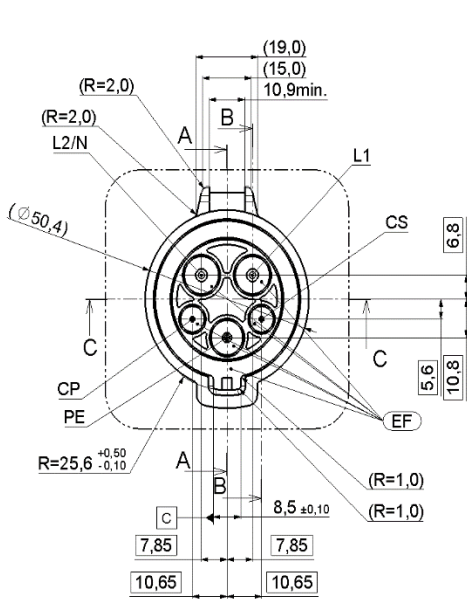
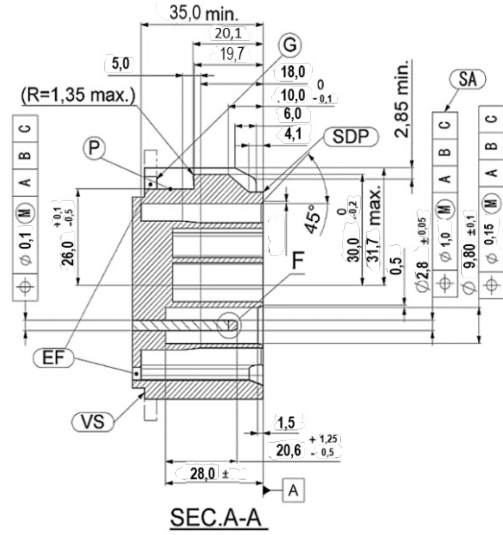
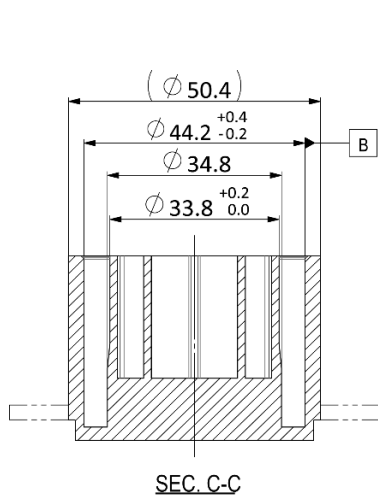
This configuration shall not be used for mode 1 above 150 V line-to-earth.

**CONFIGURATION TYPE 1**

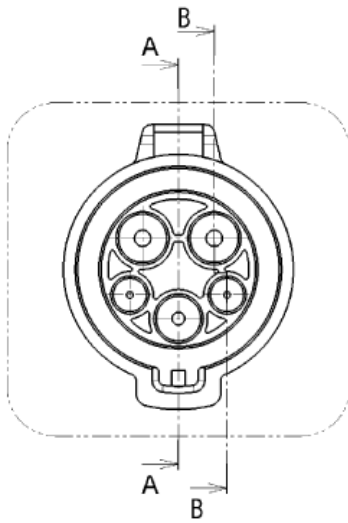
**STANDARD SHEETS 2-I  
VEHICLE INLET RATED 250 V AC UP to 32A**

Sheet 1

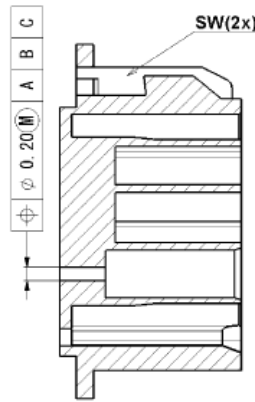
Dimensions in millimetres



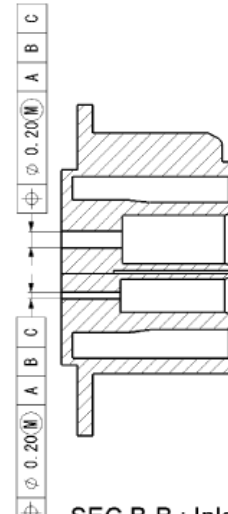
Value in parentheses is for reference



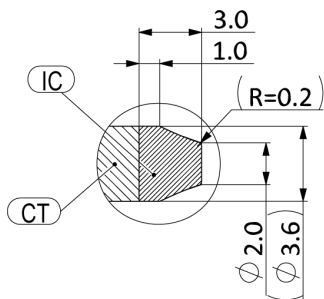
**Inlet Housing Only**



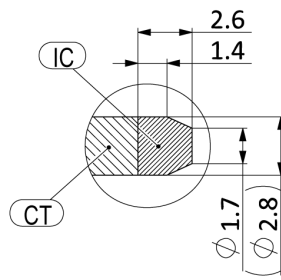
**SEC.A-A : Inlet Housing Only**  
(terminals not shown for clarification)



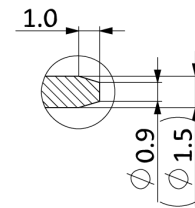
**SEC.B-B : Inlet Housing Only**  
(terminals not shown for clarification)



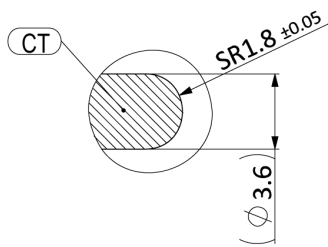
DETAIL D(L1,L2/N) with IC



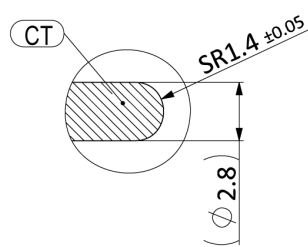
DETAIL F(PE) with IC



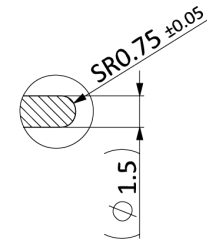
DETAIL E(CP,CS)



DETAIL D(L1,L2/N)  
optional shape



DETAIL F(PE)  
optional shape



DETAIL E(CP,CS)  
optional shape

Value in parentheses is for reference.

General tolerance			
0 max.: ±0,15	50 max.: ±0,2	100 max.: ±0,3	Angle: ±30°

**Key**

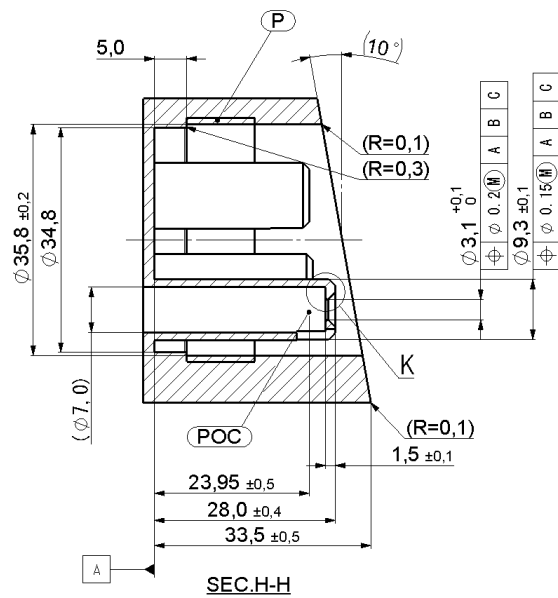
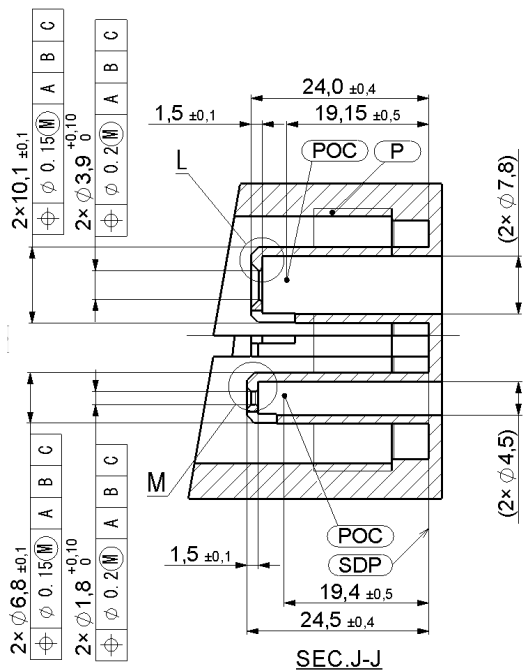
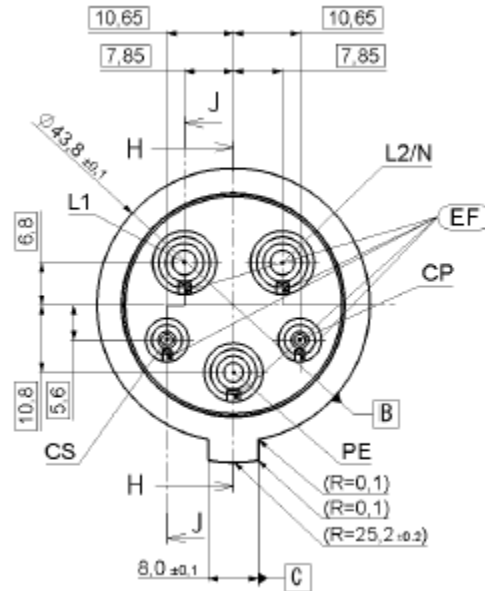
SDP	Standard datum plane	EF	Egress of fluids (if necessary)
G	Surface G (if any)	VS	Vehicle surface
P	Surface P	SW	Optional side wall
IC	Isolated cap (if necessary)	SA	These position tolerances are applicable only for self-aligning contacts
CT	Contact		

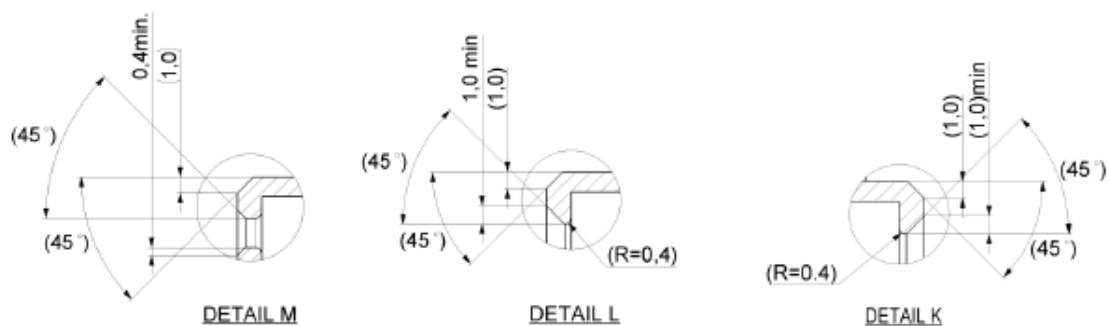
**CONFIGURATION TYPE 1**

**STANDARD SHEETS 2-I  
VEHICLE CONNECTOR**

*Sheet 2 (Continuation of Sheet 1)*

Dimensions in millimetres





Value in parentheses is for reference.

General tolerance			
10 max.: $\pm 0,15$	50 max.: $\pm 0,2$	100 max.: $\pm 0,3$	Angle: $\pm 30^\circ$

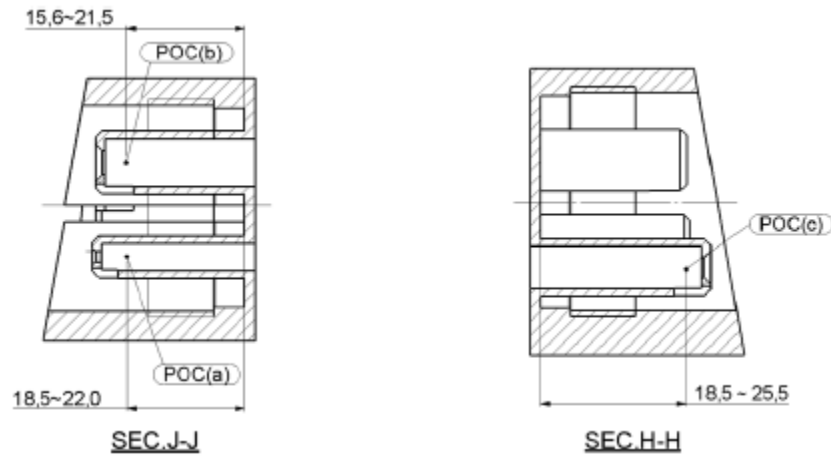
**Key**

- EF Egress of fluids (if necessary)
- P Packing (if necessary) one of sealing method for IP44 when coupled with vehicle inlet
- SDP Standard datum plane of vehicle connector
- POC Point of contact

<https://www.iec.ch>

**CONFIGURATION TYPE 1**STANDARD SHEETS 2-I  
VEHICLE CONNECTOR OPTIONAL CONTACT POINT*Sheet 3 (Continuation of Sheet 2)*

Dimensions in millimetres



Each POC which is decided by the manufacturer shall be within indicated area and fulfil below equations

$$\text{POC(a) max.} - \text{POC(b) min.} \leq 2,9$$

$$\text{POC(c) max.} - \text{POC(b) max.} \geq 2,9$$

Value in parentheses is for reference

General tolerance			
10 max.: ±0,15	50 max.: ±0,2	100 max.: ±0,3	Angle: ±30°

**Key**

POC(a)	Point of contact for signal
POC(b)	Point of contact for power
POC(c)	Point of contact for PE

**CONFIGURATION TYPE 1**

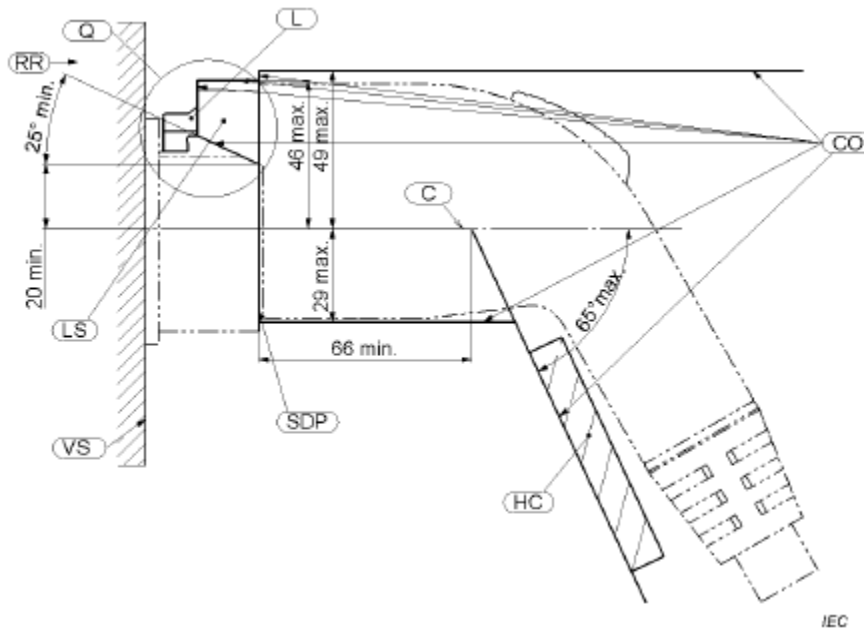
**STANDARD SHEETS 2-1  
VEHICLE CONNECTOR  
RETAINING MEANS FOR IP44 VEHICLE COUPLER**

**MAXIMUM DIMENSIONS OF BODY OUTLINE**

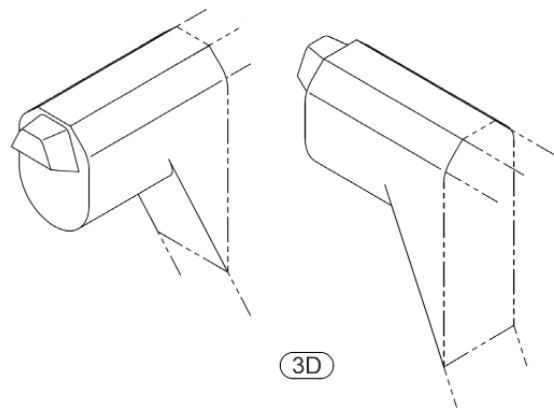
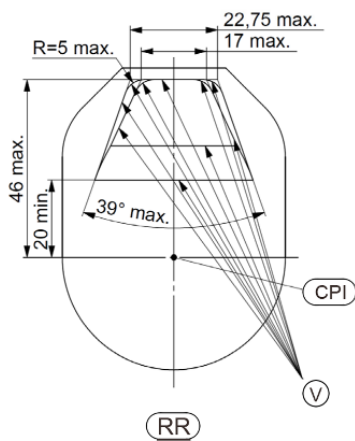
*Sheet 4 (Continuation of Sheet 3)*

Latch shown in latched position

Dimensions in millimetres



Side view of vehicle coupler





**Key**

CO	Vehicle connector body shape shall be within these solid lines
C	Centre line of vehicle inlet
SDP	Standard datum plane of vehicle inlet
LS	Shroud of latch (if any)
VS	Vehicle surface
L	Latch
V	Shroud of latch shape (if any) shall be within these solid lines. Latch shall not extend beyond this profile when it is in fully "open" position.
Q	See continuation
RR	View RR indicates the shroud shape, if any
3D	3D view
HC	Hand clearance or no-fly zone (area between the "vehicle connector body shape" solid lines) should accommodate user's hand during mating and unmating of the connector and inlet

The sketches are not intended to govern the design of the vehicle connector body and latch shape except for the dimensions shown.

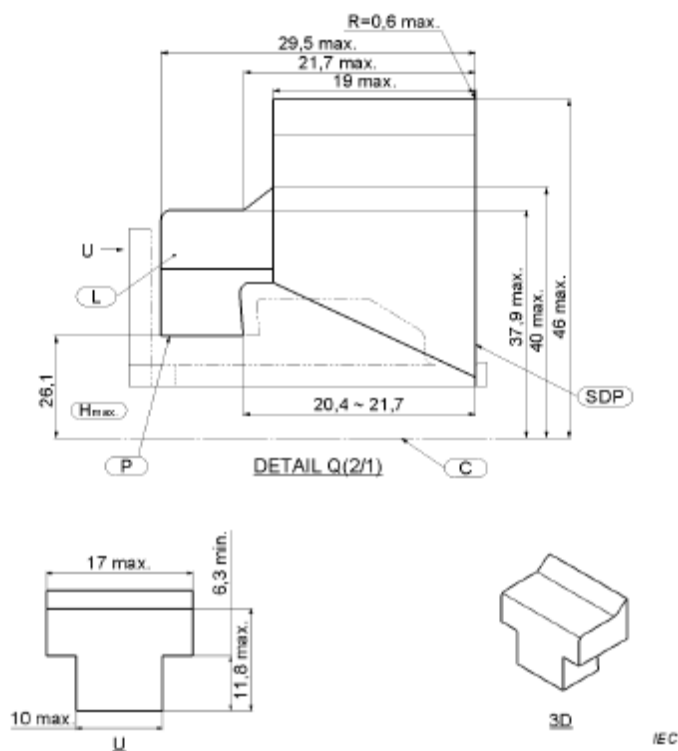
**CONFIGURATION TYPE 1**

**STANDARD SHEETS 2-1  
MAXIMUM OUTLINE OF LATCH**

*Sheet 5 (Continuation of Sheet 4)*

Latch shown touching surface P

Dimensions in millimetres



The sketches are not intended to govern the design of the latch shape except for the dimensions shown.

**Key**

- C Centre line of vehicle inlet
- $H_{max.}$  Maximum height of surface P (see section A-A of Standard Sheet 2-1)
- L Latch
- P Surface P
- SDP Standard datum plane of vehicle inlet

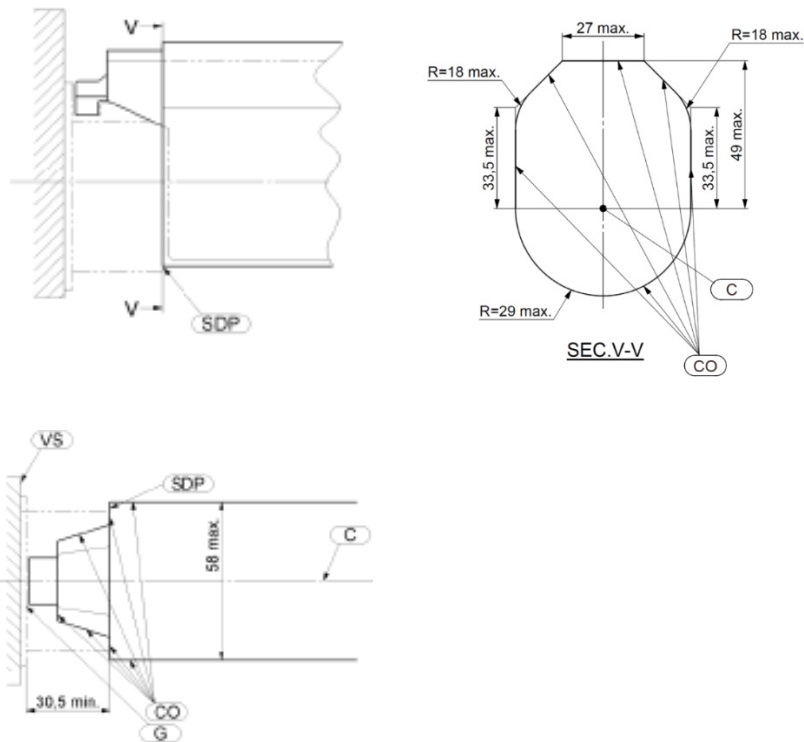
IEC

**CONFIGURATION TYPE 1**

STANDARD SHEETS 2-I  
VEHICLE CONNECTOR  
MAXIMUM DIMENSIONS OF BODY AND LATCH OUTLINE

Sheet 6 (Continuation of Sheet 5)

Dimensions in millimetres



The sketches are not intended to govern the design of the vehicle connector body and latch shape except for the dimensions shown.

**Key**

G	Surface G (if any)
SDP	Standard datum plane of vehicle inlet
C	Centre point of vehicle inlet
CO	Vehicle connector body shape shall be within these solid lines
VS	Vehicle surface

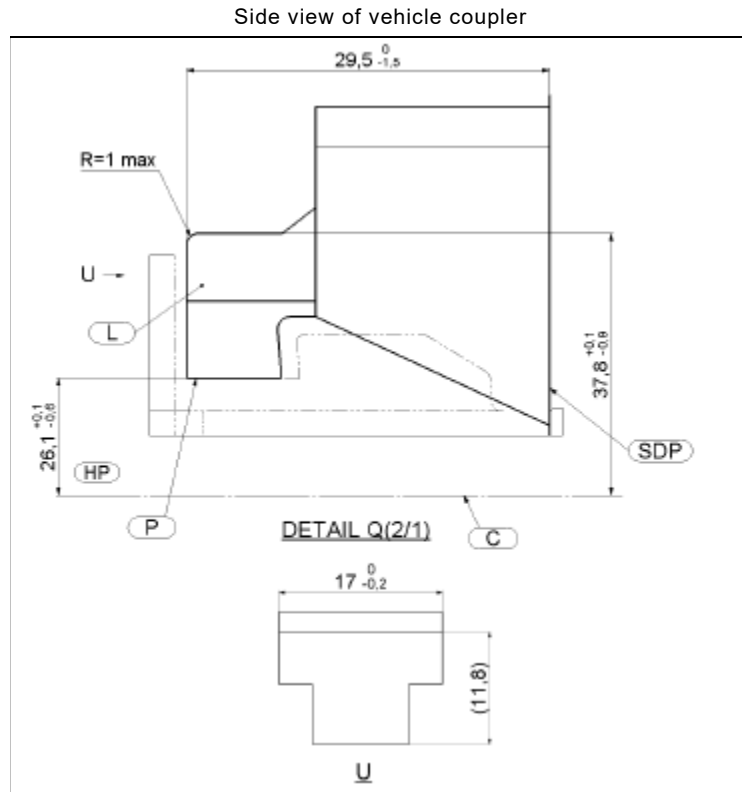
**CONFIGURATION TYPE 1**

**STANDARD SHEETS 2-1a  
VEHICLE CONNECTOR OPTIONAL LOCKING SYSTEM  
MAXIMUM OUTLINE OF LATCH**

*Sheet 1*

Latch shown in latched position

Dimensions in millimetres



The sketches are not intended to govern the design of the vehicle connector body and latch shape except for the dimensions shown.

**Key**

- C            Centre line of vehicle inlet
- HP           Centre point of vehicle inlet
- L            Latch
- P            Surface P
- SDP        Standard datum plane of vehicle inlet

## CONFIGURATION TYPE 2

63 A, 480 V THREE-PHASE OR 70 A, 250 V SINGLE-PHASE ACCESSORIES

STANDARD SHEETS 2-II

### Overview

The Standard Sheets 2-II apply to configuration type 2: 63 A, 480 V AC three-phase and 70 A, 250 V AC single-phase accessories.

For all ratings of configuration type 2 (see 6.2), the following specifications are applicable:

Interlocking and latching of the accessories is mandatory to prevent them from unintentional separation and breaking under load. The interlocking shall ensure that the energy transmission is stopped before separation.

NOTE Interlocking can be performed by mechanical or electromechanical means.

The interlocking means shall offer a feedback to show that the mechanism is in correct engagement. At least one latching means shall be provided.

The feedback can be offered for example by a supplementary contact.

The pilot contact (CP) shall be used according to IEC 61851-1:2017, Annex A. The proximity detection contact (PP) shall be used according to IEC 61851-1:2017, Clause B.2.

+V of Figure B.2 of IEC 61851-1:2017 shall be a +5 V regulated supply.

Interoperability of configuration type 2 accessories is indicated in Table 204.

**Table 204 – Interoperation of configuration type 2 accessories**

Accessory <sup>a</sup>	EV plug (mode 3) Sheet 2-IIb	Vehicle inlet (all modes) Sheet 2-IId	Vehicle inlet (modes 2 and 3) Sheet 2-IIf
EV socket-outlet (mode 3) Sheet 2-IIa	Yes	n.a. <sup>d</sup>	n.a. <sup>d</sup>
Vehicle connector (mode 1) Sheet 2-IIc	No <sup>b</sup>	Yes	No <sup>b</sup>
Vehicle connector (modes 2 and 3) Sheet 2-IIe	No <sup>c</sup>	Yes	Yes
<sup>a</sup> Type 2 accessories shall only be used in the modes as listed in this Table 204. <sup>b</sup> Interoperability excluded by mechanical coding. <sup>c</sup> Interoperability excluded by gap in control pilot circuit. <sup>d</sup> Fixed accessories cannot be connected together.			

Standard Sheets 2-IIg and 2-IIh define packaging rooms to ensure compatibility.

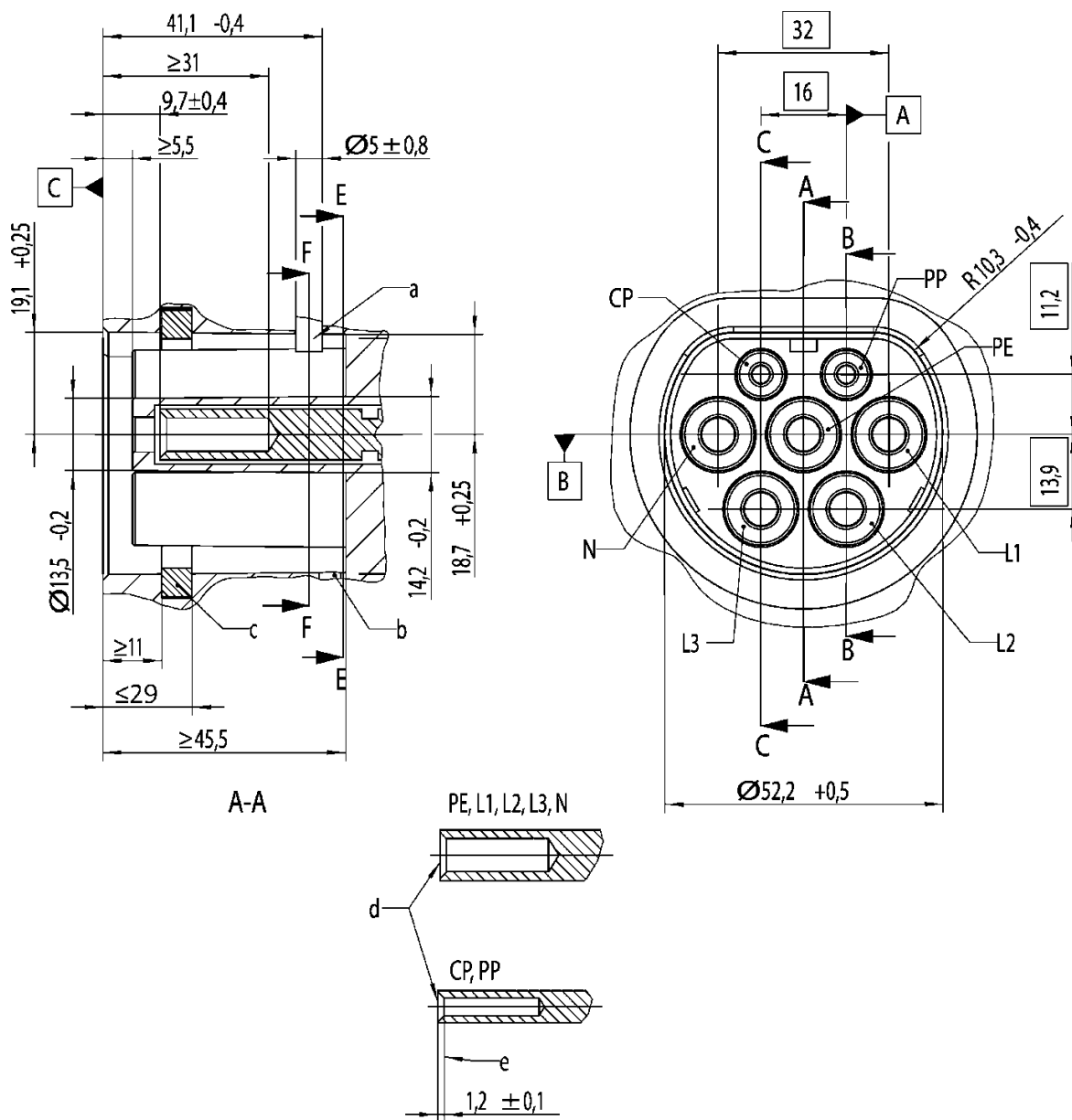
See also Annex A for legacy information.

**CONFIGURATION TYPE 2-II**

**STANDARD SHEETS 2-IIa  
SOCKET-OUTLET**

Sheet 1

Dimensions in millimetres



**Key**

Undimensioned radii: R 0,5 mm to 0,7 mm

- a Latching means construction to customer's decision
- b Optional drain hole
- c Sealing area (optional sealing). See Standard Sheet 2-IIb, Sheet 1.
- d Tip of sleeves chamfered for easy insertion
- e Contact point

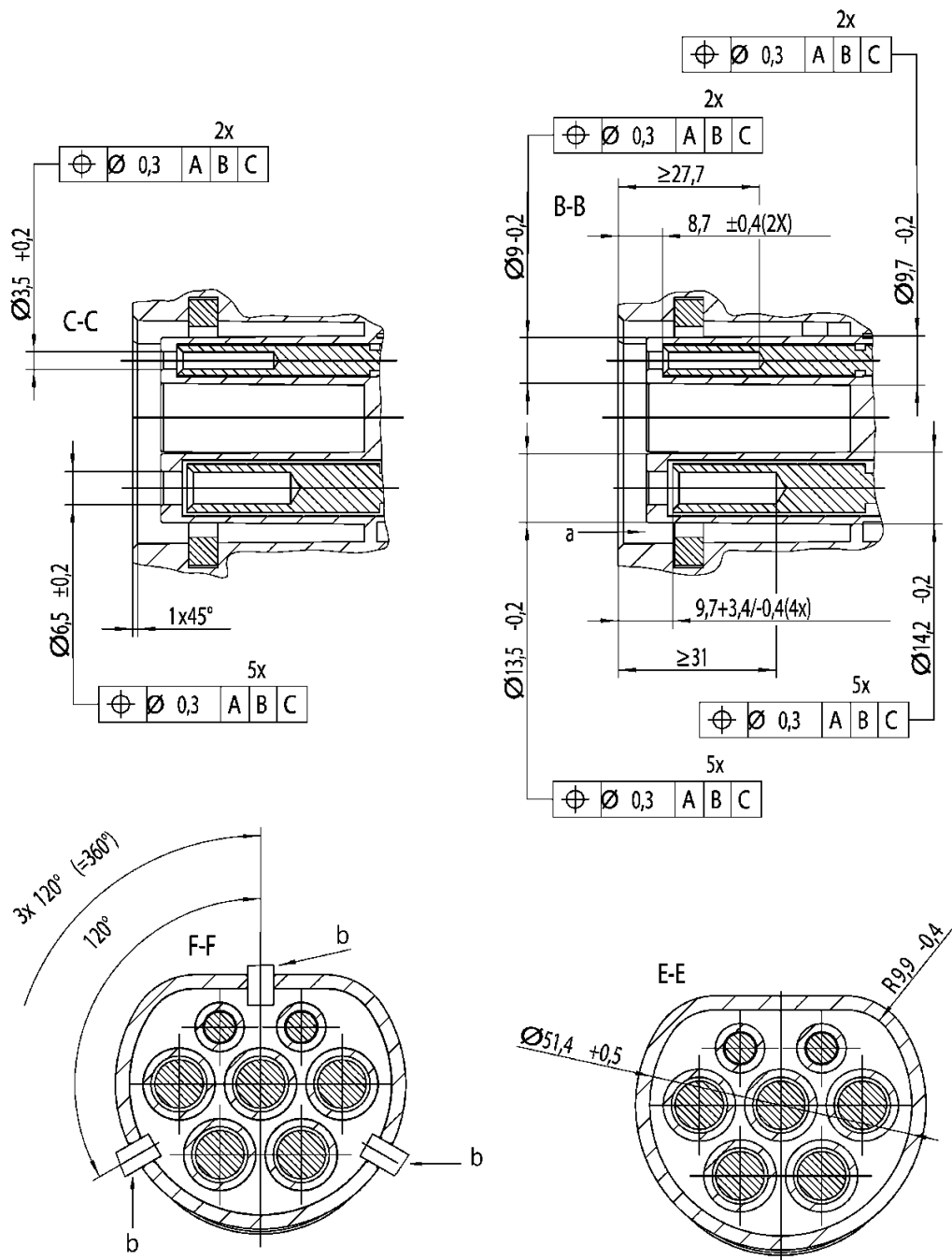
For single-phase socket-outlets, contacts L2 and L3 including the surrounding insulation can be omitted.

## CONFIGURATION TYPE 2-II

STANDARD SHEETS 2-IIa  
SOCKET-OUTLET

Sheet 2 (continuation of Sheet 1)

Dimensions in millimetres



## Key

- a Preferred area for optional shutter. Mechanism can exceed this area.
- b Latching means' positions. At least one latching means provided.

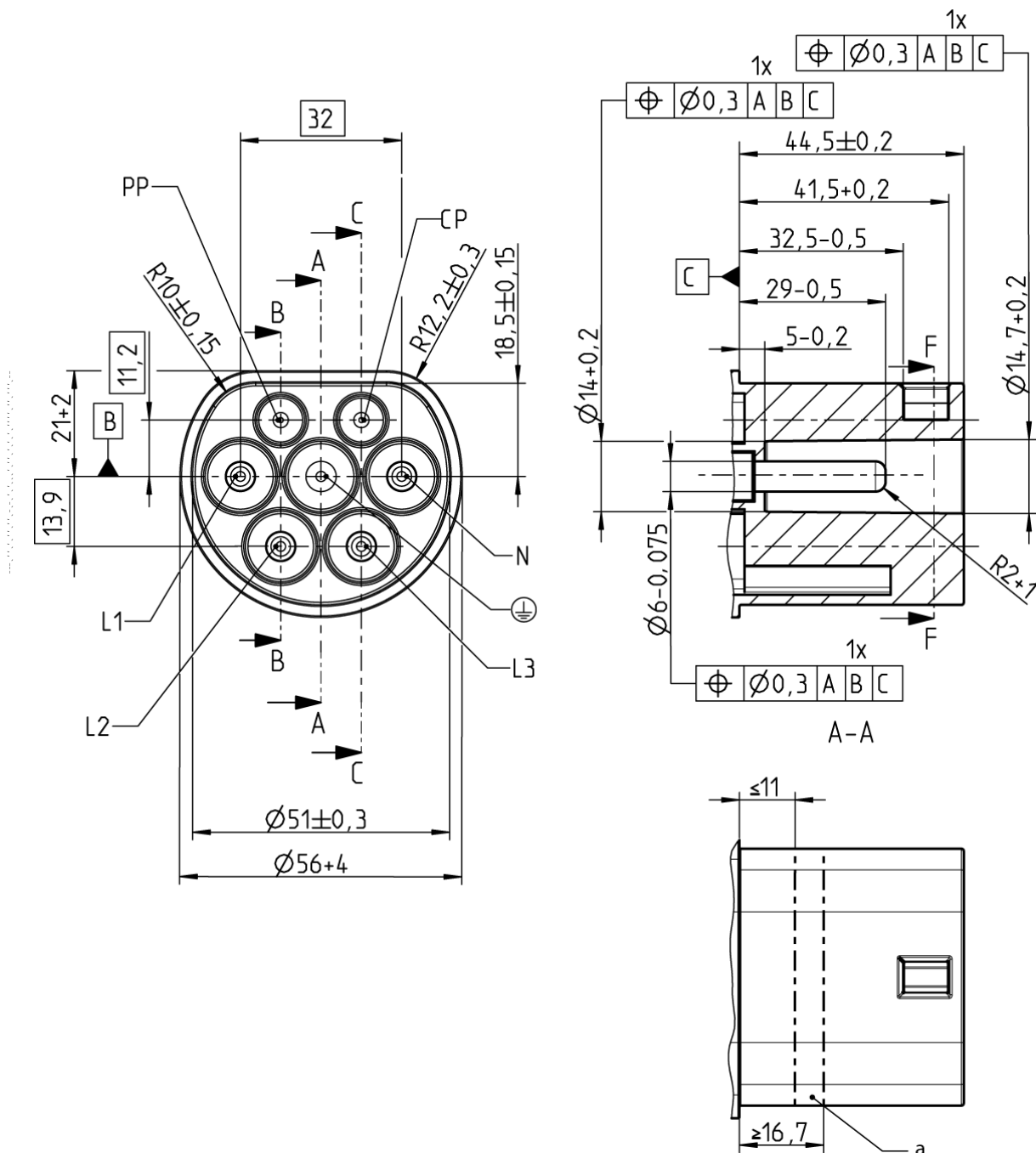
Undimensioned radii: R 0,5 mm to 0,7 mm

**CONFIGURATION TYPE 2-II**

**STANDARD SHEETS 2-IIb  
EV PLUG**

*Sheet 1*

Dimensions in millimetres



**Key**

- a Sealing area, free of sinkage, toolcuts and ejectors
- Surface roughness in sealing area:  $R_a = 0,7 \mu\text{m}$  maximum

For single-phase EV plugs the contacts L2 and L3 can be omitted.

Undimensioned radii: R 0,5 mm to 0,7 mm

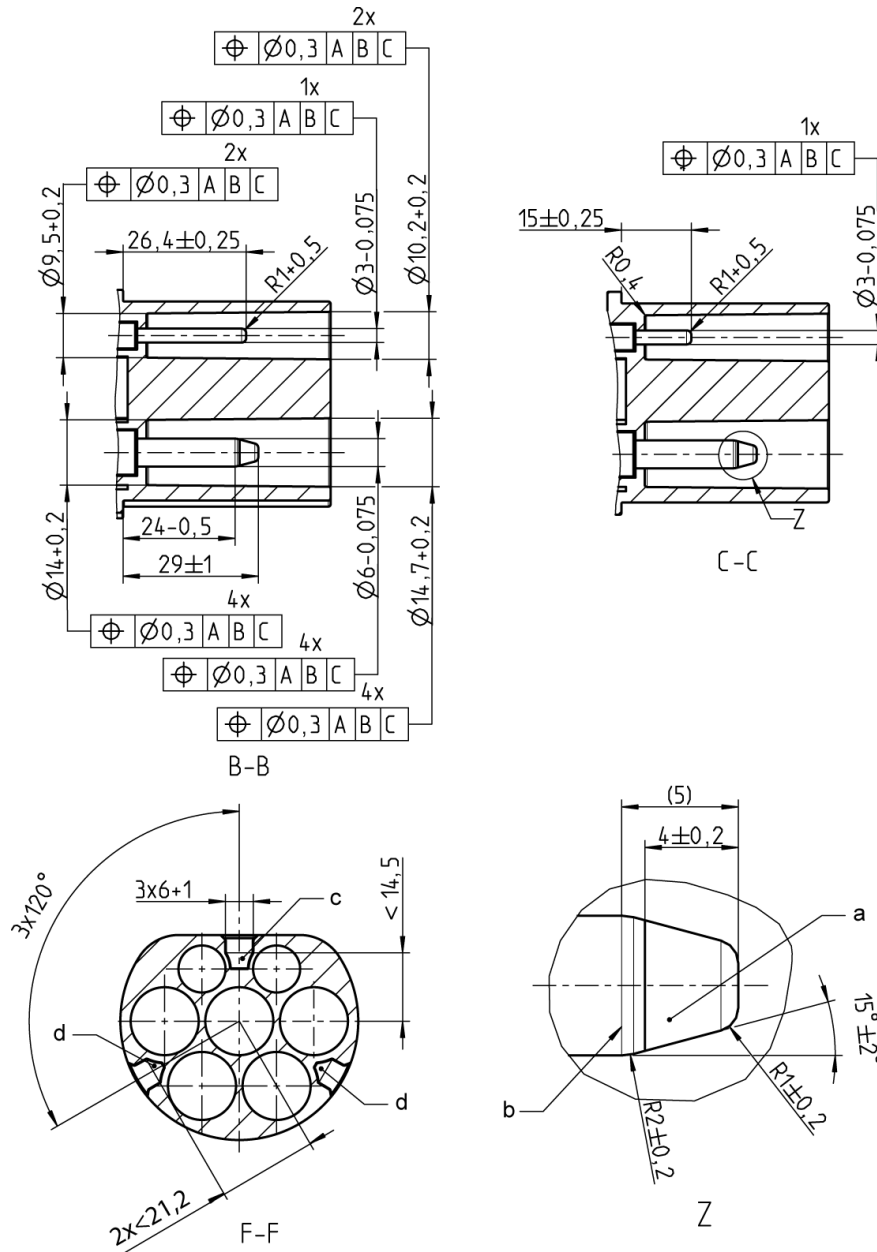


## CONFIGURATION TYPE 2-II

STANDARD SHEETS 2-IIb  
EV PLUG

## Sheet 2 (continuation of Sheet 1)

Dimensions in millimetres



Undimensioned radii: R 0,5 mm to 0,7 mm

## Key

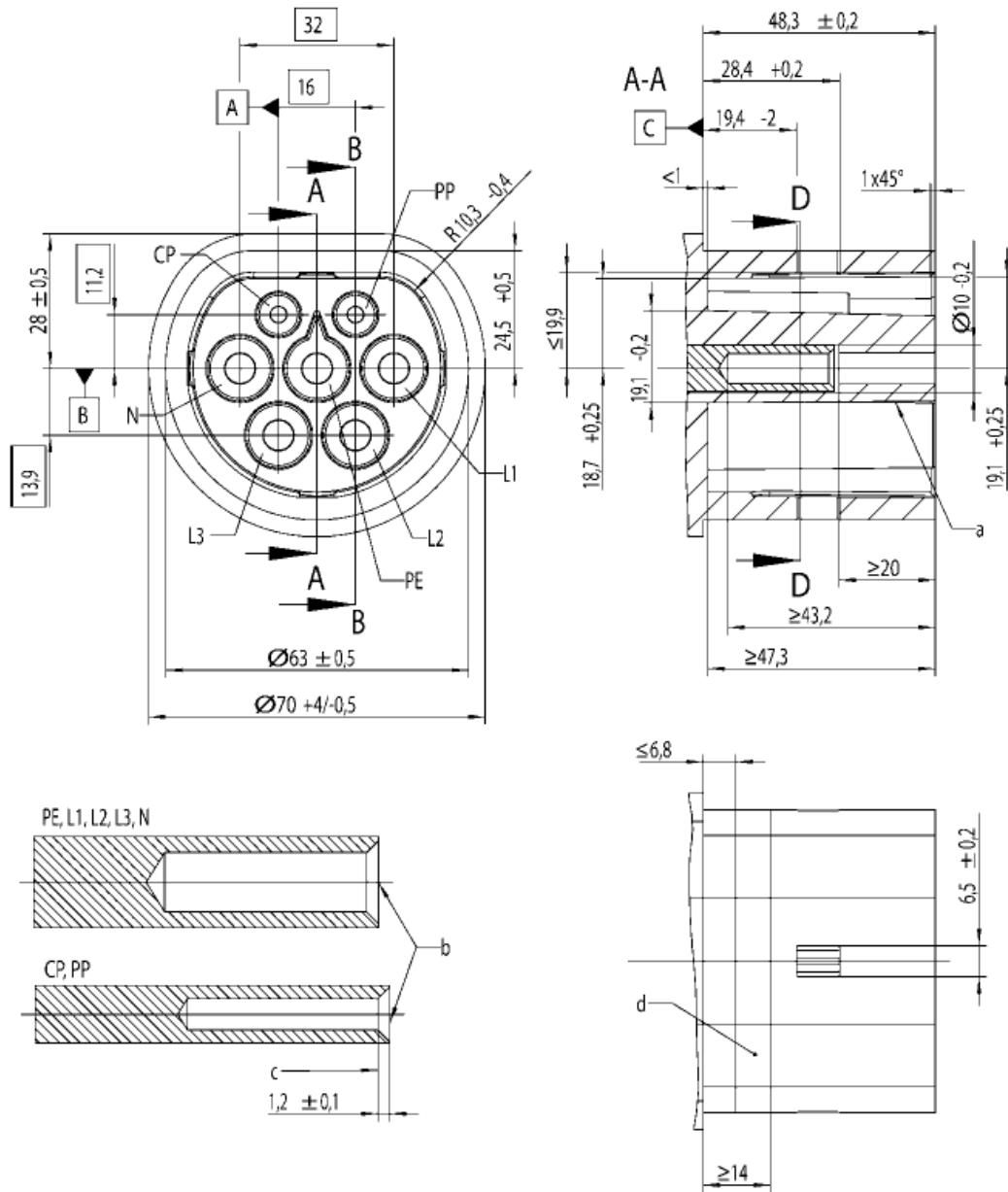
- a Isolated cap
- b No sharp edges acceptable at the transition region
- c The cavity shall have a rectangular shape with smooth edges with the dimensions indicated and shall be within the specified limits over the distance  $< 14,5$  mm. Beyond this, limits of the cavity may have a different shape and different dimensions.
- d The cavity shall have a rectangular shape with smooth edges with the dimensions indicated and shall be within the specified limits over the distance  $< 21,2$  mm. Beyond these limits the cavity may have a different shape and dimension.

**CONFIGURATION TYPE 2-II**

**STANDARD SHEETS 2-IIc  
VEHICLE CONNECTOR**

Sheet 1

Dimensions in millimetres



Undimensioned radii: R 0,5 mm to 0,7 mm

**Key**

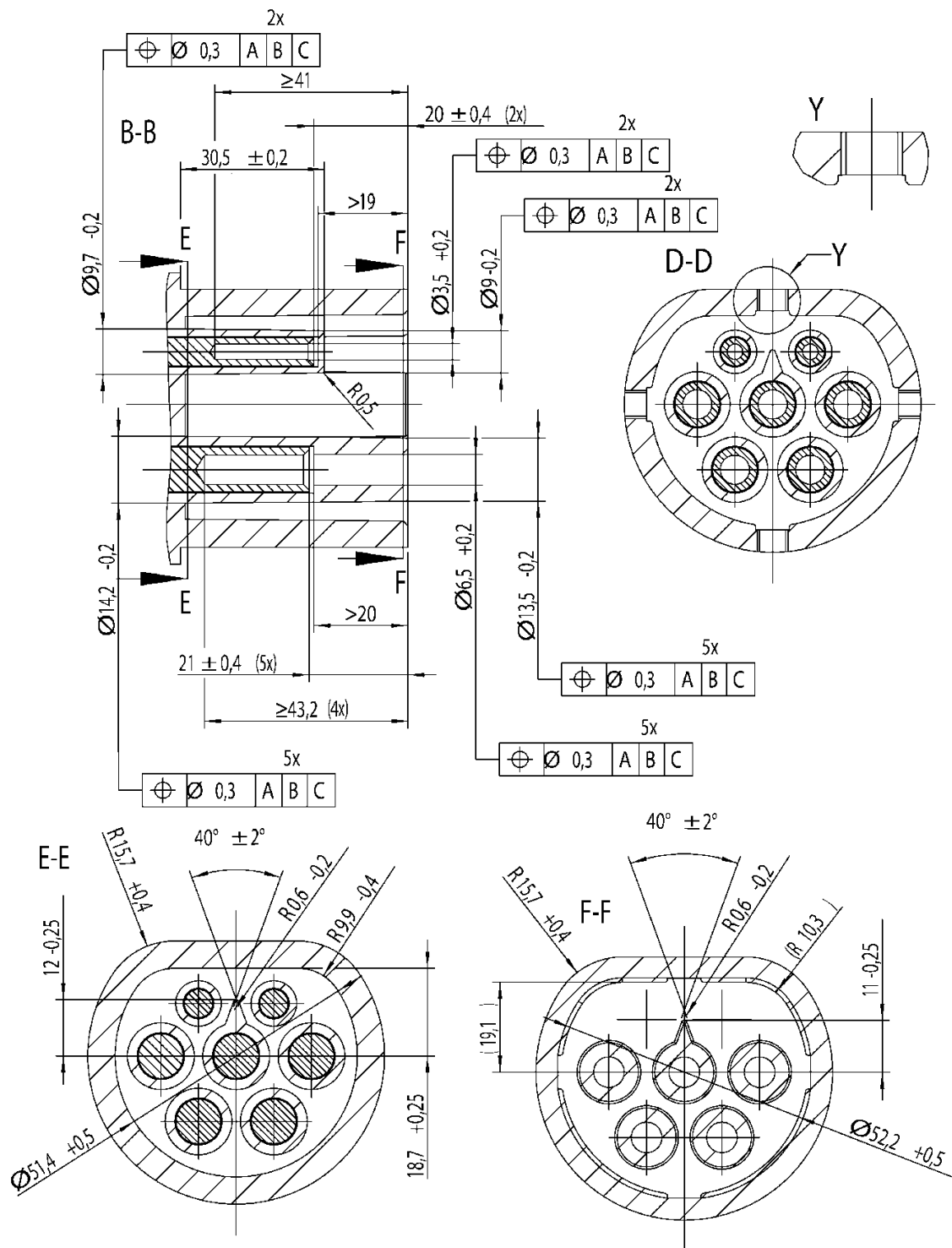
- a All the domes may be shortened by 17,8 mm if a shutter is used
  - b Tip of sleeves chamfered for easy insertion
  - c Contact point
  - d Sealing area free of sinkage, tool cuts and ejectors
- Surface roughness in sealing area:  $R_a = 0,7 \mu\text{m}$
- For single-phase connectors, the contacts L2 and L3 including the surrounding insulation can be omitted

## CONFIGURATION TYPE 2-II

STANDARD SHEETS 2-IIc  
VEHICLE CONNECTOR

Sheet 2 (continuation of Sheet 1)

Dimensions in millimetres



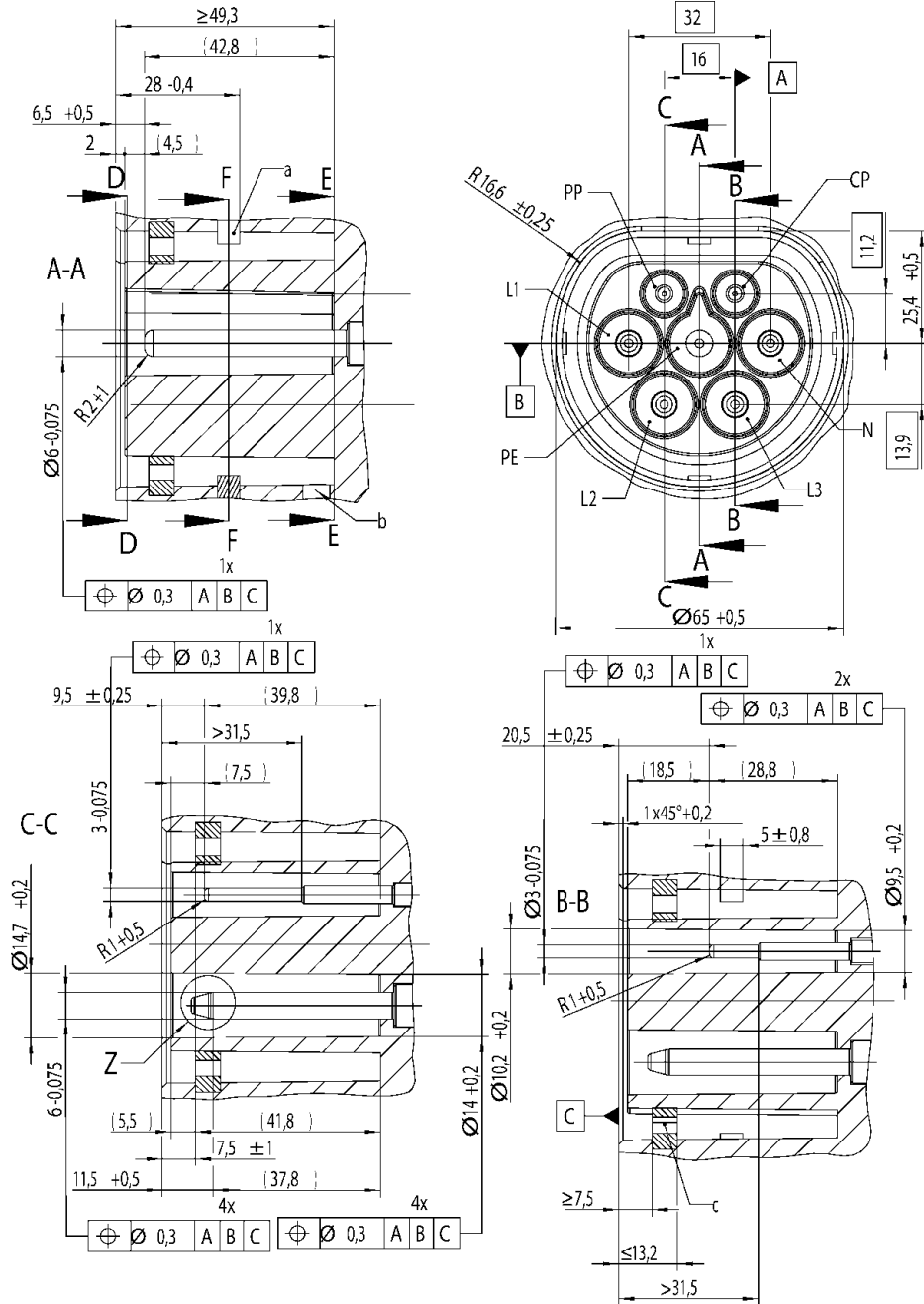
Undimensioned radii: R 0,5 mm to 0,7 mm

**CONFIGURATION TYPE 2-II**

**STANDARD SHEETS 2-II d**  
**VEHICLE INLET**

*Sheet 1*

Dimensions in millimetres



**Key**

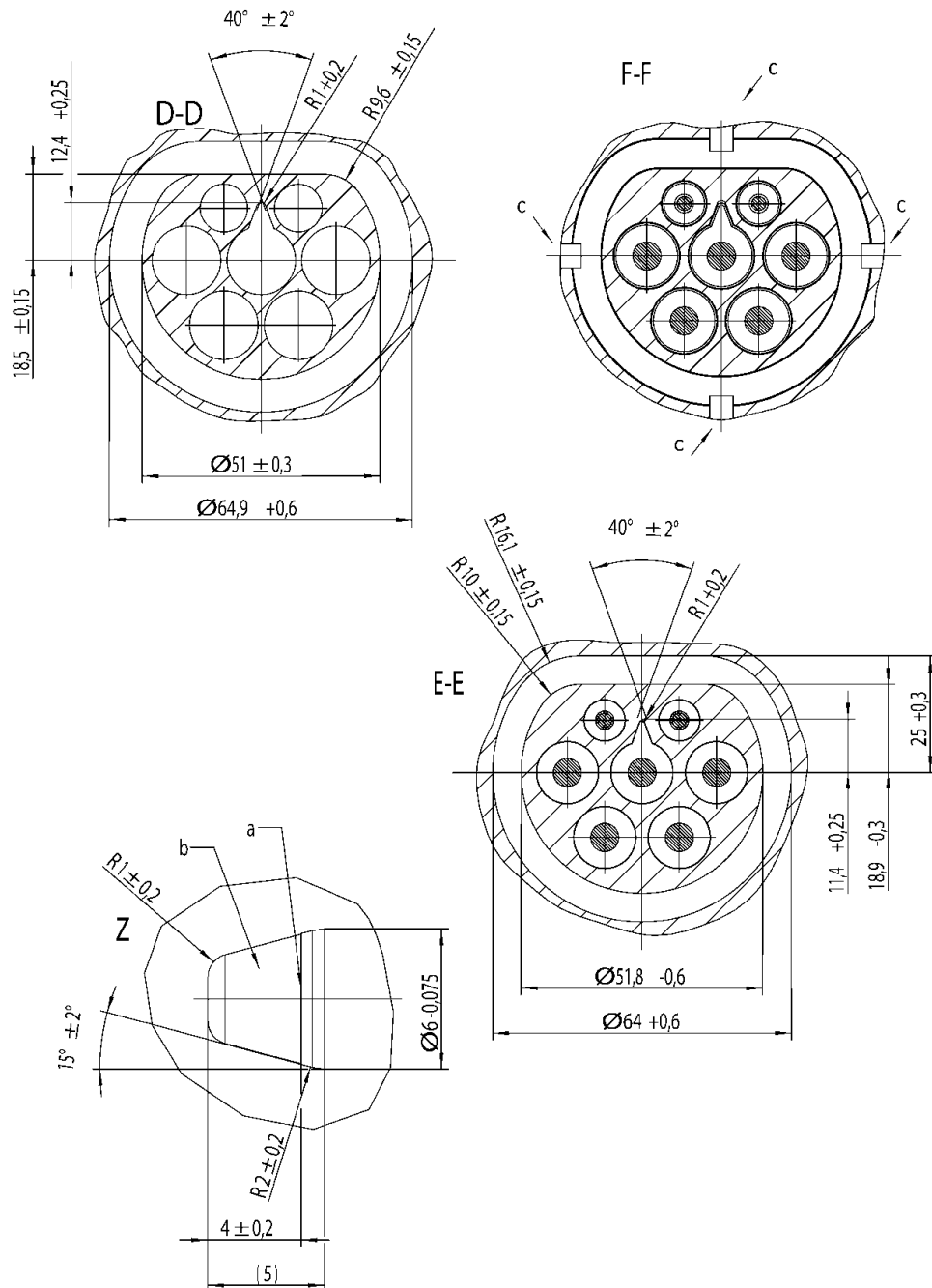
- a Latching means, construction according to customer's decision
- b Optional drain hole
- c Sealing area (optional sealing)

Undimensioned radii: R 0,5 mm to 0,7 mm

For single-phase inlets the contacts L2 and L3 can be omitted.

**CONFIGURATION TYPE 2-II****STANDARD SHEETS 2-II  
VEHICLE INLET***Sheet 2 (continuation of Sheet 1)*

Dimensions in millimetres

**Key**

- a No sharp edges acceptable at the transition region
- b Isolated cap
- c Latching means' positions. At least one latching means provided.

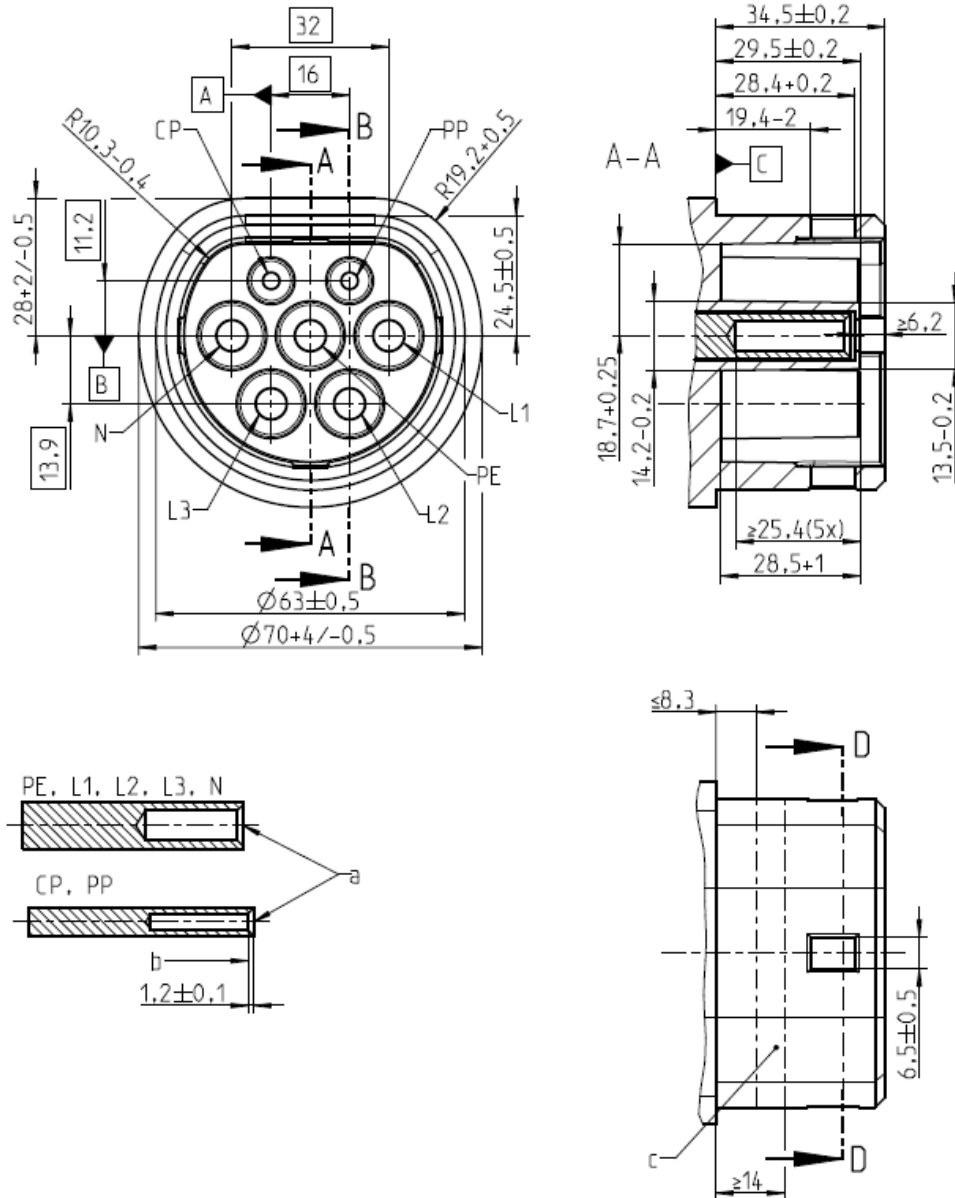
Undimensioned radii: R 0,5 mm to 0,7 mm

**CONFIGURATION TYPE 2-II**

**STANDARD SHEETS 2-IIe  
VEHICLE CONNECTOR**

Sheet 1

Dimensions in millimetres



**Key**

- a Tip of sleeves chamfered for easy insertion
  - b Contact point
  - c Sealing area free of sinkage, toolcuts and ejectors
- Surface roughness in sealing area:  $R_a = 0,7 \mu\text{m}$

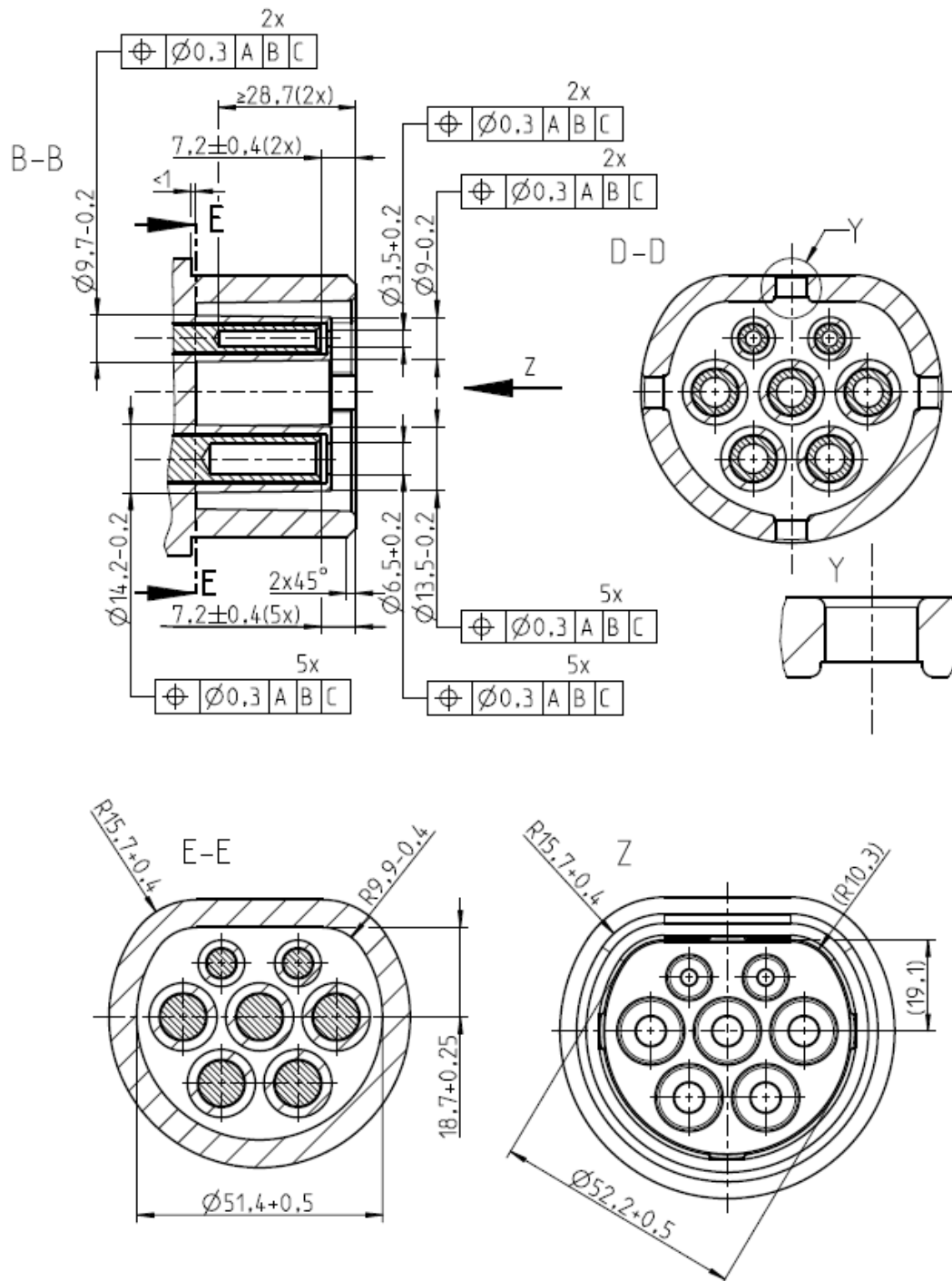
Undimensioned radii: R 0,5 mm to 0,7 mm

For single-phase connectors the contacts L2 and L3 including the surrounding insulation can be omitted.

**CONFIGURATION TYPE 2-II****STANDARD SHEETS 2-IIe  
VEHICLE CONNECTOR**

Sheet 2 (continuation of Sheet 1)

Dimensions in millimetres



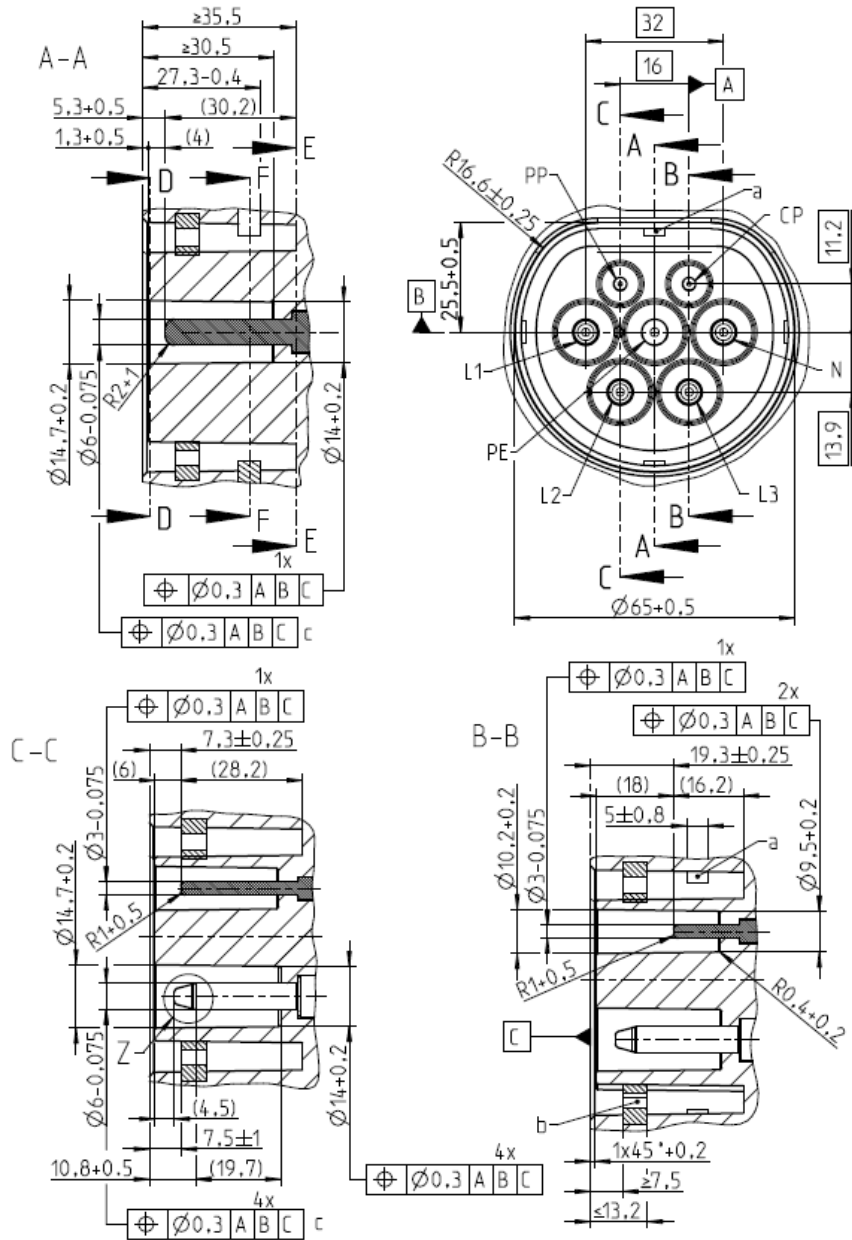
Undimensioned radii: R 0,5 mm to 0,7 mm

**CONFIGURATION TYPE 2-II**

**STANDARD SHEETS 2-II  
VEHICLE INLET**

Sheet 1

Dimensions in millimetres



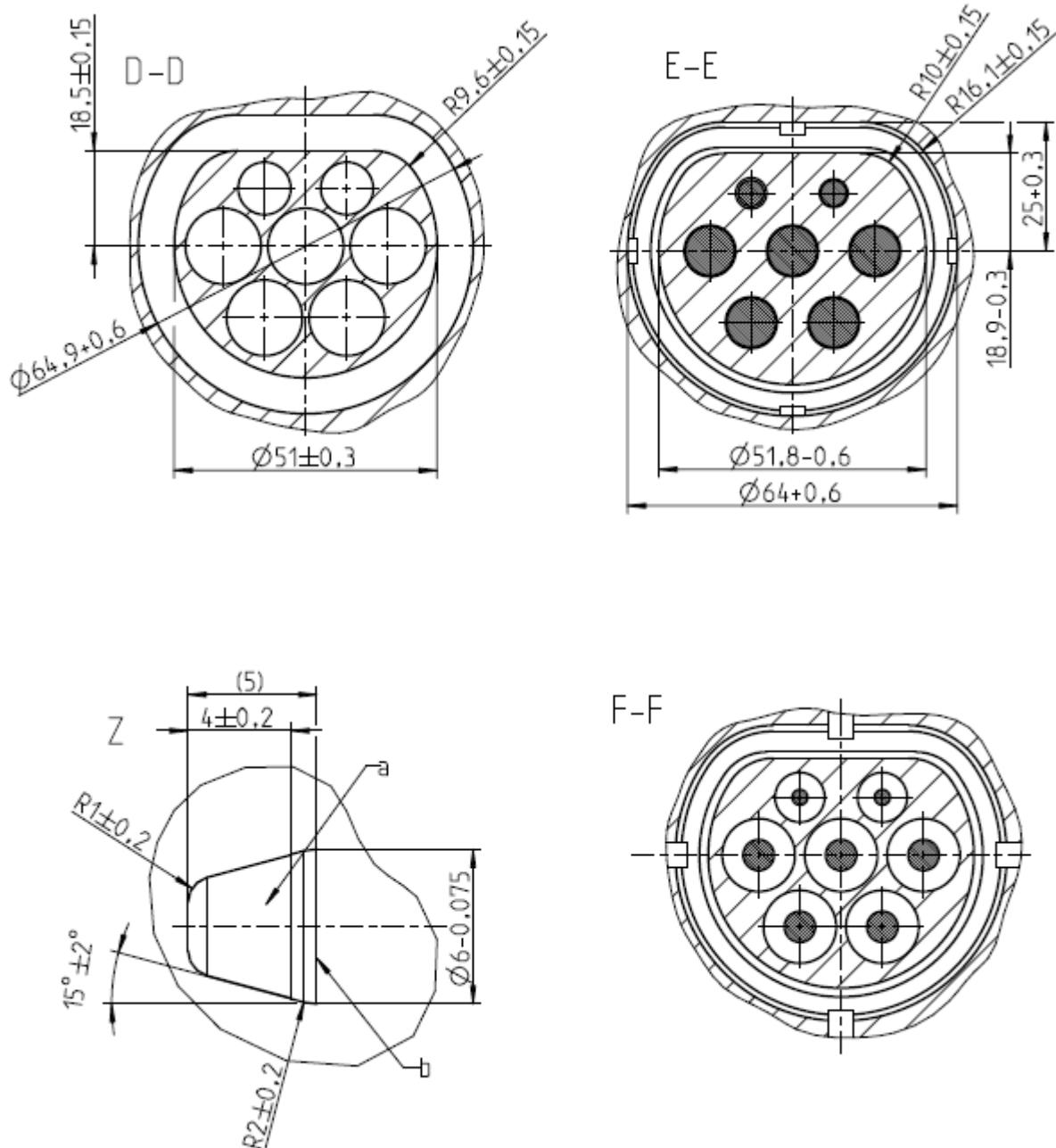
Undimensioned radii: R 0,5 mm to 0,7 mm



**CONFIGURATION TYPE 2-II**STANDARD SHEETS 2-IIif  
VEHICLE INLET

Sheet 2 (continuation of Sheet 1)

Dimensions in millimetres

**Key**

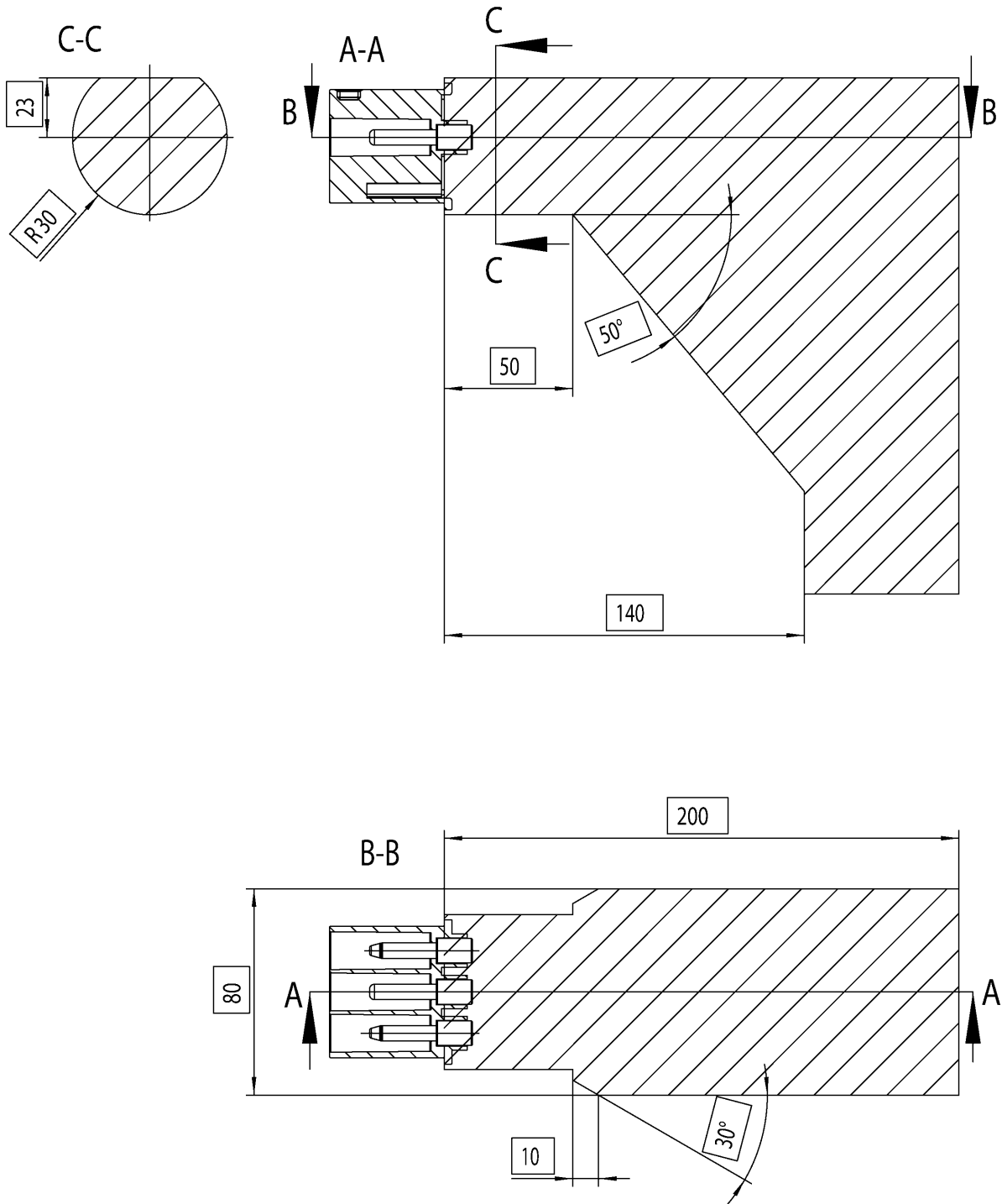
- a Isolated cap
- b No sharp edges acceptable at the transition region
- c Latching means' positions. At least one latching means provided.

Undimensioned radii: R 0,5 mm to 0,7 mm

**CONFIGURATION TYPE 2-II**

**STANDARD SHEETS 2-IIG  
EV PLUG PACKAGING ROOM**

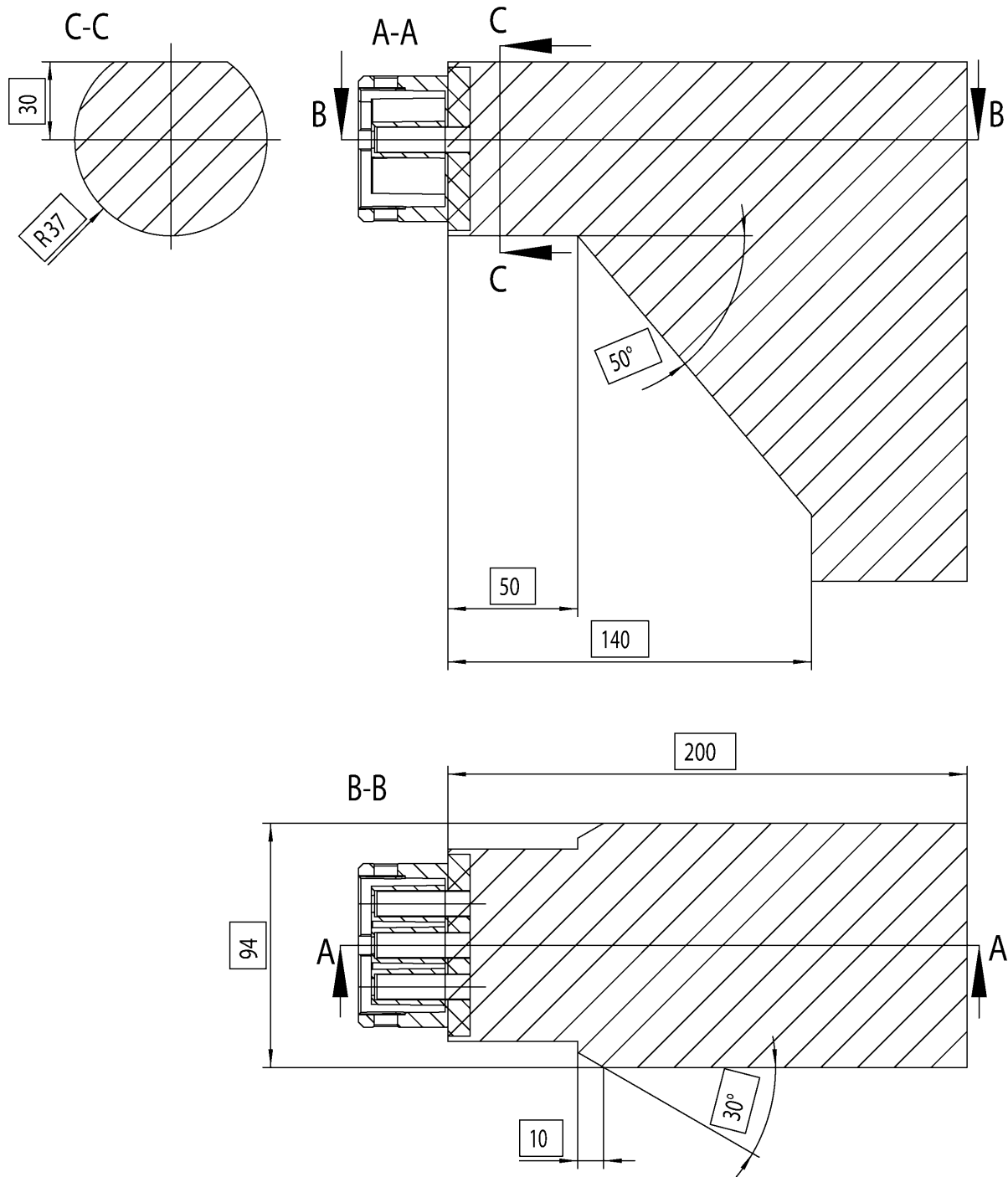
Dimensions in millimetres



EV plug body shape shall be within the shaded area.

**CONFIGURATION TYPE 2-II**  
**STANDARD SHEETS 2-IIh**  
**EV CONNECTOR PACKAGING ROOM**

Dimensions in millimetres



Vehicle connector body shape shall be within the shaded area.

## CONFIGURATION TYPE 3

63 A, 480 V THREE-PHASE ACCESSORIES,  
16 A AND 32 A, 250 V SINGLE-PHASE ACCESSORIES

STANDARD SHEETS 2-III

### Overview

The Standard Sheets 2-III apply to configuration type 3: 63 A, 480 V AC three-phase and 250 V AC single-phase accessories.

For configuration type 3, the following specifications are applicable:

Interlocking of the accessories is provided and it is intended to be used according to the requirements in IEC 61851-1:2017.

Interlocking and latching of accessories rated 63 A is mandatory.

NOTE 1 Interlocking can be performed by mechanical or electromechanical means.

The interlocking means shall offer a feedback to show that the mechanism is in correct engagement.

The pilot contact is intended to be used according to IEC 61851-1:2017, Annex A.

When the PP contact is used for the simultaneous proximity detection and current capability coding of the cable assembly set, the contact is intended to be used according to IEC 61851-1:2017, Clause B.2 (Circuit for simultaneous proximity detection and current coding).

Standard Sheets 2-IIId give the latching means and recommendations for packaging rooms.

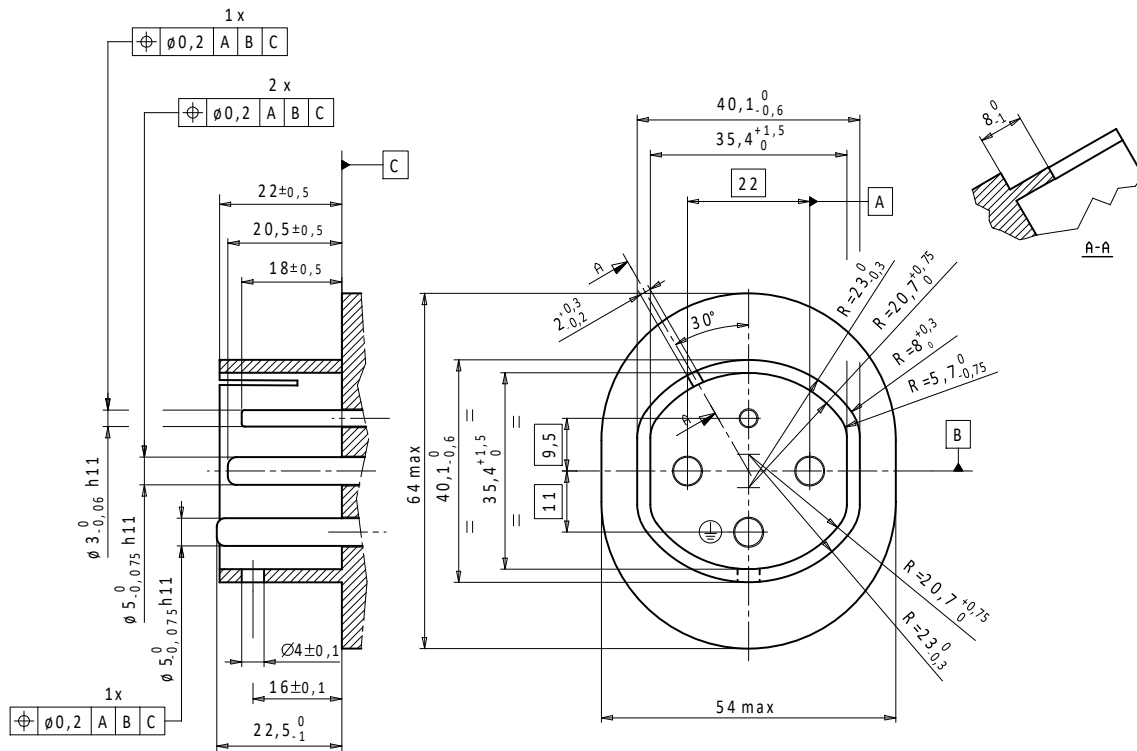
NOTE 2 Keeping EV plugs and vehicle connectors within the shaded areas and keeping any part of EV socket-outlets/vehicle inlets outside the shaded areas will guarantee compatibility.

**CONFIGURATION TYPE 3**

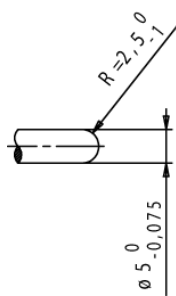
**STANDARD SHEETS 2-IIIa**  
**16 A, 250 V SINGLE-PHASE EV PLUG WITH 1 PILOT CONTACT**

Sheet 1

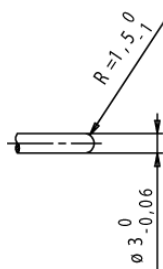
Dimensions in millimetres



**End of pins**

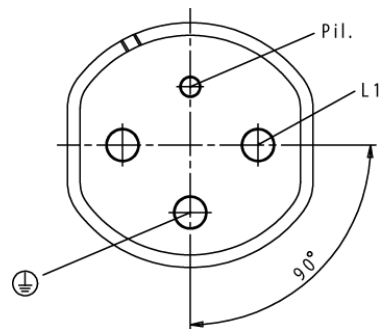


**Earth/Phase/Neutral contacts**



**Pilot**

**Arrangement of pins**



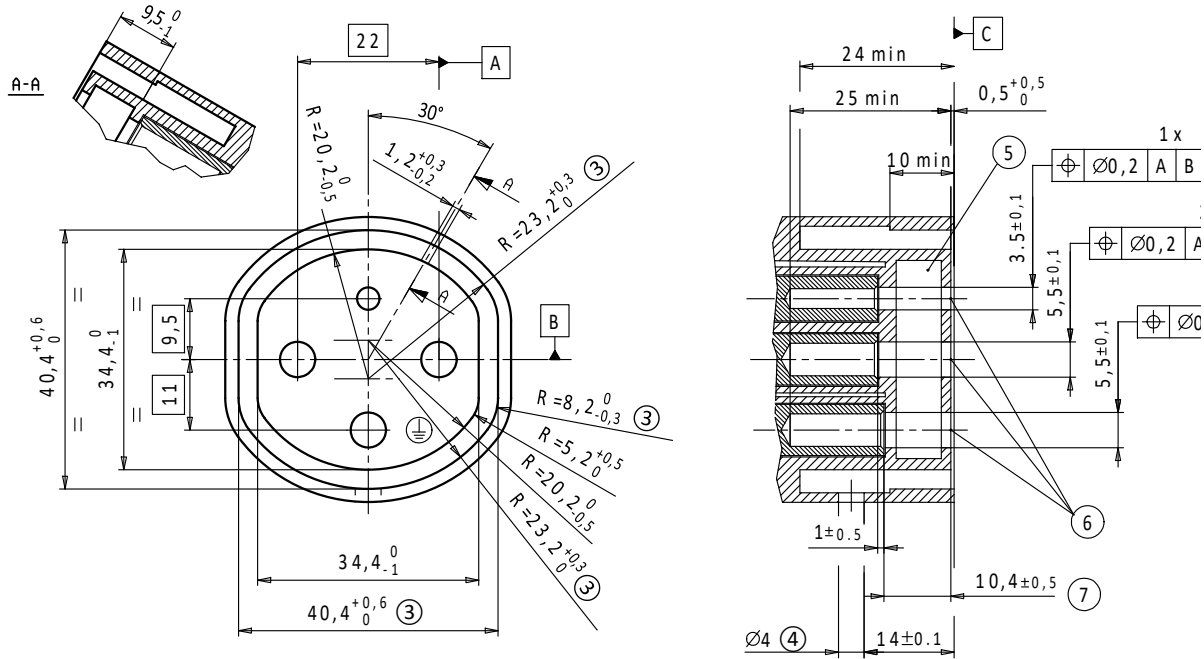
**Front view of pins of plug**

**CONFIGURATION TYPE 3**

**STANDARD SHEETS 2-IIIa**  
**16 A, 250 V SINGLE-PHASE EV SOCKET-OUTLET WITH 1 PILOT CONTACT**

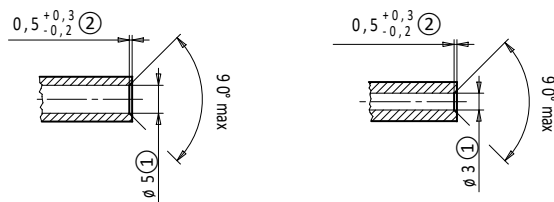
*Sheet 2 (continuation of Sheet 1)*

Dimensions in millimetres



Holes or recesses in the front face, if any, other than those for contact tubes, shall not have a depth of more than 10 mm.

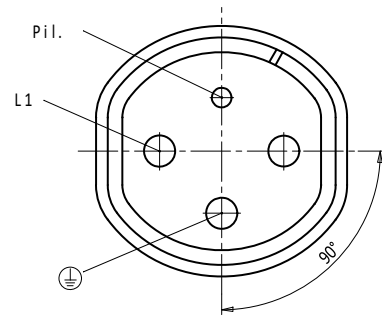
**End of contact tubes**



Earth/Phase/Neutral contacts

Pilot

**Arrangement of contact tubes**



Front view of contact tubes of socket-outlet

**Key**

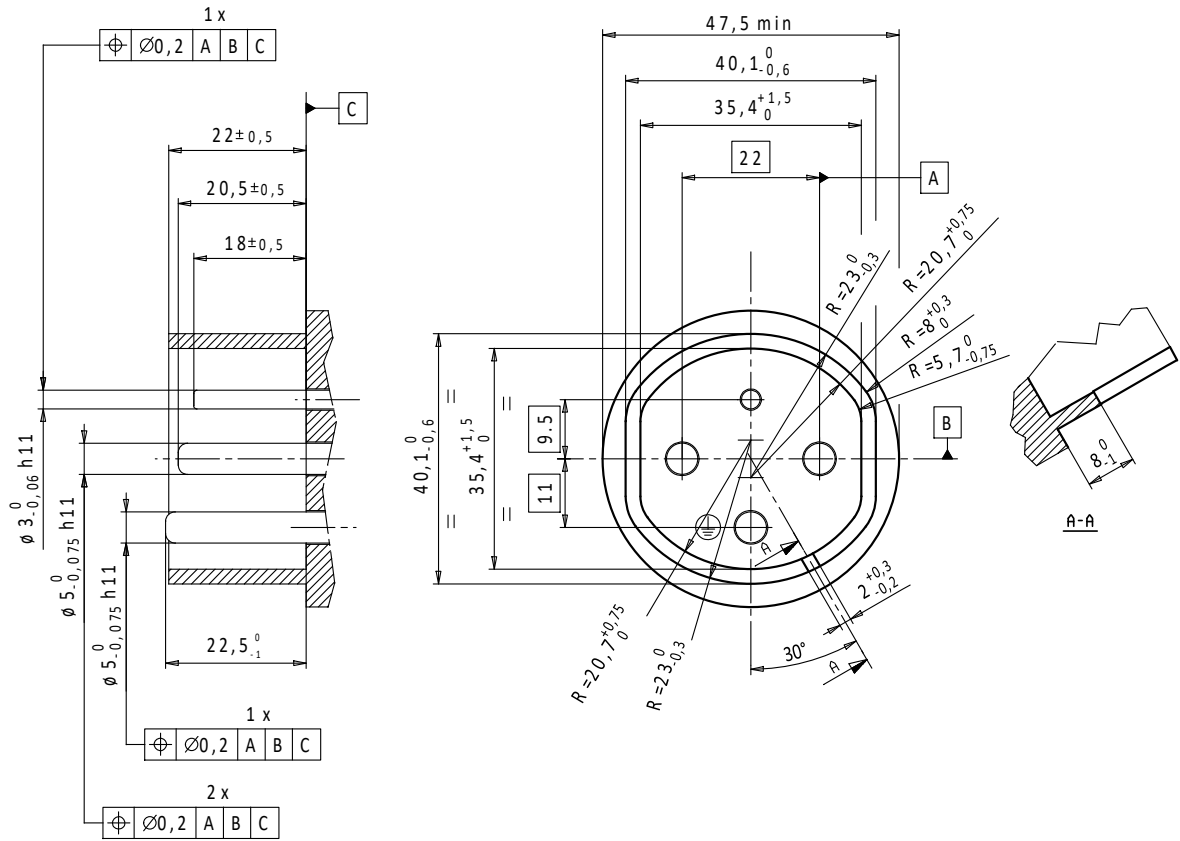
- ① The dimensions refer to the pins; the contact tubes need not be cylindrical.
- ② The bevelling of the contact tubes may be well rounded off towards the internal cylindrical surface within a distance of 1,5 times the indicated values.
- ③ The dimensions indicated shall be within the specified limits within the first 10 mm starting from the datum plane. Beyond this, the specified limits may be larger but not smaller.
- ④ This opening may be a hole with 4 mm diameter minimum or a slot 4 mm minimum width.
- ⑤ Space for shutters. If any, they are compulsory for phase and neutral contact tubes.
- ⑥ Pin entry holes shall be rounded off or bevelled.
- ⑦ This dimension is measured from the extremity of the contact tube.

**CONFIGURATION TYPE 3**

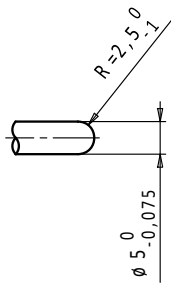
**STANDARD SHEETS 2-IIIa**  
**16 A, 250 V SINGLE-PHASE VEHICLE INLET WITH 1 PILOT CONTACT**

*Sheet 3 (continuation of Sheet 2)*

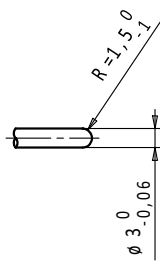
Dimensions in millimetres



**End of pins**

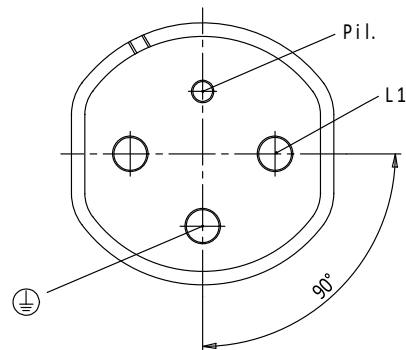


Earth/Phase/Neutral contacts



Pilot

**Arrangement of pins**



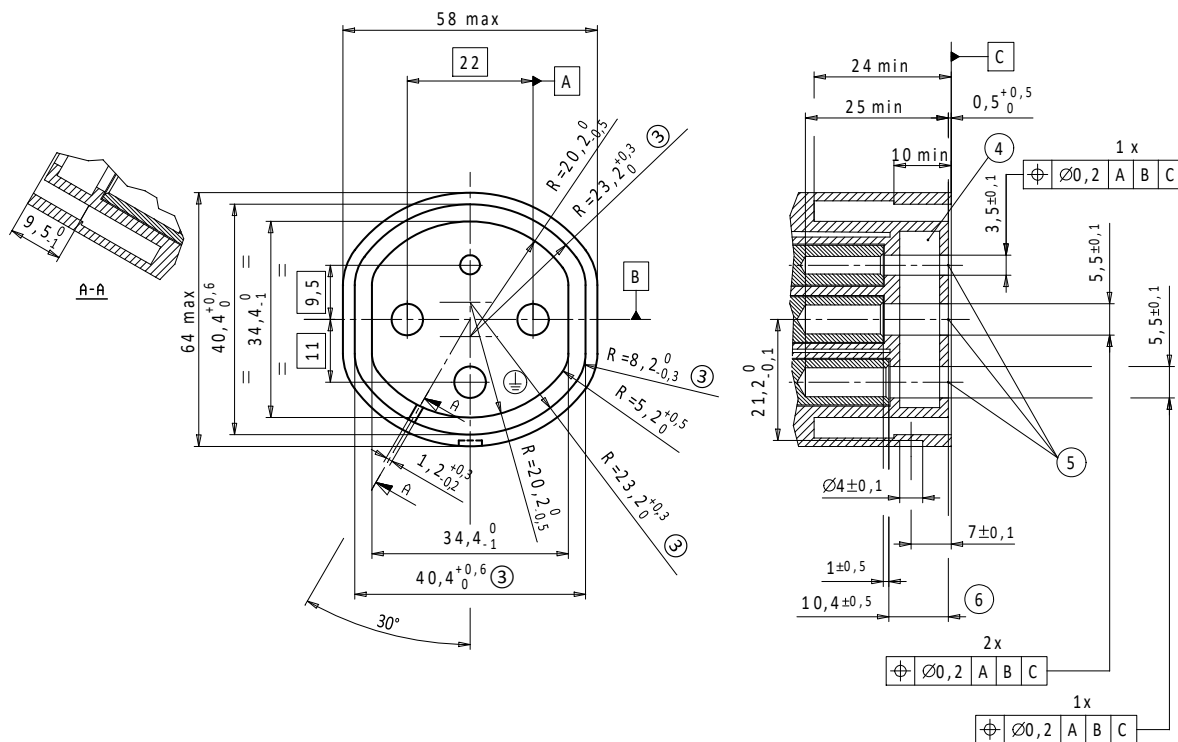
Front view of pins of vehicle inlet

**CONFIGURATION TYPE 3**

**STANDARD SHEETS 2-IIIa**  
**16 A, 250 V SINGLE-PHASE VEHICLE CONNECTOR WITH 1 PILOT CONTACT**

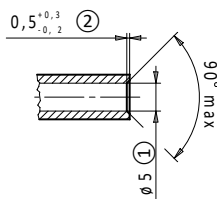
*Sheet 4 (continuation of Sheet 3)*

Dimensions in millimetres

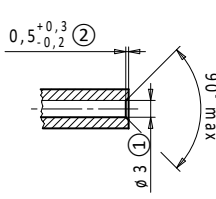


Holes or recesses in the front face, if any, other than those for contact tubes, shall not have a depth of more than 10 mm.

**End of contact tubes**

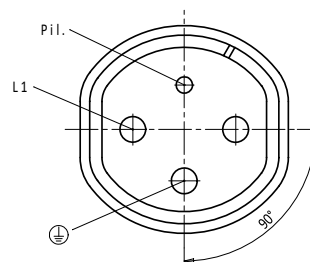


Earth/Phase/Neutral contacts



Pilot contact

**Arrangement of contact tubes**



Front view of contact tubes of vehicle connector

**Key**

- ① The dimensions refer to the pins; the contact tubes need not be cylindrical.
- ② The bevelling of the contact tubes may be well rounded off towards the internal cylindrical surface within a distance of 1,5 times the indicated values.
- ③ The dimensions indicated shall be within the specified limits within the first 10 mm starting from the datum plane. Beyond this, the specified limits may be larger but not smaller.
- ④ This opening may be a hole with 4 mm diameter minimum or a slot 4 mm minimum width.
- ⑤ Space for shutters. If any, they are compulsory for phase and neutral contact tubes.
- ⑥ Pin entry holes shall be rounded off or bevelled.

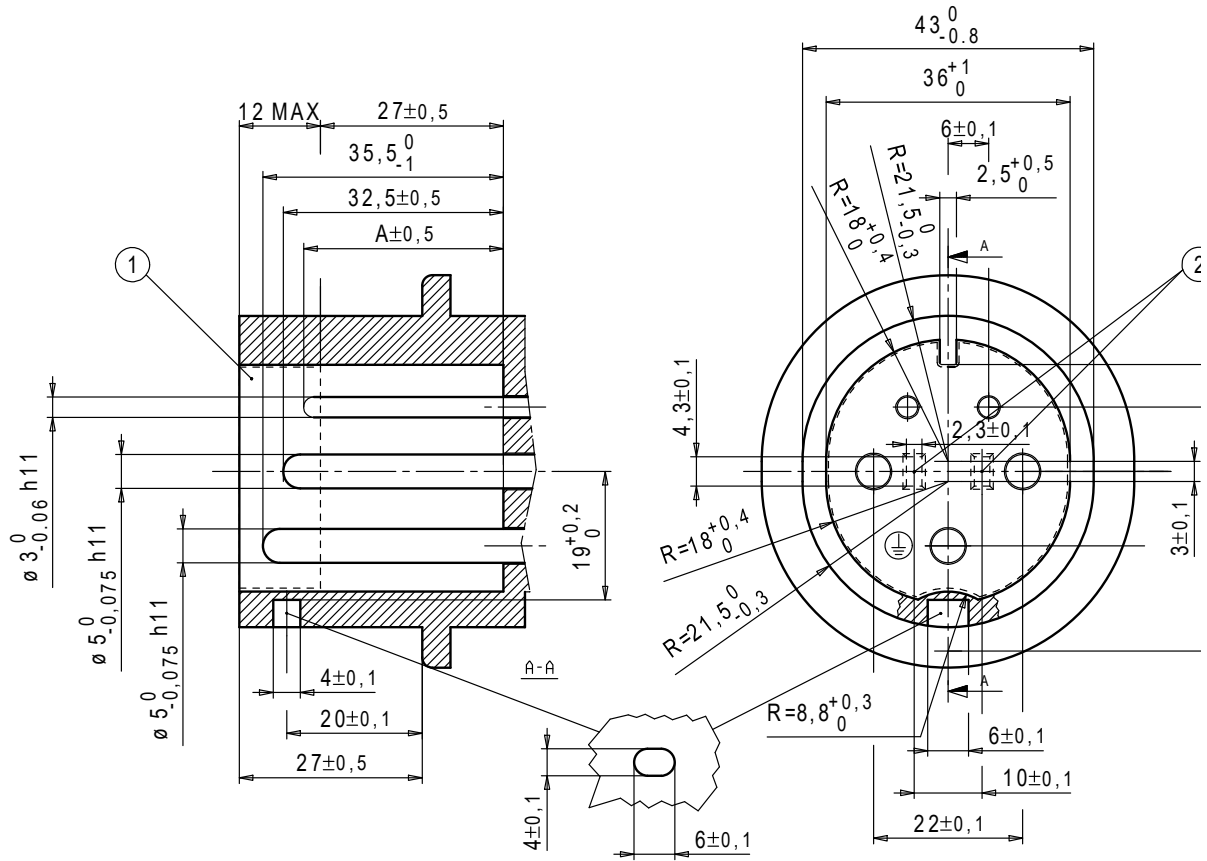


### CONFIGURATION TYPE 3

### STANDARD SHEETS 2-IIIb 32 A, 250 V SINGLE-PHASE EV PLUG WITH 2 PILOT CONTACTS

Sheet 1

Dimensions in millimetres

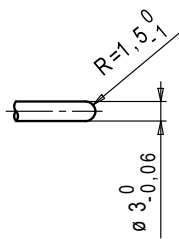
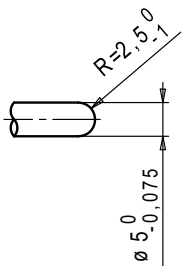


**Key**

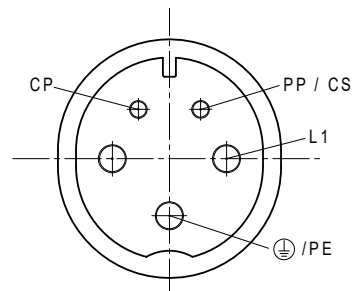
- ① Space for shutters. They are compulsory for phase and neutral contact pins.
- ② Shutter pin entry holes shall be rounded off or bevelled.

Size of pilot contacts	
	A
CP	29,5
PP / CS	34,0

**End of pins**



**Arrangement of pins**



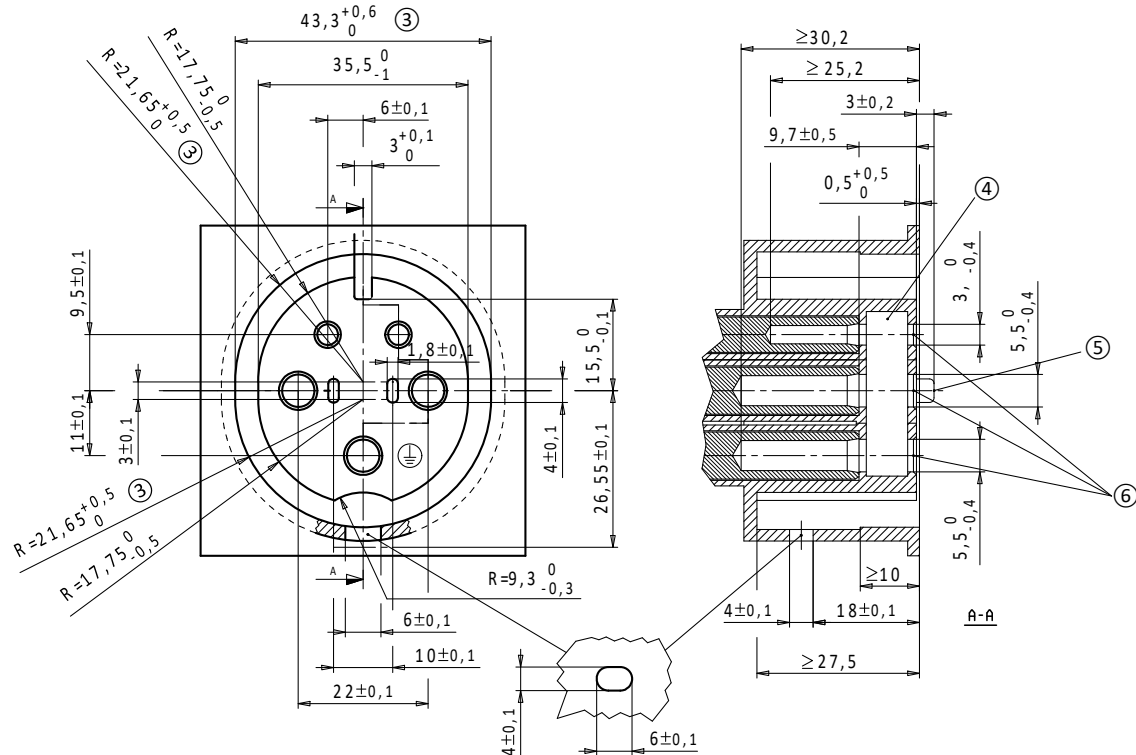
Front view of pins of plug

**CONFIGURATION TYPE 3**

**STANDARD SHEETS 2-IIIb**  
**32 A, 250 V SINGLE-PHASE EV SOCKET-OUTLET WITH 2 PILOT CONTACTS**

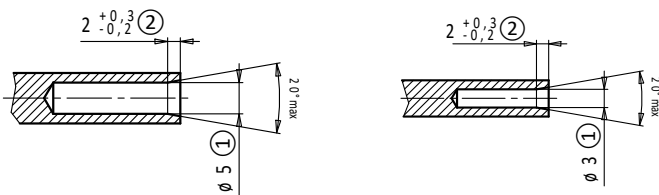
*Sheet 2 (continuation of Sheet 1)*

Dimensions in millimetres



Holes or recesses in the front face, if any, other than those for contact tubes, shall not have a depth of more than 10 mm.

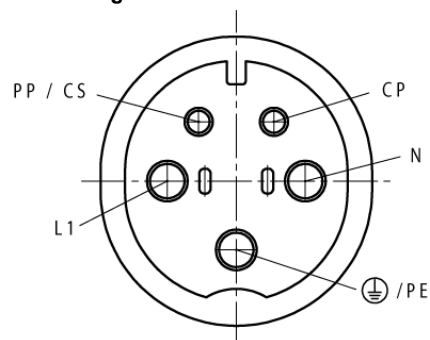
**End of contact tubes**



Earth/Phase/Neutral contacts

Pilot contacts

**Arrangement of contact tubes**



Front view of contact tubes of socket-outlet

**Key**

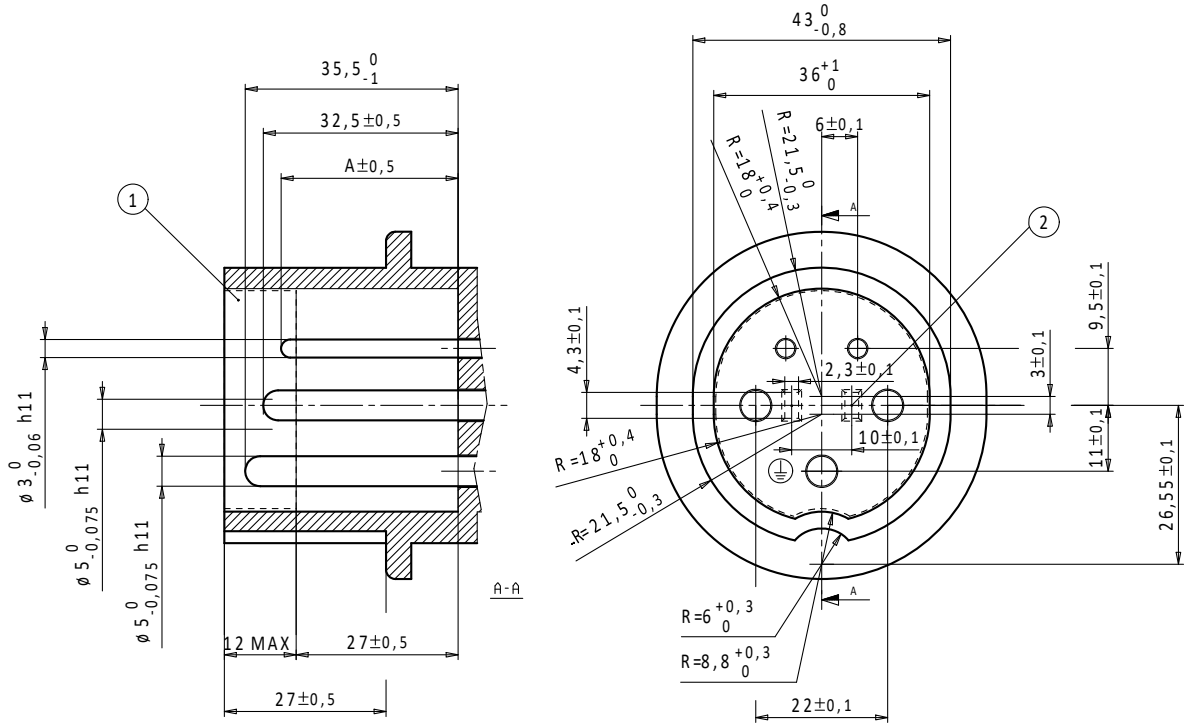
- ① The dimensions refer to the pins; the contact tubes need not be cylindrical.
- ② The bevelling of the contact tubes may be well rounded off towards the internal cylindrical surface within a distance of 1,5 times the indicated values.
- ③ The indicated dimensions shall be within the specified limits within the first 10 mm starting from the datum plane. Beyond this, they may be larger but not smaller.
- ④ Space for shutters. If any, they are compulsory for phase and neutral contact tubes.
- ⑤ Shutter pin shall be rounded off or bevelled.
- ⑥ Pin entry holes shall be rounded off or bevelled.
- ⑦ This dimension is measured from the extremity of the contact tube.

**CONFIGURATION TYPE 3**

**STANDARD SHEETS 2-IIIb**  
**32 A, 250 V SINGLE-PHASE VEHICLE INLET WITH 2 PILOT CONTACTS**

*Sheet 3 (continuation of Sheet 2)*

Dimensions in millimetres

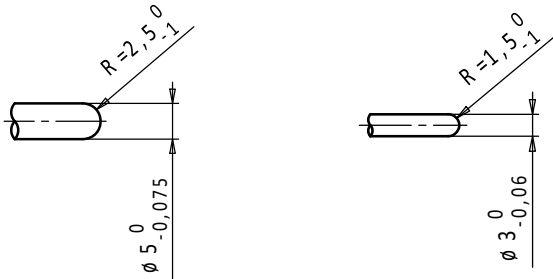


**Key**

- ① Space for shutters. They are compulsory for phase and neutral contact pins.
- ② Shutter pin entry holes shall be rounded off or bevelled.

Size of pilot contacts	
A	
CP	29,5
PP / CS	34,0

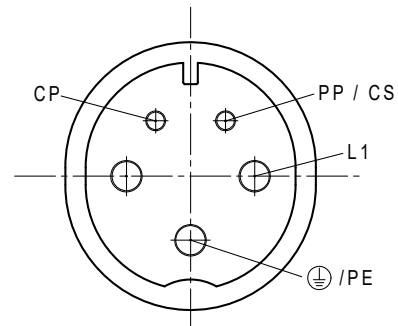
**End of pins**



Earth/Phase/Neutral contacts

Pilot

**Arrangement of pins**



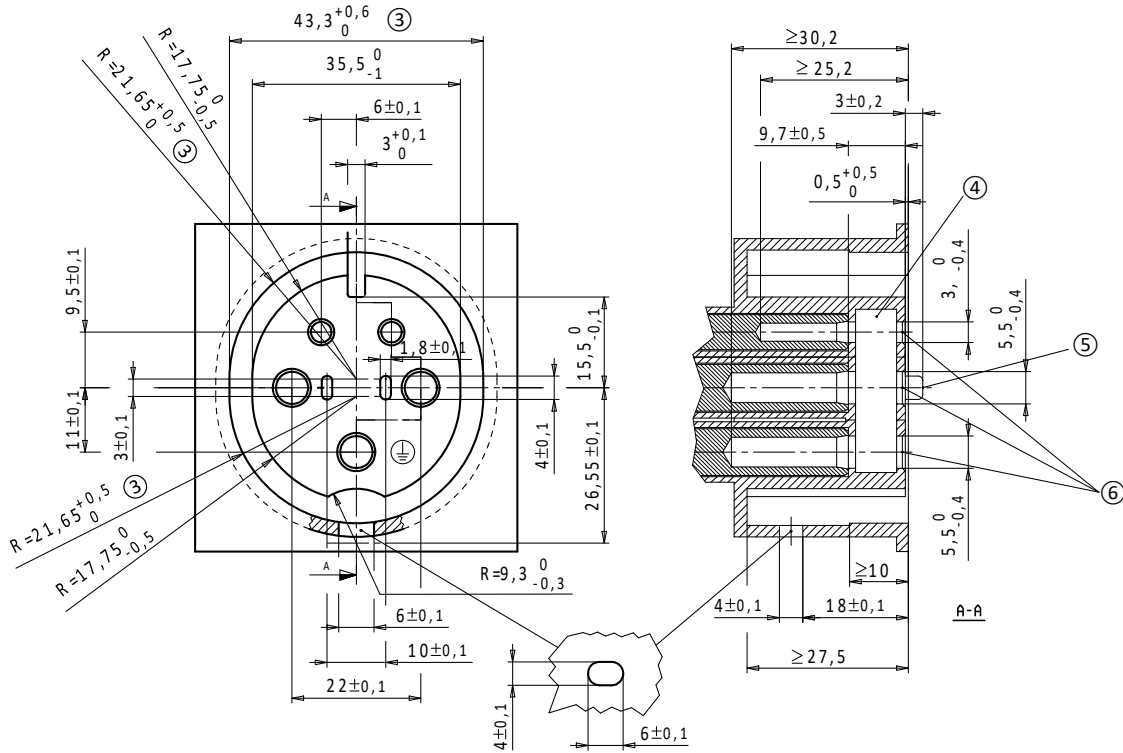
Front view of pins of vehicle inlet

**CONFIGURATION TYPE 3**

**STANDARD SHEETS 2-IIIb**  
**32 A, 250 V SINGLE-PHASE VEHICLE CONNECTOR WITH 2 PILOT CONTACTS**

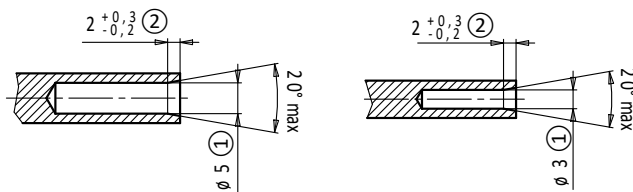
*Sheet 4 (continuation of Sheet 3)*

Dimensions in millimetres



Holes or recesses in the front face, if any, other than those for contact tubes, shall not have a depth of more than 10 mm.

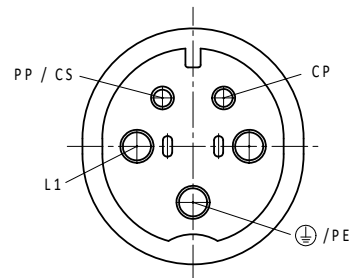
**End of contact tubes**



Earth/Phase/Neutral contacts

Pilot contacts

**Arrangement of contact tubes**



Front view of contact tubes of vehicle connector

**Key**

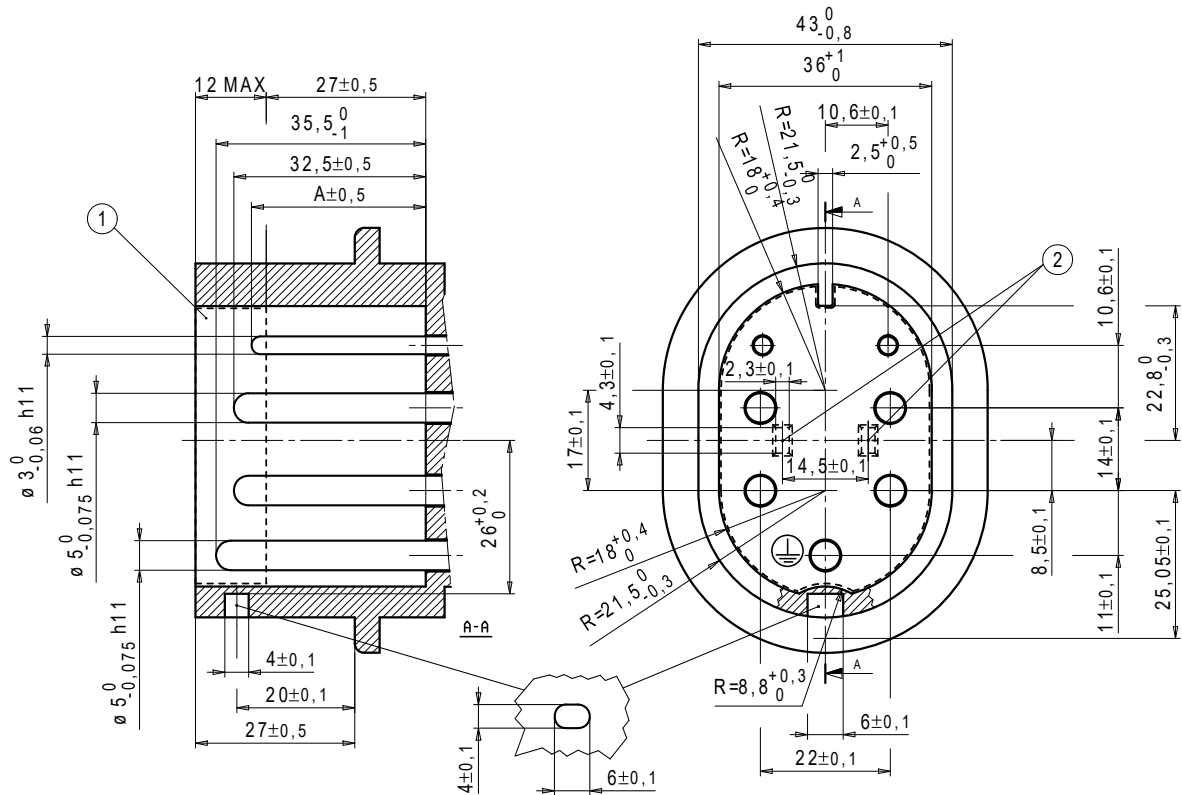
- ① The dimensions refer to the pins; the contact tubes need not be cylindrical.
- ② The beveling of the contact tubes may be well rounded off towards the internal cylindrical surface within a distance of 1,5 times the indicated values.
- ③ The indicated dimensions shall be within the specified limits within the first 10 mm starting from the datum plane. Beyond this, they may be larger but not smaller.
- ④ Space for shutters. If any, they are compulsory for phase and neutral contact tubes.
- ⑤ Shutter pin shall be rounded off or bevelled.
- ⑥ Pin entry holes shall be rounded off or bevelled.
- ⑦ This dimension is measured from the extremity of the contact tube.

**CONFIGURATION TYPE 3**

**STANDARD SHEETS 2-IIIc**  
**63 A, 480 V THREE-PHASE EV PLUG WITH 2 PILOT CONTACTS**

*Sheet 1*

Dimensions in millimetres

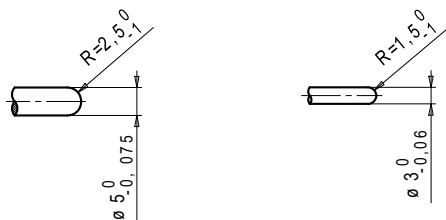


**Key**

- ① Space for shutters. They are compulsory for phase and neutral contact pins
- ② Shutter pin entry holes shall be rounded off or bevelled

Size of pilot contacts	
A	
CP	29,5
PP / CS	34,0

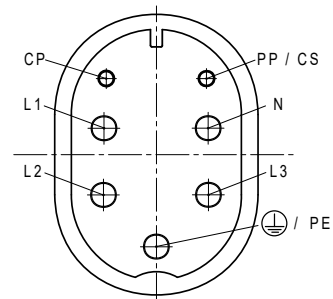
**End of pins**



Earth/Phase/Neutral contacts

Pilot contacts

**Arrangement of pins**



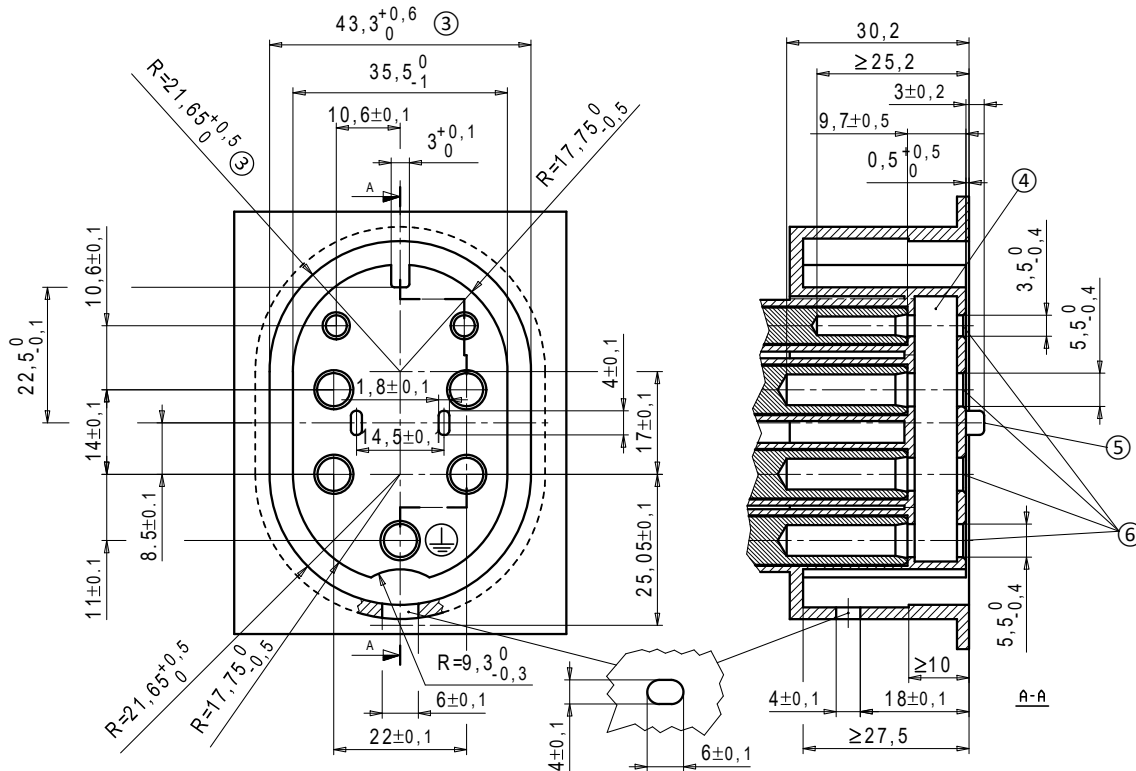
Front view of pins of plug

**CONFIGURATION TYPE 3**

**STANDARD SHEETS 2-IIIc**  
**63 A, 480 V THREE-PHASE EV SOCKET-OUTLET WITH 2 PILOT CONTACTS**

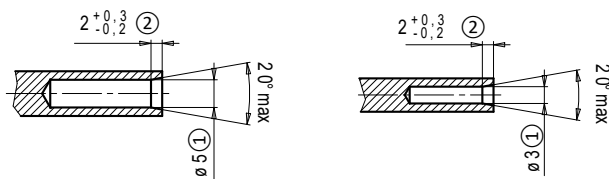
*Sheet 2 (continuation of Sheet 1)*

Dimensions in millimetres



Holes or recesses in the front face, if any, other than those for contact tubes, shall not have a depth of more than 10 mm.

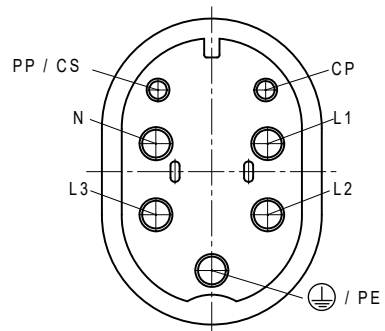
**End of contact tubes**



Earth/Phase/Neutral contacts

Pilot contacts

**Arrangement of contact tubes**



Front view of contact tubes of socket-outlet

**Key**

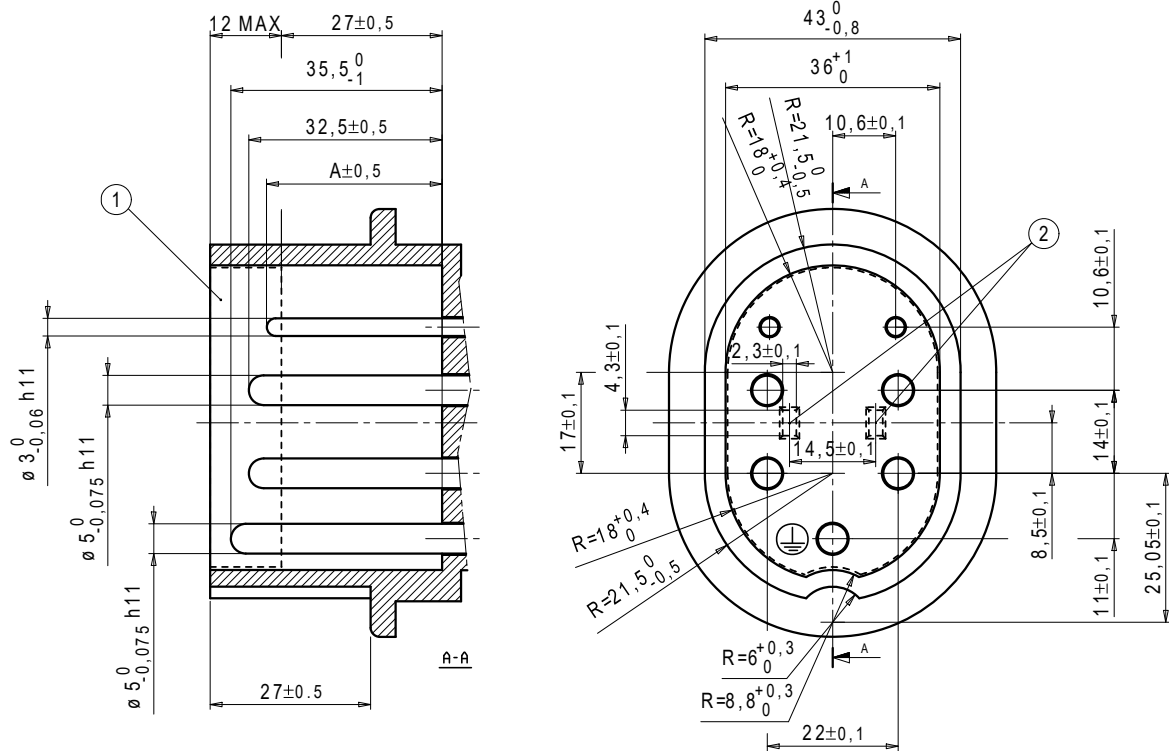
- ① The dimensions refer to the pins; the contact tubes need not be cylindrical.
- ② The bevelling of the contact tubes may be well rounded off towards the internal cylindrical surface within a distance of 1,5 times the indicated values.
- ③ The indicated dimensions shall be within the specified limits within the first 10 mm starting from the datum plane. Beyond this, they may be larger but not smaller.
- ④ Space for shutters. If any, they are compulsory for phase and neutral contact tubes.
- ⑤ Shutter pin shall be rounded off or bevelled.
- ⑥ Pin entry holes shall be rounded off or bevelled.
- ⑦ This dimension is measured from the extremity of the contact tube.

**CONFIGURATION TYPE 3**

**STANDARD SHEETS 2-IIIc**  
**63 A, 480 V THREE-PHASE VEHICLE INLET WITH 2 PILOT CONTACTS**

*Sheet 3 (continuation of Sheet 2)*

Dimensions in millimetres

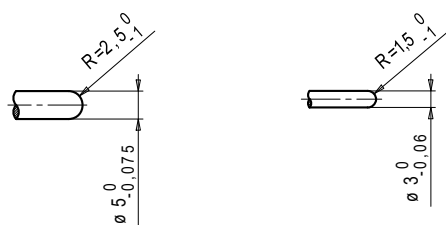


**Key**

- ① Space for shutters. They are compulsory for phase and neutral contact pins.
- ② Shutter pin entry holes shall be rounded off or bevelled.

Size of pilot contacts	
	A
CP	29,5
PP / CS	34,0

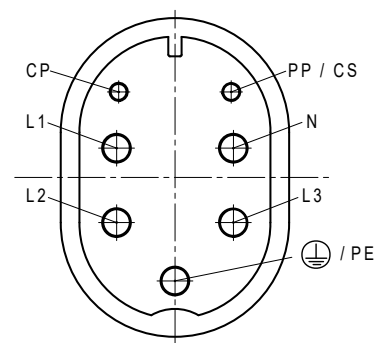
**End of pins**



Earth/Phase/Neutral contacts

Pilot contacts

**Arrangement of pins**



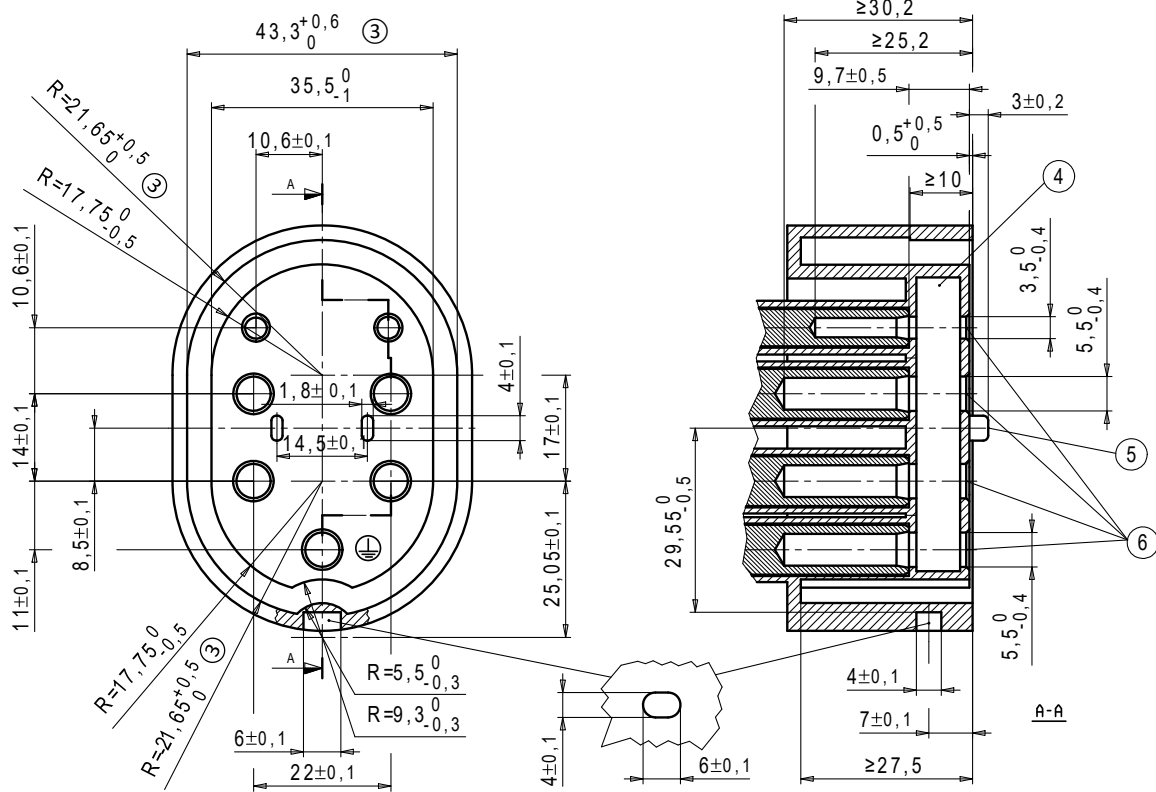
Front view of pins of vehicle inlet

**CONFIGURATION TYPE 3**

**STANDARD SHEETS 2-IIIc**  
**63 A, 480 V THREE-PHASE VEHICLE CONNECTOR WITH 2 PILOT CONTACTS**

*Sheet 4 (continuation of Sheet 3)*

Dimensions in millimetres



Holes or recesses in the front face, if any, other than those for contact tubes, shall not have a depth of more than 10 mm.

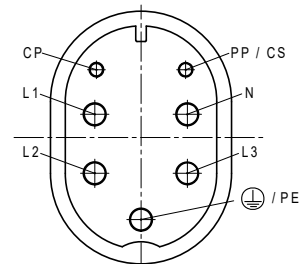
**End of contact tubes**



Earth/Phase/Neutral contacts

Pilot contacts

**Arrangement of contact tubes**



Front view of contact tubes of vehicle connector

**Key**

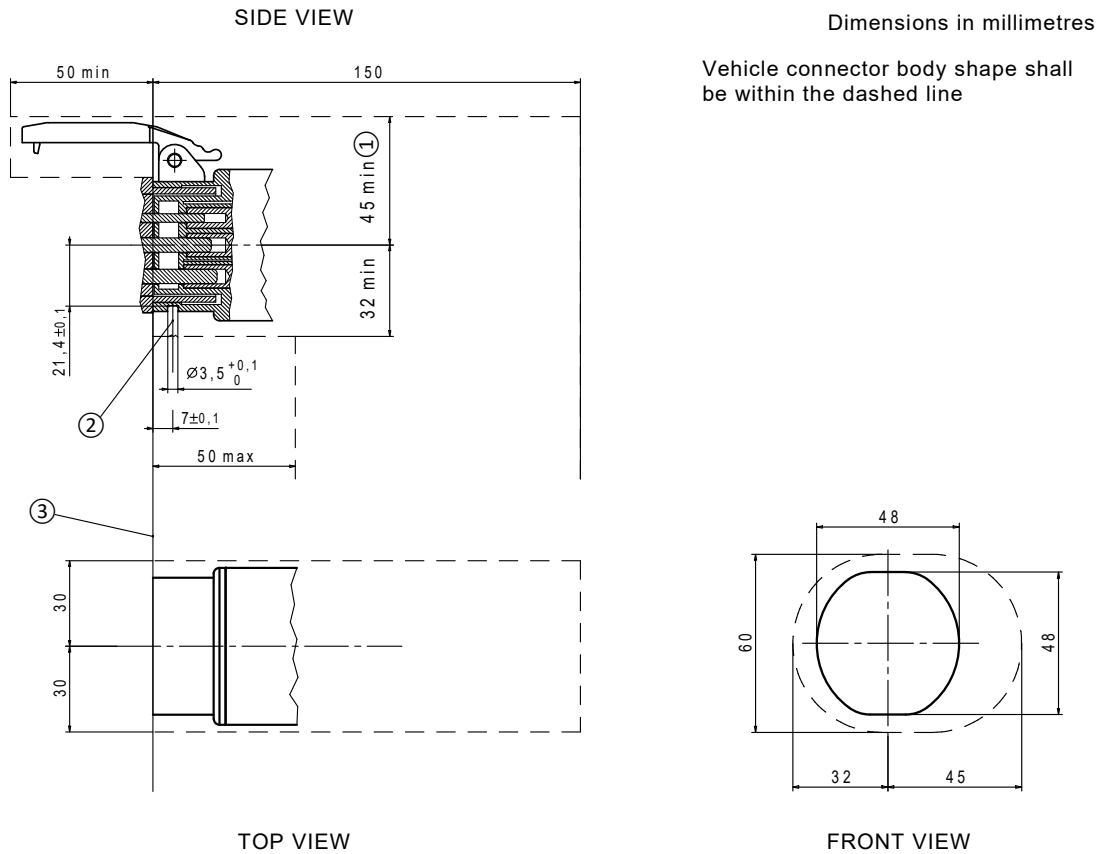
- ① The dimensions refer to the pins; the contact tubes need not be cylindrical.
- ② The bevelling of the contact tubes may be well rounded off towards the internal cylindrical surface within a distance of 1,5 times the indicated values.
- ③ The indicated dimensions shall be within the specified limits within the first 10 mm starting from the datum plane. Beyond this, they may be larger but not smaller.
- ④ Space for shutters. If any, they are compulsory for phase and neutral contact tubes.
- ⑤ Shutter pin shall be rounded off or bevelled.
- ⑥ Pin entry holes shall be rounded off or bevelled.
- ⑦ This dimension is measured from the extremity of the contact tube.



**CONFIGURATION TYPE 3**

STANDARD SHEETS 2-III d  
 16 A, 250 V SINGLE-PHASE VEHICLE COUPLER  
 (VEHICLE CONNECTOR + VEHICLE INLET)

## LATCHING MEANS AND PACKAGING ROOM (STANDARD SHEET 2-III a)

*Sheet 1***Key**

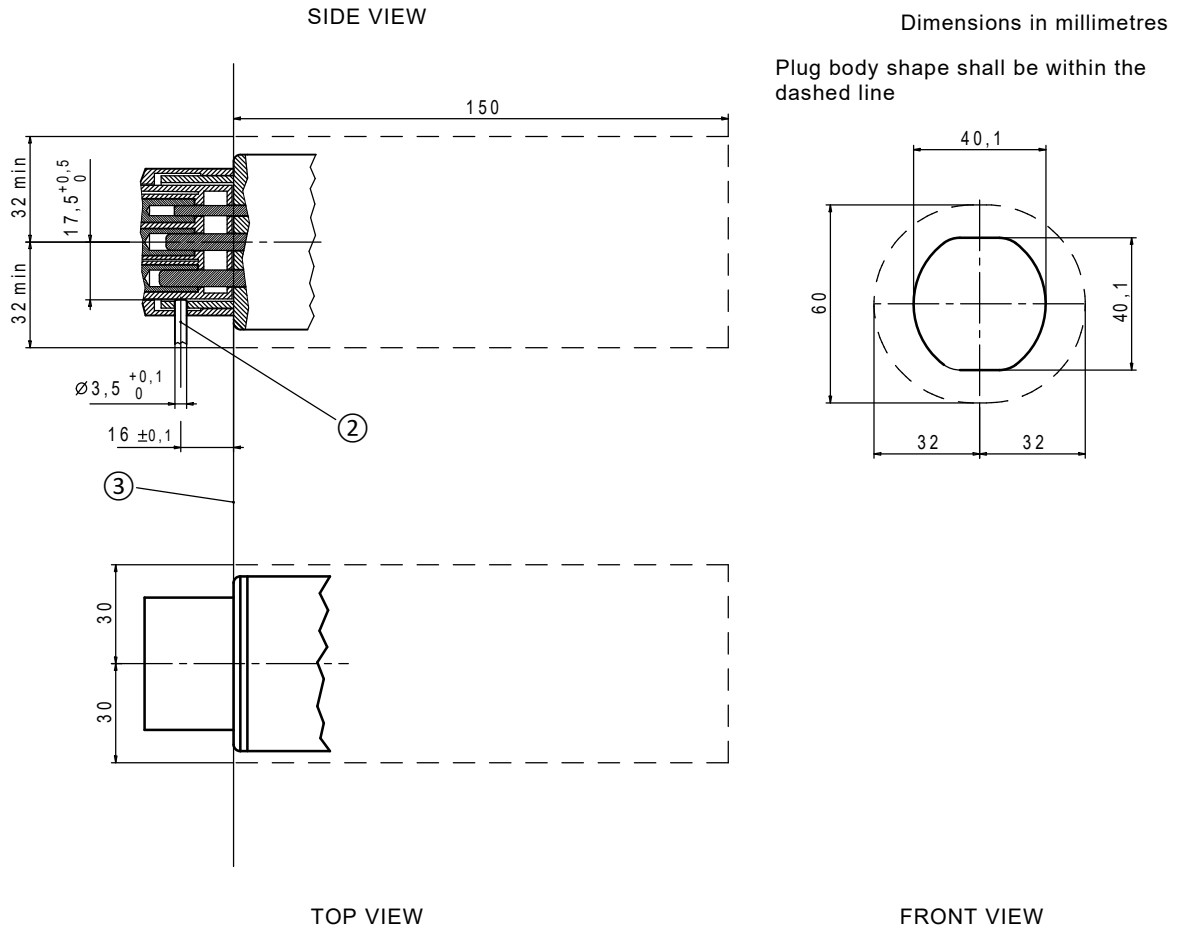
- ① Minimum space required for the movement of the hinged lid
- ② Latching means
- ③ Vehicle surface

### CONFIGURATION TYPE 3

#### STANDARD SHEETS 2-IIIId 16 A, 250 V SINGLE-PHASE EV PLUG + EV SOCKET-OUTLET

#### LATCHING MEANS AND PACKAGING ROOM (STANDARD SHEET 2-IIIa)

#### Sheet 2 (continuation of Sheet 1)



**Key**

- ② Latching means
- ③ Vehicle surface

**CONFIGURATION TYPE 3**

STANDARD SHEETS 2-IIIId  
 32 A, 250 V SINGLE-PHASE VEHICLE COUPLER  
 (VEHICLE CONNECTOR + VEHICLE INLET)

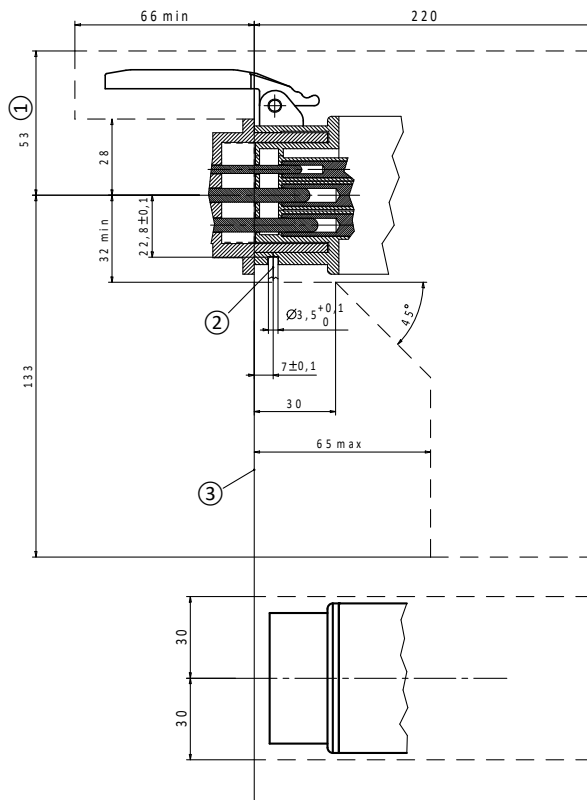
## LATCHING MEANS AND PACKAGING ROOM (STANDARD SHEET 2-IIIb)

*Sheet 3 (continuation of Sheet 2)*

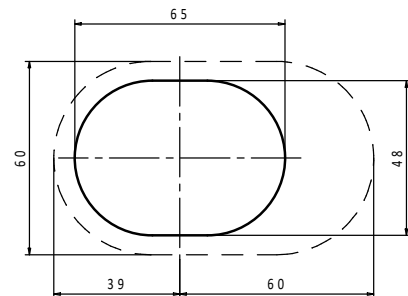
SIDE VIEW

Dimensions in millimetres

Vehicle connector body shape shall be within the dashed line.



TOP VIEW



FRONT VIEW

Dimensions in millimetres

**Key**

- ① Minimum space required for the movement of the hinged lid
- ② Latching means
- ③ Vehicle surface

**CONFIGURATION TYPE 3**

**STANDARD SHEETS 2-IIIId**  
**32 A, 250 V SINGLE-PHASE EV PLUG + EV SOCKET-OUTLET**

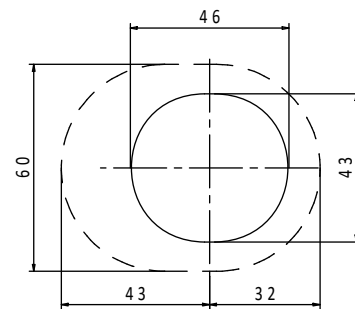
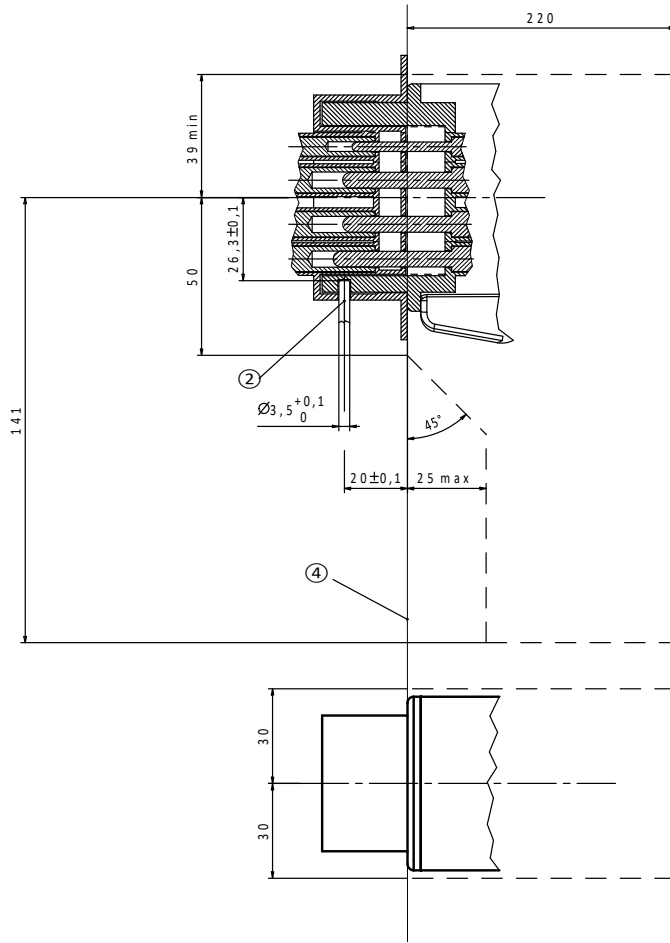
**LATCHING MEANS AND PACKAGING ROOM (STANDARD SHEET 2-IIIb)**

*Sheet 4 (continuation of Sheet 3)*

SIDE VIEW

Dimensions in millimetres

Plug body shape shall be within the dashed line.



TOP VIEW

FRONT VIEW

**Key**

- ② Latching means
- ④ Socket-outlet surface

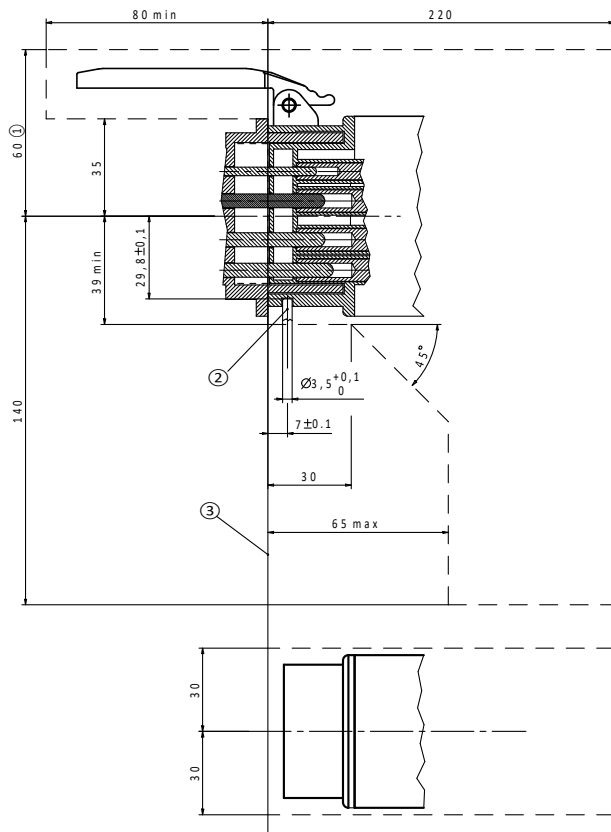
**CONFIGURATION TYPE 3**

**STANDARD SHEETS 2-III d**  
**63 A, 480 V THREE-PHASE VEHICLE COUPLER**  
**(VEHICLE CONNECTOR + VEHICLE INLET)**

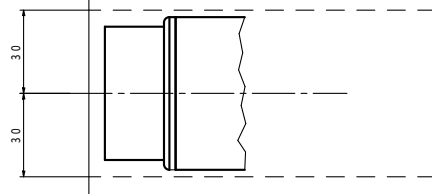
**LATCHING MEANS AND PACKAGING ROOM (STANDARD SHEET 2-III c)**

*Sheet 5 (continuation of Sheet 4)*

**SIDE VIEW**

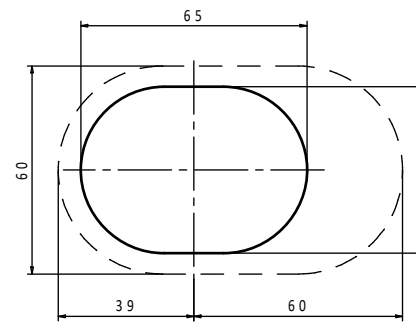


**TOP VIEW**



**Dimensions in millimetres**

Vehicle connector body shape shall be within the dashed line



**FRONT VIEW**

**Key**

- ① Minimum space required for the movement of the hinge lid
- ② Latching means
- ③ Vehicle surface

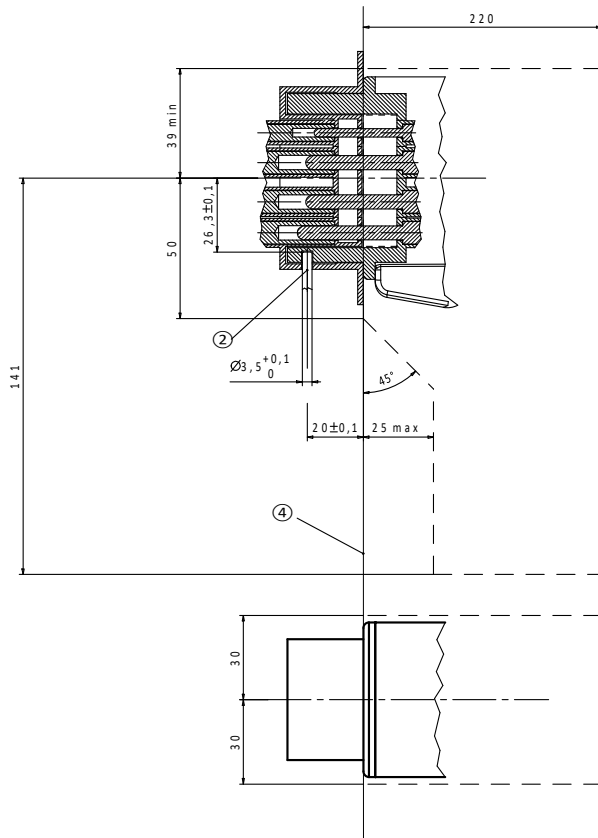
### CONFIGURATION TYPE 3

#### STANDARD SHEETS 2-III d 63 A, 480 V THREE-PHASE EV PLUG + EV SOCKET-OUTLET

#### LATCHING MEANS AND PACKAGING ROOM (STANDARD SHEET 2-III c)

#### Sheet 6 (continuation of Sheet 5)

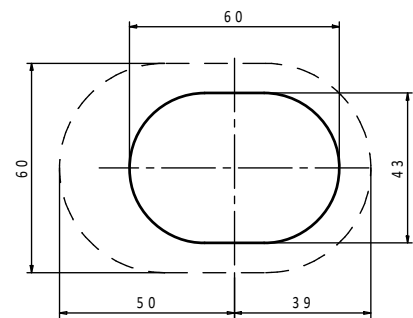
SIDE VIEW



TOP VIEW

Dimensions in millimetres

Plug body shape shall be within the dashed line



FRONT VIEW

#### Key

- ② Latching means
- ④ Socket-outlet surface

**Annex A**  
(informative)

**Legacy drawings from IEC 62196-2:2016**

This Annex A shows the original drawings included in IEC 62196-2:2016 that have been modified in this third edition to improve the use of the accessories. For accessories complying with IEC 62196-2:2016 at the date of publication of this third edition, this drawing can be used as an alternative to Standard Sheets II (as applicable).

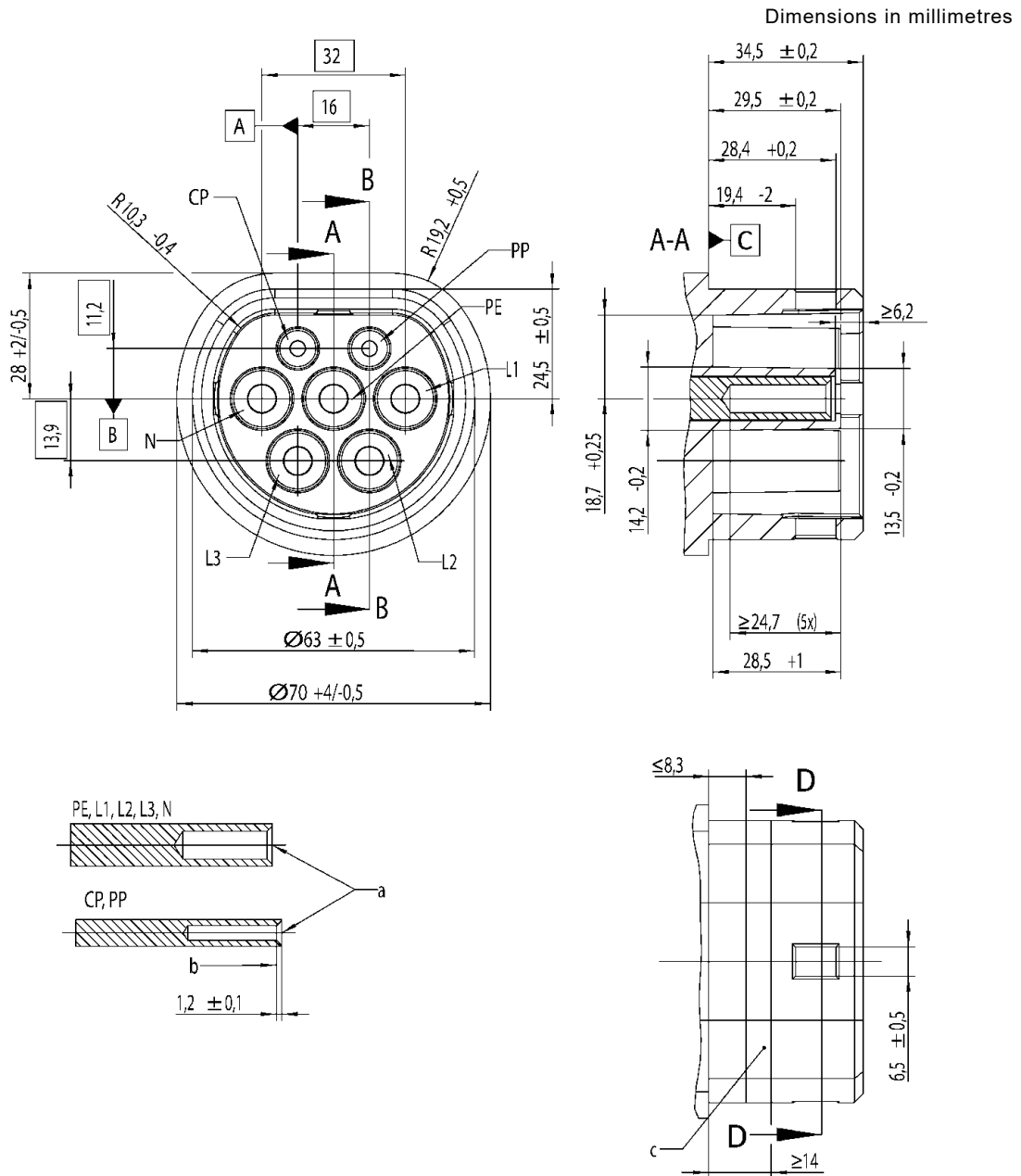
This annex is only introduced for the purposes of this third edition and will be removed in the next edition of IEC 62196-2.

**CONFIGURATION TYPE 2-II**

63 A/480 V THREE-PHASE OR 70 A/250 V SINGLE-PHASE

STANDARD SHEETS 2-IIe (2016)  
VEHICLE CONNECTOR

Sheet 1



**Key**

- a Tip of sleeves chamfered for easy insertion
- b Contact point
- c Sealing area free of sinkage, tool cuts and ejectors  
Surface roughness in sealing area:  $R_a = 0,7 \mu\text{m}$

Undimensioned radii: R 0,5 mm to 0,7 mm

For single-phase connectors the contacts L2 and L3 including the surrounding insulation can be omitted.



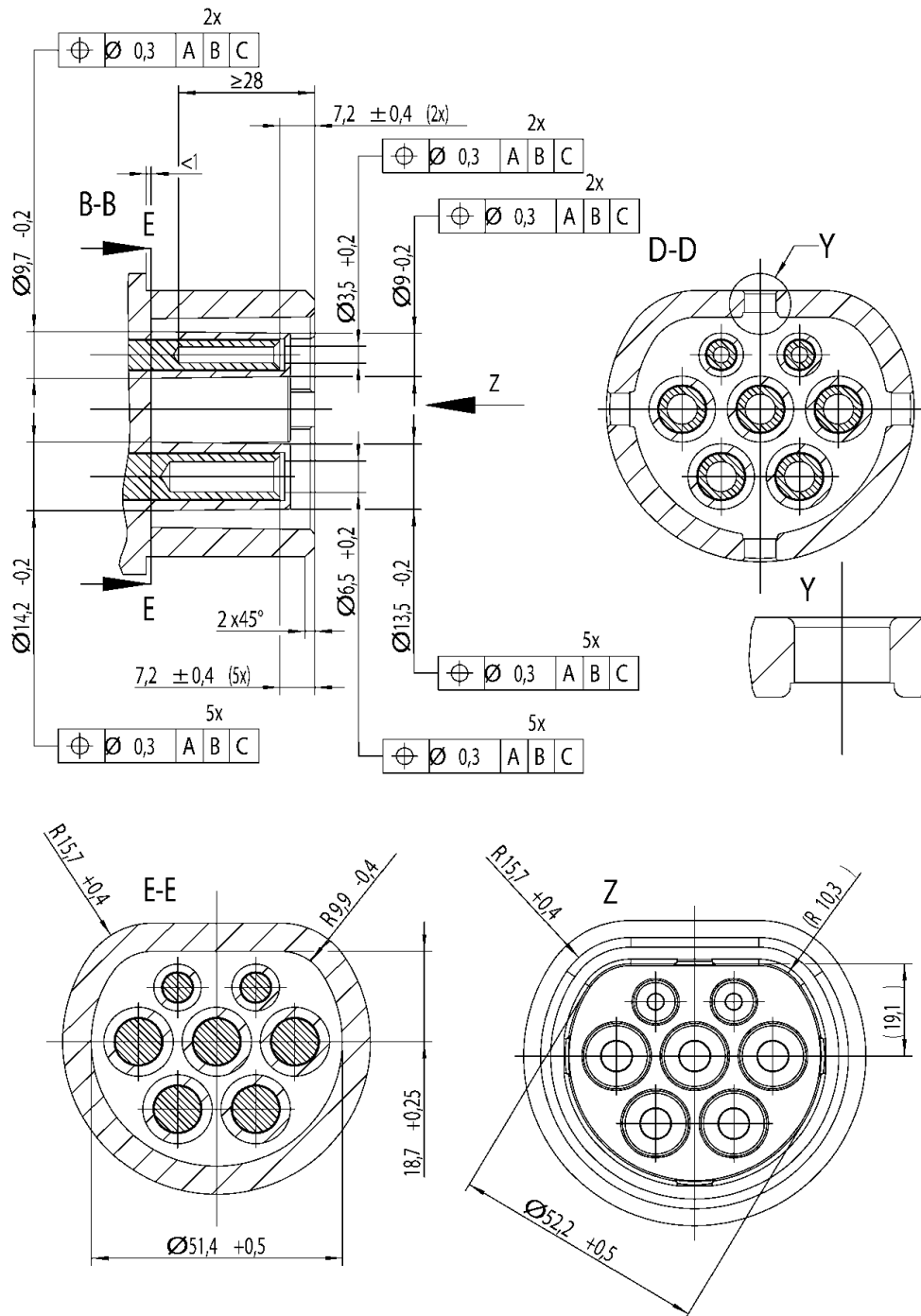
**CONFIGURATION TYPE 2-II**

63 A/480 V THREE-PHASE OR 70 A/250 V SINGLE-PHASE

STANDARD SHEETS 2-IIe (2016)  
VEHICLE CONNECTOR

Sheet 2 (continuation of Sheet 1)

Dimensions in millimetres



Undimensioned radii: R 0,5 mm to 0,7 mm

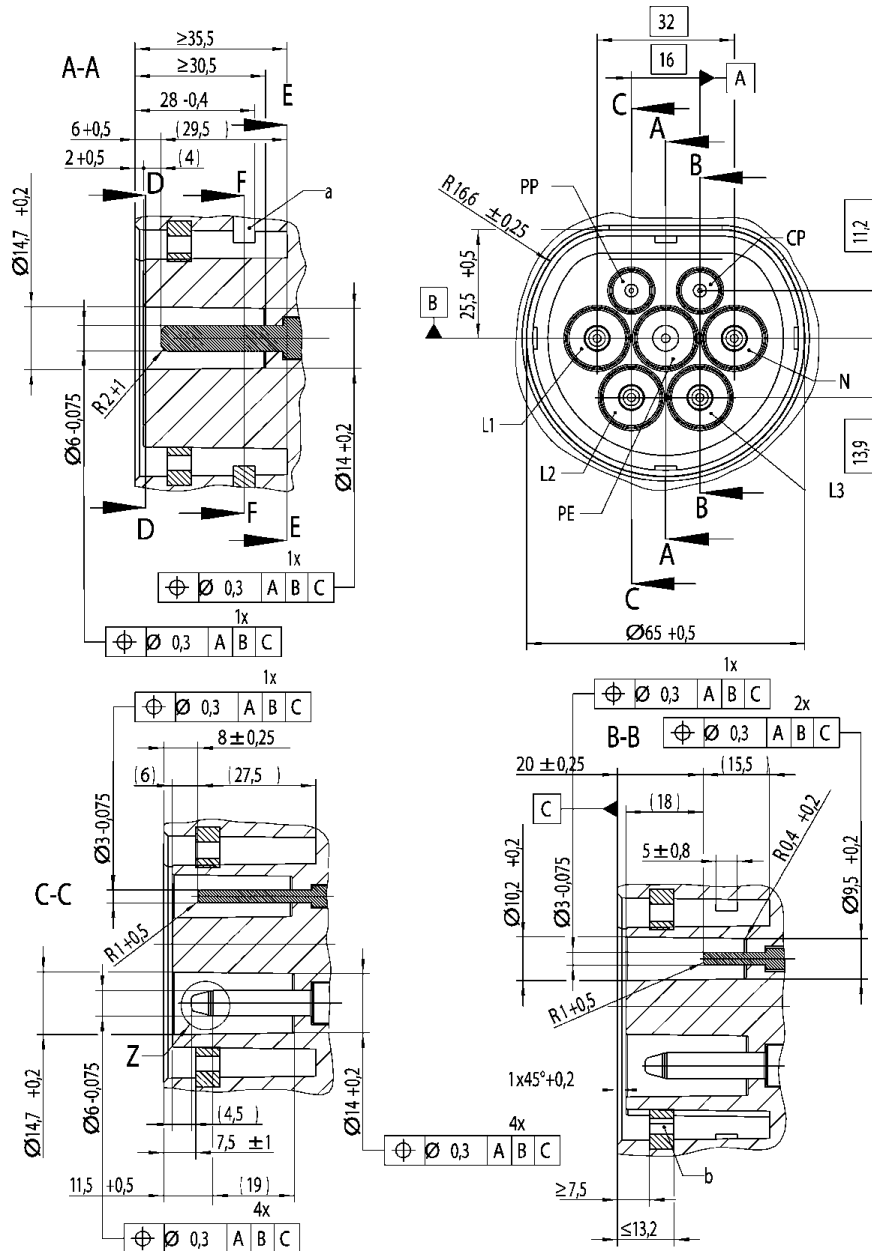
**CONFIGURATION TYPE 2-II**

63 A/480 V THREE-PHASE OR 70 A/250 V SINGLE-PHASE

STANDARD SHEETS 2-II(f) (2016)  
VEHICLE INLET

Sheet 1

Dimensions in millimetres



**Key**

- a Latching means' construction according to customer's decision
- b Sealing area (optional sealing)

For single-phase inlets the contacts L2 and L3 can be omitted.

Undimensioned radii: R 0,5 mm to 0,7 mm

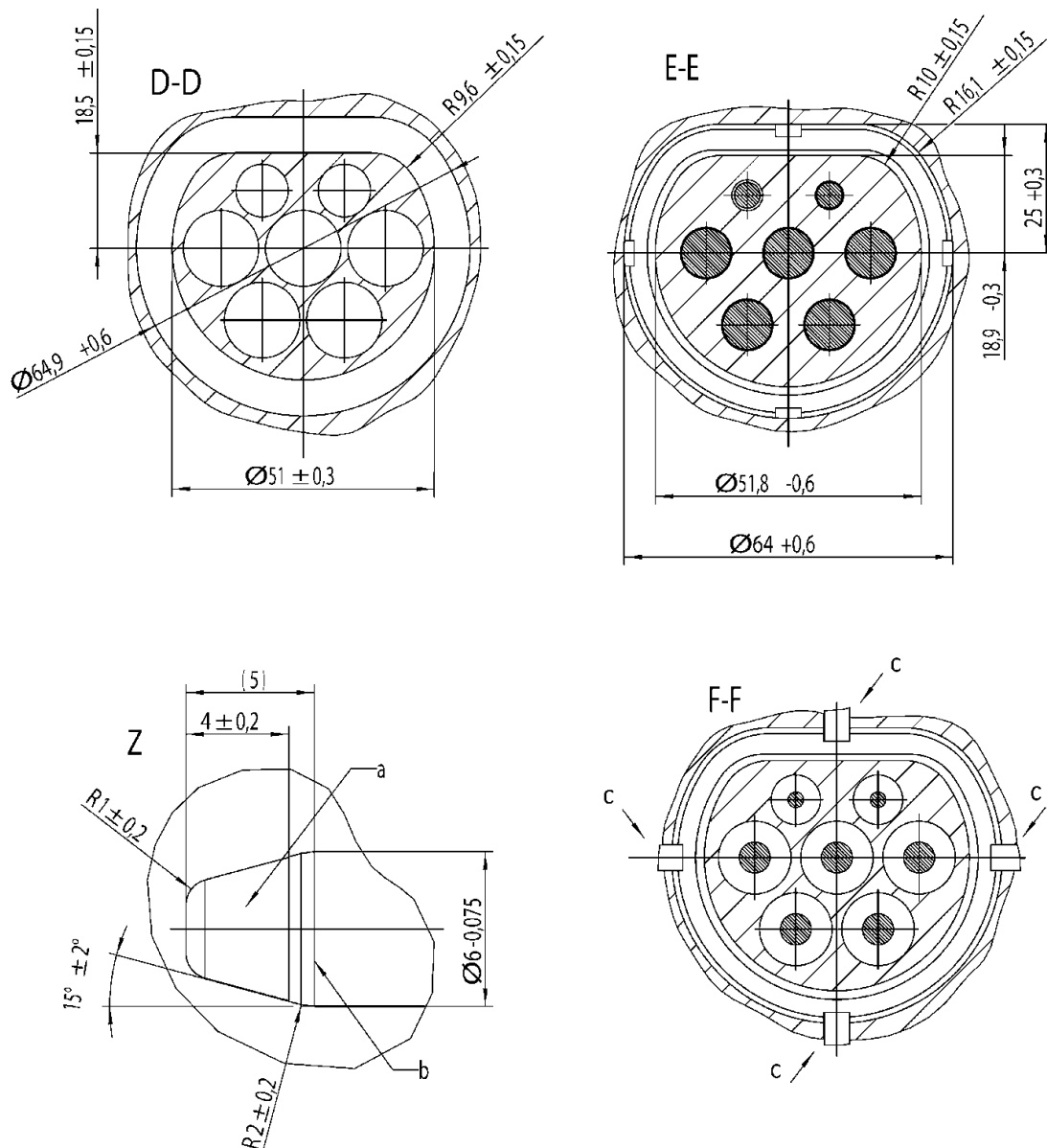
**CONFIGURATION TYPE 2-II**

63 A/480 V THREE-PHASE OR 70 A/250 V SINGLE-PHASE

STANDARD SHEETS 2-IIif (2016)  
VEHICLE INLET

Sheet 2 (continuation of Sheet 1)

Dimensions in millimetres

**Key**

- a Isolated cap
- b No sharp edges acceptable at the transition region
- c Latching means' positions. At least one latching means provided.

Undimensioned radii: R 0,5 mm to 0,7 mm

## Bibliography

IEC 61851 (all parts), *Electric vehicle conductive charging system*

IEC 62196-3:2022, *Plugs, socket-outlets, vehicle connectors and vehicle inlets – Conductive charging of electric vehicles – Part 3: Dimensional compatibility requirements for DC and AC/DC pin and contact-tube vehicle couplers*

---



## SOMMAIRE

AVANT-PROPOS .....	70
INTRODUCTION.....	72
1 Domaine d'application .....	73
2 Références normatives .....	73
3 Termes et définitions .....	74
4 Généralités.....	74
5 Caractéristiques assignées.....	74
6 Connexion entre l'alimentation électrique et le véhicule électrique.....	75
7 Classification des appareils .....	77
8 Marquage .....	77
9 Dimensions.....	77
10 Protection contre les chocs électriques.....	78
11 Section et couleur des conducteurs de terre et de neutre .....	78
12 Dispositions pour la mise à la terre.....	79
13 Bornes.....	79
14 Dispositifs de verrouillage.....	79
15 Résistance au vieillissement du caoutchouc et des matériaux thermoplastiques .....	79
16 Construction générale.....	79
17 Construction des socles de prise de courant VE – Généralités .....	79
18 Construction des fiches VE et des prises mobiles de véhicule .....	79
19 Construction des socles de connecteur de véhicule .....	79
20 Degrés de protection .....	79
21 Résistance d'isolement et rigidité diélectrique .....	79
22 Pouvoir de coupure .....	80
23 Fonctionnement normal .....	80
24 Echauffement .....	80
25 Câbles souples et leur raccordement.....	80
26 Résistance mécanique.....	80
27 Vis, parties transportant le courant et connexions.....	80
28 Lignes de fuite, distances dans l'air et distances à travers le composé de remplissage.....	80
29 Résistance à la chaleur et au feu.....	80
30 Corrosion et résistance à la rouille .....	80
31 Courant de court-circuit conditionnel .....	80
32 Compatibilité électromagnétique (CEM).....	81
33 Ecrasement par roulage de véhicule.....	81
34 Cycle thermique .....	81
35 Exposition à l'humidité.....	81
36 Désalignement.....	81
37 Essai d'endurance de contact .....	81
201 Codage par résistances.....	81
FEUILLES DE NORME .....	82

CONFIGURATION DE TYPE 1.....	82
CONFIGURATION DE TYPE 2.....	94
CONFIGURATION DE TYPE 3.....	110
Annexe A (informative) Anciens dessins de l'IEC 62196-2:2016.....	129
Bibliographie.....	134
Tableau 201 – Présentation de l'interface basique pour véhicule, configuration de type 1, monophasé .....	76
Tableau 202 – Présentation de l'interface basique pour véhicule, configuration de types 2 et 3, monophasé ou triphasé .....	76
Tableau 203 – Types de configurations et feuilles de norme .....	78
Tableau 204 – Compatibilité des appareils de configuration de type 2 .....	94

## COMMISSION ÉLECTROTECHNIQUE INTERNATIONALE

---

### FICHES, SOCLES DE PRISE DE COURANT, PRISES MOBILES DE VÉHICULE ET SOCLES DE CONNECTEURS DE VÉHICULE – CHARGE CONDUCTIVE DES VÉHICULES ÉLECTRIQUES –

#### Partie 2: Exigences dimensionnelles de compatibilité pour les appareils à broches et alvéoles pour courant alternatif

##### AVANT-PROPOS

- 1) La Commission Electrotechnique Internationale (IEC) est une organisation mondiale de normalisation composée de l'ensemble des comités électrotechniques nationaux (Comités nationaux de l'IEC). L'IEC a pour objet de favoriser la coopération internationale pour toutes les questions de normalisation dans les domaines de l'électricité et de l'électronique. À cet effet, l'IEC – entre autres activités – publie des Normes internationales, des Spécifications techniques, des Rapports techniques, des Spécifications accessibles au public (PAS) et des Guides (ci-après dénommés "Publication(s) de l'IEC"). Leur élaboration est confiée à des comités d'études, aux travaux desquels tout Comité national intéressé par le sujet traité peut participer. Les organisations internationales, gouvernementales et non gouvernementales, en liaison avec l'IEC, participent également aux travaux. L'IEC collabore étroitement avec l'Organisation Internationale de Normalisation (ISO), selon des conditions fixées par accord entre les deux organisations.
- 2) Les décisions ou accords officiels de l'IEC concernant les questions techniques représentent, dans la mesure du possible, un accord international sur les sujets étudiés, étant donné que les Comités nationaux de l'IEC intéressés sont représentés dans chaque comité d'études.
- 3) Les Publications de l'IEC se présentent sous la forme de recommandations internationales et sont agréées comme telles par les Comités nationaux de l'IEC. Tous les efforts raisonnables sont entrepris afin que l'IEC s'assure de l'exactitude du contenu technique de ses publications; l'IEC ne peut pas être tenue responsable de l'éventuelle mauvaise utilisation ou interprétation qui en est faite par un quelconque utilisateur final.
- 4) Dans le but d'encourager l'uniformité internationale, les Comités nationaux de l'IEC s'engagent, dans toute la mesure possible, à appliquer de façon transparente les publications de l'IEC dans leurs publications nationales et régionales. Toutes divergences entre toutes publications de l'IEC et toutes publications nationales ou régionales correspondantes doivent être indiquées en termes clairs dans ces dernières.
- 5) L'IEC elle-même ne fournit aucune attestation de conformité. Des organismes de certification indépendants fournissent des services d'évaluation de conformité et, dans certains secteurs, accèdent aux marques de conformité de l'IEC. L'IEC n'est responsable d'aucun des services effectués par les organismes de certification indépendants.
- 6) Tous les utilisateurs doivent s'assurer qu'ils sont en possession de la dernière édition de cette publication.
- 7) Aucune responsabilité ne doit être imputée à l'IEC, à ses administrateurs, employés, auxiliaires ou mandataires, y compris ses experts particuliers et les membres de ses comités d'études et des Comités nationaux de l'IEC, pour tout préjudice causé en cas de dommages corporels et matériels, ou de tout autre dommage de quelque nature que ce soit, directe ou indirecte, ou pour supporter les coûts (y compris les frais de justice) et les dépenses découlant de la publication ou de l'utilisation de cette publication de l'IEC ou de toute autre publication de l'IEC, ou au crédit qui lui est accordé.
- 8) L'attention est attirée sur les références normatives citées dans cette publication. L'utilisation de publications référencées est obligatoire pour une application correcte de la présente publication.
- 9) L'attention est attirée sur le fait que certains des éléments de la présente publication de l'IEC peuvent faire l'objet de droits de brevet. L'IEC ne saurait être tenue pour responsable de ne pas avoir identifié de tels droits de brevets.

L'IEC 62196-2 a été établie par le sous-comité 23H: Prises de courant pour usages industriels et analogues, et pour Véhicules Électriques, du comité d'études 23 de l'IEC: Petit appareillage. Il s'agit d'une Norme internationale.

Cette troisième édition annule et remplace la deuxième édition parue en 2016. Cette édition constitue une révision technique.



Cette édition inclut les modifications techniques majeures suivantes par rapport à l'édition précédente:

- a) les exigences d'interchangeabilité ont été supprimées du titre de la Partie 2;
- b) alignement sur l'IEC 62196-1:2022 et l'IEC 62196-3:2022;
- c) alignement sur l'IEC 61851-1:2017.

Le texte de cette Norme internationale est issu des documents suivants:

Projet	Rapport de vote
23H/502/FDIS	23H/506/RVD

Le rapport de vote indiqué dans le tableau ci-dessus donne toute information sur le vote ayant abouti à son approbation.

La version française de la norme n'a pas été soumise au vote.

La langue employée pour l'élaboration de cette Norme internationale est l'anglais.

Le présent document a été rédigé selon les Directives ISO/IEC, Partie 2, il a été développé selon les Directives ISO/IEC, Partie 1 et les Directives ISO/IEC, Supplément IEC, disponibles sous [www.iec.ch/members\\_experts/refdocs](http://www.iec.ch/members_experts/refdocs). Les principaux types de documents développés par l'IEC sont décrits plus en détail sous [www.iec.ch/standardsdev/publications](http://www.iec.ch/standardsdev/publications).

Une liste de toutes les parties de la série IEC 62196, publiées sous le titre général *Fiches, socles de prise de courant, prises mobiles de véhicule et socles de connecteurs de véhicule – Charge conductive des véhicules électriques*, se trouve sur le site web de l'IEC.

Le présent document est destiné à être utilisé conjointement avec l'IEC 62196-1:2022. Les articles du présent document spécifiant des exigences particulières complètent ou modifient les articles correspondants de l'IEC 62196-1:2022. Lorsque le texte indique un "ajout" ou un "remplacement" d'exigence, de spécification d'essai ou d'explication de l'IEC 62196-1:2022, ces modifications s'appliquent au texte correspondant de l'IEC 62196-1:2022, qui devient alors partie du présent document. Lorsqu'aucune modification n'est nécessaire, la phrase "L'Article X de l'IEC 62196-1:2022 s'applique" est utilisée.

Les paragraphes, figures, tableaux ou notes qui sont ajoutés à ceux de l'IEC 62196-1:2022 sont numérotés à partir de 201.

Dans le présent document, les caractères d'imprimerie suivants sont utilisés:

- exigences: caractères romains;
- *modalités d'essai: caractères italiques;*
- notes: petits caractères romains.

Le comité a décidé que le contenu de ce document ne sera pas modifié avant la date de stabilité indiquée sur le site web de l'IEC sous [webstore.iec.ch](http://webstore.iec.ch) dans les données relatives au document recherché. A cette date, le document sera

- reconduit,
- supprimé,
- remplacé par une édition révisée, ou
- amendé.

## INTRODUCTION

La série IEC 61851 (toutes les parties) spécifie les exigences relatives aux systèmes d'alimentation conductive pour véhicules électriques (VE).

La série IEC 62196 (toutes les parties) spécifie les exigences relatives aux fiches, socles de prise de courant, prises mobiles de véhicule, socles de connecteur de véhicule et câbles de charge, qui sont décrits dans l'IEC 61851 (toutes les parties).

Une charge à l'aide de chargeurs de véhicules peut être obtenue par le raccordement direct d'un véhicule électrique à un réseau d'alimentation en courant alternatif en utilisant des socles de prise de courant communs ou bien un équipement intégrant des circuits de commande et de communication.

Pour soutenir la connexion d'une alimentation en courant alternatif pour ces véhicules, le présent document fournit les configurations d'interface normalisées de prises de courant de véhicules et d'appareils à courant alternatif à utiliser dans la charge conductive des véhicules électriques, en tenant compte des situations de charge les plus fréquentes.

L'IEC 62196 est constituée des parties suivantes:

- Partie 1: Exigences générales, qui comprend les articles de caractère général.
- Partie 2: Exigences dimensionnelles de compatibilité pour les appareils à broches et alvéoles pour courant alternatif.
- Partie 3: Exigences dimensionnelles de compatibilité pour les prises de courant de véhicule à broches et alvéoles pour courant continu et pour courants alternatif et continu.
- Partie 3-1: Prise mobile de véhicule, socle de connecteur de véhicule et câble de charge prévus pour une utilisation avec un système de gestion thermique pour une charge en courant continu.
- Partie 4: Exigences dimensionnelles de compatibilité pour les appareils à broches et alvéoles en courant continu pour les applications de classe II ou de classe III.
- Partie 6: Exigences dimensionnelles de compatibilité pour les prises de courant de véhicules à broches et alvéoles en courant continu destinées aux applications utilisant un système de séparation électrique de protection.

# FICHES, SOCLES DE PRISE DE COURANT, PRISES MOBILES DE VÉHICULE ET SOCLES DE CONNECTEURS DE VÉHICULE – CHARGE CONDUCTIVE DES VÉHICULES ÉLECTRIQUES –

## Partie 2: Exigences dimensionnelles de compatibilité pour les appareils à broches et alvéoles pour courant alternatif

### 1 Domaine d'application

La présente partie de l'IEC 62196 s'applique aux fiches VE, aux socles de prise de courant VE, aux prises mobiles et socles de connecteurs de véhicule, à broches et alvéoles, de configurations normalisées, ci-après dénommés appareils. Ces appareils ont une tension assignée d'emploi ne dépassant pas 480 V en courant alternatif, 50 Hz à 60 Hz, et un courant assigné ne dépassant pas 63 A en triphasé ou 70 A en monophasé, et sont destinés à la charge conductive des véhicules électriques.

Le présent document couvre les appareils d'interface basique pour l'alimentation de véhicules tels que spécifiés dans l'IEC 62196-1:2022.

NOTE 1 Le terme "véhicules électriques routiers (VE)" comprend tous les véhicules routiers, y compris les véhicules routiers hybrides rechargeables (PHEV), dont une partie ou la totalité de l'énergie provient du système de stockage d'énergie rechargeable (RESS).

Ces appareils sont destinés à être utilisés pour les circuits spécifiés dans l'IEC 61851-1:2017 qui fonctionnent à différentes tensions et fréquences et qui peuvent inclure la très basse tension (TBT) et les signaux de communication.

L'utilisation de ces appareils pour un transfert bidirectionnel de puissance est actuellement à l'étude.

Le présent document s'applique aux appareils à utiliser à une température ambiante comprise entre  $-30\text{ °C}$  et  $+40\text{ °C}$ .

NOTE 2 Dans le pays suivant, d'autres exigences relatives à la température inférieure peuvent s'appliquer: NO.

NOTE 3 Dans le pays suivant, la température de  $-35\text{ °C}$  s'applique: SE.

Ces appareils sont destinés à être connectés uniquement à des câbles ayant des conducteurs en cuivre ou en alliage de cuivre.

Les socles de connecteurs de véhicules et prises mobiles de véhicules décrits dans le présent document sont destinés à être utilisés pour la charge dans les modes 1, 2 et 3, cas B et C. Les socles de prises de courant VE et les fiches VE couverts par le présent document sont destinés à être utilisés pour la charge en mode 3 uniquement, cas A et B.

Les modes et connexions autorisés sont spécifiés dans l'IEC 61851-1:2017.

### 2 Références normatives

L'Article 2 de l'IEC 62196-1:2022 s'applique avec les exceptions suivantes:

*Ajout:*

IEC 62196-1:2022, *Fiches, socles de prise de courant, prises mobiles de véhicule et socles de connecteur de véhicule – Charge conductive des véhicules électriques – Partie 1: Exigences générales*

### **3 Termes et définitions**

L'Article 3 de l'IEC 62196-1:2022 s'applique.

### **4 Généralités**

L'Article 4 de l'IEC 62196-1:2022 s'applique.

### **5 Caractéristiques assignées**

L'Article 5 de l'IEC 62196-1:2022 s'applique avec les exceptions suivantes:

#### **5.1 Plages des tensions assignées d'emploi recommandées**

*Remplacement:*

*Remplacer le texte et le titre existants de l'IEC 62196-1:2022, 5.1 par ce qui suit:*

#### **5.1 Plages des tensions assignées d'emploi**

Les tensions assignées d'emploi sont les suivantes:

- 30 V (signal ou fonctions de contrôle uniquement);
- 250 V courant alternatif;
- 480 V courant alternatif.

#### **5.2 Courants assignés recommandés**

*Remplacement:*

*Remplacer le titre existant de l'IEC 62196-1:2022, 5.2 et le texte existant du paragraphe 5.2.1 par ce qui suit:*

#### **5.2 Courants assignés**

##### **5.2.1 Généralités**

Les courants assignés sont les suivants:

- 13 A monophasé;
- 16 A monophasé et triphasé;
- 20 A monophasé et triphasé;
- 30 A ou 32 A monophasé et triphasé;
- 60 A ou 63 A monophasé et triphasé;
- 70 A monophasé uniquement.

NOTE 1 Dans le pays suivant, le dispositif de protection contre les surintensités du circuit de dérivation est basé sur 125 % du courant assigné de l'appareil: US.

NOTE 2 La référence aux caractéristiques assignées de "30 A ou 32 A" et "60 A ou 63 A" est faite conformément aux exigences nationales.

## 6 Connexion entre l'alimentation électrique et le véhicule électrique

L'Article 6 de l'IEC 62196-1:2022 s'applique avec les exceptions suivantes:

### 6.1 Interfaces

*Remplacement:*

*Remplacer le texte existant de l'IEC 62196-1:2022, 6.1 par ce qui suit:*

Le présent Article 6 décrit les exigences physiques relatives à l'interface électrique conductive entre le véhicule et l'alimentation électrique et autorise la conception suivante pour cette interface:

- une interface basique qui fournit des courants alternatifs assignés jusqu'à 63 A triphasé et jusqu'à 70 A monophasé.

Différents types de configurations pour l'interface basique peuvent permettre une application différente du mode et des courants assignés. Voir l'introduction aux feuilles de norme correspondantes pour plus d'informations.

### 6.2 Interface basique

*Remplacement:*

*Remplacer le texte existant de l'IEC 62196-1:2022, 6.2 par ce qui suit:*

Il existe un type de socle de connecteur de véhicule:

- basique

L'interface basique peut posséder jusqu'à sept contacts de puissance ou de signal, avec des configurations physiques uniques pour la position des contacts en monophasé ou en triphasé. Les caractéristiques électriques assignées et leurs fonctions sont décrites dans le Tableau 201 et le Tableau 202. Leurs caractéristiques électriques assignées et leurs fonctions sont décrites dans les feuilles de norme.

Chaque socle de connecteur de véhicule doit être uniquement compatible avec le type correspondant de prise mobile de véhicule. Chaque fiche VE doit être uniquement compatible avec le type correspondant de socle de prise de courant VE.

Les appareils de type 1, 2 ou 3 ont les caractéristiques assignées suivantes:

- la prise de courant de véhicule de type 1: 250 V, 32 A monophasé;
- la prise de courant de véhicule, le socle de prise de courant VE et la fiche VE de type 2:
  - 250 V, 13 A ou 20 A ou 32 A, ou 63 A ou 70 A monophasé;
  - 480 V, 13 A ou 20 A ou 32 A ou 63 A, triphasé.
- la prise de courant de véhicule, le socle de prise de courant VE et la fiche VE de type 3:
  - 250 V, 16 A ou 32 A, monophasé;
  - 480 V, 32 A ou 63 A triphasé.

**Tableau 201 – Présentation de l'interface basique pour véhicule, configuration de type 1, monophasé**

Position n° <sup>a</sup>	Courant alternatif	Fonctions <sup>c</sup>
1	250 V 32 A <sup>b</sup>	L1 (réseau 1)
2	250 V 32 A	L2 (réseau 2) / N (neutre)
3	Dimensionné pour les défauts	PE (masse/terre)
4	30 V 2 A	CP (pilote de commande)
5	30 V 2 A	CS (commutateur de connexion)

<sup>a</sup> Le numéro de position ne fait pas référence à l'emplacement et/ou à l'identification du contact dans l'appareil.

<sup>b</sup> Dans le pays suivant, la protection contre les surintensités du circuit de dérivation est basée sur 125 % du courant assigné de l'appareil: US.

<sup>c</sup> Pour les contacts 4 et 5, les conditions d'environnement peuvent exiger des sections de conducteurs plus grandes.

**Tableau 202 – Présentation de l'interface basique pour véhicule, configuration de types 2 et 3, monophasé ou triphasé**

Position n° <sup>f</sup>	$U_{max}$	Triphasé		Monophasé		Fonctions
		$I_{max}^a$		$I_{max}^a$		
	V.C.A.	A		A		
		Type 2	Type 3	Type 2 <sup>b</sup>	Type 3	
1	480	63		70	63	L1 (réseau 1) <sup>b</sup>
2	480	63		- <sup>c</sup>	- <sup>c</sup>	L2 (réseau 2)
3	480	63		- <sup>c</sup>	- <sup>c</sup>	L3 (réseau 3)
4	480	63		70	63	N (neutre) <sup>b, e</sup>
5	—	Dimensionné pour les défauts				PE (masse/terre)
6	30	2				CP (pilote de commande)
7	30	2				PP (contact de proximité) <sup>d</sup> ou CS (commutateur de connexion) <sup>d</sup>

<sup>a</sup> Dans le pays suivant, la protection contre les surintensités du circuit de dérivation est basée sur 125 % du courant assigné de l'appareil: US.

<sup>b</sup> En monophasé, les contacts de charge 1 et 4 doivent être utilisés.

<sup>c</sup> Les contacts non utilisés peuvent ne pas être installés. Non fournis pour les Feuilles de norme 2-IIIa et 2-IIIb.

<sup>d</sup> Non fournis pour la Feuille de norme 2-IIIa.

<sup>e</sup> Pour les alimentations monophasées entre phases, ce contact peut être utilisé pour L2 (réseau 2).

<sup>f</sup> Le numéro de position ne fait pas référence à l'emplacement et/ou à l'identification du contact dans l'appareil.

### 6.3 Interface en courant continu

*Non applicable*

### 6.4 Interface combinée

*Non applicable.*

*Ajout:*

*Ajouter le nouveau paragraphe suivant:*

#### **6.201 Communication et fonction de pilote de commande**

Le pilote de commande et le contact de proximité, ou le contact du commutateur de connexion sont destinés à être utilisés conformément à l'IEC 61851-1:2017.

### **7 Classification des appareils**

L'Article 7 de l'IEC 62196-1:2022 s'applique avec les exceptions suivantes:

#### **7.4 Selon les manœuvres d'un point de vue électrique**

*Remplacement:*

*Remplacer le texte existant de l'IEC 62196-1:2022, 7.4 par ce qui suit:*

- aptes à établir et à interrompre un circuit électrique en charge pour les configurations de types 1 et 3 avec une valeur assignée de 32 A;
- non aptes à établir et à interrompre un circuit électrique en charge pour la configuration de type 2;
- non aptes à établir et à interrompre un circuit électrique en charge pour les configurations de type 3 avec une valeur assignée de 63 A.

NOTE Il est considéré que les circuits de communication décrits dans le présent document n'établissent ni n'interrompent la charge dans le cadre du présent paragraphe 7.4.

#### **7.5 Selon leur interface**

*Remplacement:*

*Remplacer le texte existant de l'IEC 62196-1:2022, 7.5 par ce qui suit:*

L'interface est définie à l'Article 6:

- type basique.

*Ajout:*

*Ajouter le nouveau paragraphe suivant:*

#### **7.201 Selon la feuille de norme utilisée**

- configuration de type 1;
- configuration de type 2;
- configuration de type 3.

### **8 Marquage**

L'Article 8 de l'IEC 62196-1:2022 s'applique.

### **9 Dimensions**

L'Article 9 de l'IEC 62196-1:2022 s'applique avec les exceptions suivantes:

*Ajout:*

.....

Ajouter le nouveau paragraphe suivant:

**9.201 Feuilles de norme**

Les appareils doivent être conformes aux feuilles de norme correspondantes telles que spécifiées ci-dessous et dans le Tableau 203:

- Configuration de type 1
  - Prises de courant de véhicule 32 A, 250 V monophasé: Feuille de norme 2-I.
  - Système d'accrochage facultatif: Feuille de norme 2-Ia.

NOTE Dans les pays suivants, les Feuilles de norme 2-I et 2-Ia peuvent s'appliquer à des prises de courant de véhicule présentant un courant assigné jusqu'à 80 A: US, KR.

- Configuration de type 2
  - Appareil 63 A, 480 V triphasé ou 250 V, 70 A monophasé: Feuilles de norme 2-II, IIa, IIb, IIc, IIe, IIg, IIh, comme spécifié dans le Tableau 204.
- Configuration de type 3
  - Appareils 16 A, 250 V monophasé avec un pilote: Feuille de norme 2-IIIa;
  - Appareils 32 A, 250 V monophasé avec deux pilotes: Feuille de norme 2-IIIb;
  - Appareils 63 A, 480 V triphasé avec deux pilotes: Feuille de norme 2-IIIc;
  - Dispositif d'accrochage et volume enveloppe: Feuille de norme 2-IIId.

**Tableau 203 – Types de configurations et feuilles de norme**

Type de configuration	Feuille de norme	Appareils applicables	Tension assignée V	Courant assigné A	Phase
1	2-I	Prises de courant de véhicule	250	32	Monophasé
2	2-II	Appareils	250	70	Monophasé
			480	63	Triphasé
3	2-III	Appareils	250	16	Monophasé
			250	32	Monophasé
			480	63	Triphasé

**10 Protection contre les chocs électriques**

L'Article 10 de l'IEC 62196-1:2022 s'applique.

**11 Section et couleur des conducteurs de terre et de neutre**

*Remplacement:*

*Remplacer le texte existant de l'IEC 62196-1:2022, Article 11 par ce qui suit:*

Le conducteur relié à la borne de terre doit être identifié par la combinaison des couleurs verte et jaune. La section nominale du conducteur de terre et du conducteur de neutre, le cas échéant, doit être au moins égale à celle des conducteurs de phase.

NOTE Dans les pays suivants, la couleur verte peut être utilisée pour identifier le conducteur de terre: JP, US, CA, KR, BR.



## **12 Dispositions pour la mise à la terre**

L'Article 12 de l'IEC 62196-1:2022 s'applique.

## **13 Bornes**

L'Article 13 de l'IEC 62196-1:2022 s'applique avec les exceptions suivantes:

*Ajout:*

*Ajouter le nouveau paragraphe suivant:*

**13.201** La connexion filaire interne des composants, par exemple les résistances de codage, peut être démontable ou non démontable.

## **14 Dispositifs de verrouillage**

L'Article 14 de l'IEC 62196-1:2022 s'applique.

## **15 Résistance au vieillissement du caoutchouc et des matériaux thermoplastiques**

L'Article 15 de l'IEC 62196-1:2022 s'applique.

## **16 Construction générale**

L'Article 16 de l'IEC 62196-1:2022 s'applique.

## **17 Construction des socles de prise de courant VE – Généralités**

L'Article 17 de l'IEC 62196-1:2022 s'applique.

## **18 Construction des fiches VE et des prises mobiles de véhicule**

L'Article 18 de l'IEC 62196-1:2022 s'applique.

## **19 Construction des socles de connecteur de véhicule**

L'Article 19 de l'IEC 62196-1:2022 s'applique.

## **20 Degrés de protection**

L'Article 20 de l'IEC 62196-1:2022 s'applique.

## **21 Résistance d'isolement et rigidité diélectrique**

L'Article 21 de l'IEC 62196-1:2022 s'applique.

## **22 Pouvoir de coupure**

L'Article 22 de l'IEC 62196-1:2022 s'applique.

## **23 Fonctionnement normal**

L'Article 23 de l'IEC 62196-1:2022 s'applique.

## **24 Echauffement**

L'Article 24 de l'IEC 62196-1:2022 s'applique avec les exceptions suivantes:

### **24.1 Ajout:**

*Ajouter, après le septième paragraphe du texte existant, c'est-à-dire "Les appareils non démontables sont soumis à essai en l'état de livraison", ce qui suit:*

*Pour les appareils dépendant de résistances de codage destinées à définir le courant assigné à l'appareil, l'essai doit être répété à l'aide d'un ensemble de trois échantillons pour chaque valeur de résistance de codage et à un courant maximal correspondant à la valeur de la résistance de codage.*

## **25 Câbles souples et leur raccordement**

L'Article 25 de l'IEC 62196-1:2022 s'applique.

## **26 Résistance mécanique**

L'Article 26 de l'IEC 62196-1:2022 s'applique.

## **27 Vis, parties transportant le courant et connexions**

L'Article 27 de l'IEC 62196-1:2022 s'applique.

## **28 Lignes de fuite, distances dans l'air et distances à travers le composé de remplissage**

L'Article 28 de l'IEC 62196-1:2022 s'applique.

## **29 Résistance à la chaleur et au feu**

L'Article 29 de l'IEC 62196-1:2022 s'applique.

## **30 Corrosion et résistance à la rouille**

L'Article 30 de l'IEC 62196-1:2022 s'applique.

## **31 Courant de court-circuit conditionnel**

L'Article 31 de l'IEC 62196-1:2022 s'applique.

## **32 Compatibilité électromagnétique (CEM)**

L'Article 32 de l'IEC 62196-1:2022 s'applique.

## **33 Ecrasement par roulage de véhicule**

L'Article 33 de l'IEC 62196-1:2022 s'applique avec les exceptions suivantes:

**33.3** *Non applicable.*

**33.4** *Non applicable.*

## **34 Cycle thermique**

L'Article 34 de l'IEC 62196-1:2022 s'applique.

## **35 Exposition à l'humidité**

L'Article 35 de l'IEC 62196-1:2022 s'applique.

## **36 Désalignement**

L'Article 36 de l'IEC 62196-1:2022 s'applique.

## **37 Essai d'endurance de contact**

L'Article 37 de l'IEC 62196-1:2022 s'applique.

## **201 Codage par résistances**

La prise mobile de véhicule et la fiche VE des configurations de type 2 et de types 3b et 3c doivent être équipées de résistances de codage ( $R_c$ ) afin de définir le courant admissible maximal du câble de charge, de la prise mobile de véhicule et de la fiche VE.

Les valeurs et les tolérances de la résistance doivent être telles que spécifiées dans l'IEC 61851-1:2017, paragraphe B.2.

*La conformité est vérifiée par examen.*

## **FEUILLES DE NORME**

### **CONFIGURATION DE TYPE 1**

PRISE DE COURANT DE VEHICULE 32 A, 250 V C.A.

FEUILLES DE NORME 2-I

#### **Vue d'ensemble**

Les Feuilles de norme 2-I s'appliquent à la configuration de type 1: prises de courant de véhicule 32 A, 250 V monophasé.

Pour la configuration de type 1, l'Annexe A "Fonction pilote de commande à travers un circuit pilote de commande utilisant un signal MLI et un fil pilote de commande" et l'Annexe B "Circuits de l'interface basique pour la détection de proximité et le codage du courant de câble" de l'IEC 61851-1:2017 doivent être appliquées. La tension +V en courant continu du Tableau B.1 de l'IEC 61851-1:2017 doit être une alimentation régulée à +5 V.

Les Feuilles de norme 2-Ia définissent le système d'accrochage facultatif.

Pour plus de détails sur le verrouillage du crochet, voir l'IEC 62196-3, Feuille de norme 3-IIIc.

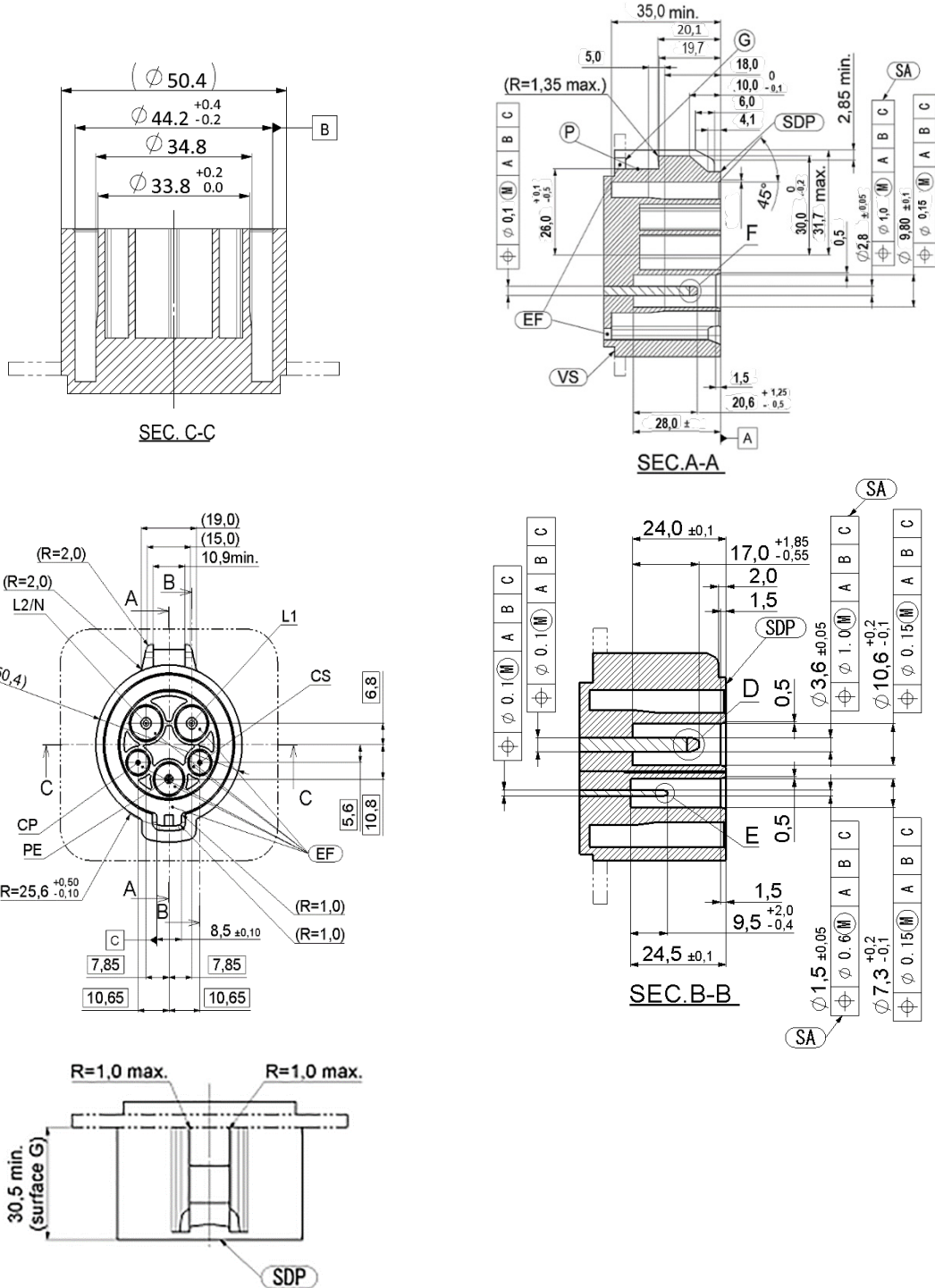
Cette configuration ne doit pas être utilisée en mode 1 au-dessus de 150 V entre phase et terre.

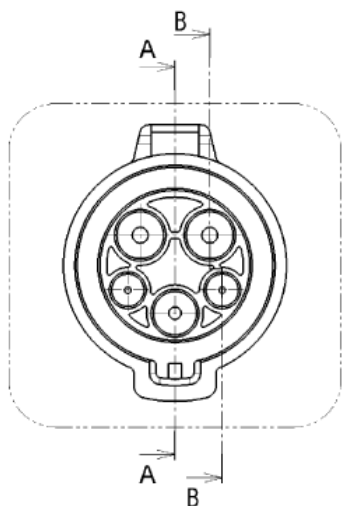
**CONFIGURATION DE TYPE 1**

**FEUILLES DE NORME 2-I**  
**SOCLE DE CONNECTEUR DE VEHICULE 250 V COURANT ALTERNATIF JUSQU'A 32 A**

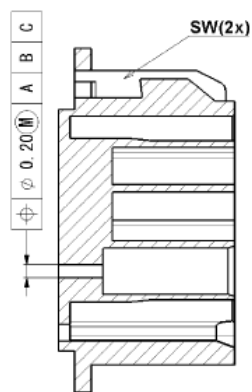
*Feuille 1*

Dimensions en millimètres

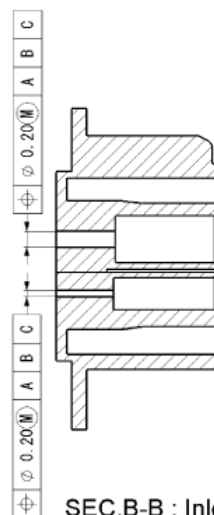




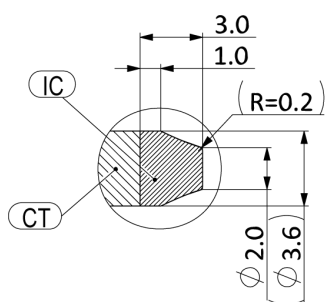
**Inlet Housing Only**



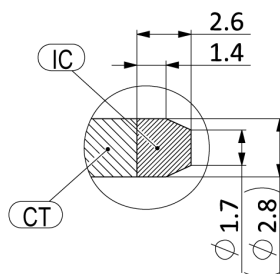
**SEC.A-A : Inlet Housing Only**  
(terminals not shown for clarification)



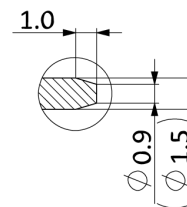
**SEC.B-B : Inlet Housing Only**  
(terminals not shown for clarification)



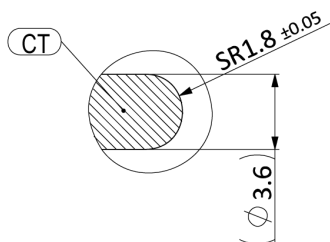
DETAIL D(L1,L2/N) with IC



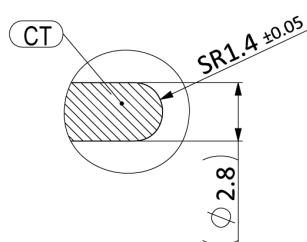
DETAIL F(PE) with IC



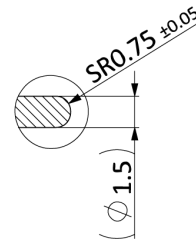
DETAIL E(CP,CS)



DETAIL D(L1,L2/N)  
optional shape



DETAIL F(PE)  
optional shape



DETAIL E(CP,CS)  
optional shape

Anglais	Français
DETAIL D(L1.L2/N) with IC	DETAIL D (L1.L2/N) avec IC
DETAIL F(PE) with IC	DETAIL F (PE) avec IC
DETAIL E(CP.CS)	DETAIL E (CP.CS)
DETAIL D(L1.L2/N) optional shape	DETAIL D (L1.L2/N) forme facultative
DETAIL F(PE) optional shape	DETAIL F (PE) forme facultative
DETAIL E(CP.CS) optional shape	DETAIL E (CP.CS) forme facultative
DETAIL D(L1.L2/N) w/o IC	DETAIL D (L1.L2/N) sans IC
DETAIL F(PE) w/o IC	DETAIL F(PE) sans IC
Inlet Housing Only	Uniquement enveloppe de socle de connecteur
SEC. A-A: Inlet Housing Only (terminals not shown for clarification)	COUPE A-A: Uniquement enveloppe de socle de connecteur (bornes non représentées pour plus de clarté)
SEC. B-B: Inlet Housing Only (terminals not shown for clarification)	COUPE B-B: Uniquement enveloppe de socle de connecteur (bornes non représentées pour plus de clarté)

a valeur entre parenthèses sert de référence.

Tolérance générale			
0 max.: $\pm 0,15$	50 max.: $\pm 0,2$	100 max.: $\pm 0,3$	Angle: $\pm 30^\circ$

**Légende**

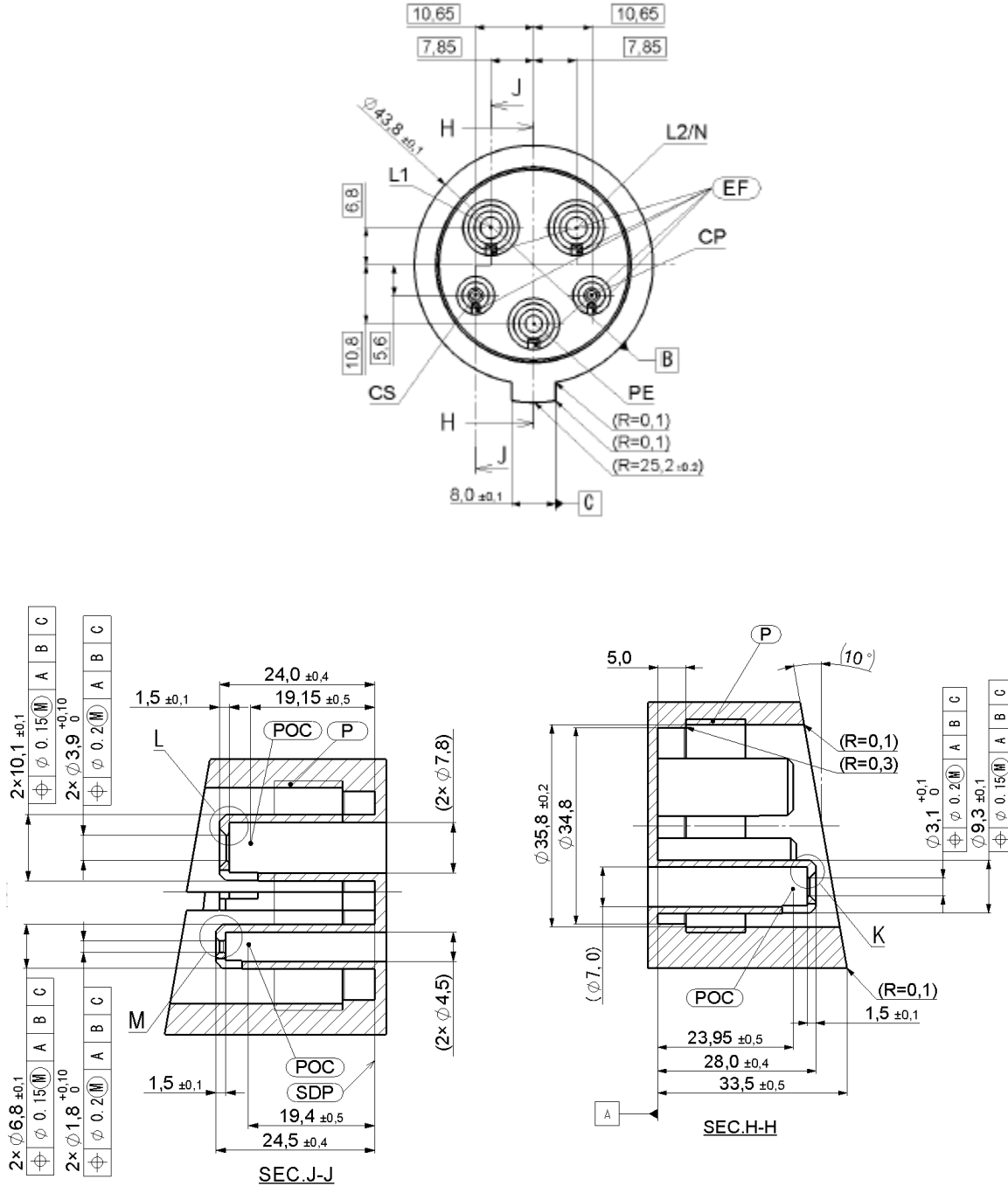
SDP	Plan de référence normalisé	EF	Sortie des fluides (le cas échéant)
G	Surface G (le cas échéant)	VS	Surface du véhicule
P	Surface P	SW	Paroi latérale facultative
IC	Embout isolé (le cas échéant)	SA	Ces tolérances de position s'appliquent uniquement pour les contacts à autoalignement
CT	Contact		

**CONFIGURATION DE TYPE 1**

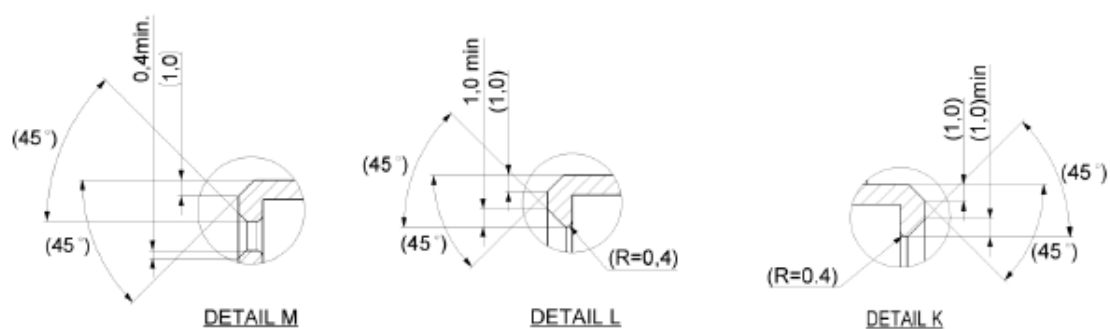
FEUILLES DE NORME 2-I  
PRISE MOBILE DE VEHICULE

*Feuille 2 (suite de la Feuille 1)*

Dimensions en millimètres







La valeur entre parenthèses sert de référence.

Tolérance générale			
10 max.: $\pm 0,15$	50 max.: $\pm 0,2$	100 max.: $\pm 0,3$	Angle: $\pm 30^\circ$

#### Légende

EF	Sortie des fluides (le cas échéant)
P	Garniture (si nécessaire); une méthode d'étanchéité pour IP44 lorsqu'il est couplé au socle de connecteur de véhicule
SDP	Plan de référence normalisé de la prise mobile de véhicule
POC	Point de contact

**CONFIGURATION DE TYPE 1**

**FEUILLES DE NORME 2-I  
POINT DE CONTACT FACULTATIF DE PRISE MOBILE DE VEHICULE**

*Feuille 3 (suite de la Feuille 2)*

Dimensions en millimètres



Anglais	Français
SEC. J-J	COUPE J-J
SEC. H-H	COUPE H-H

Chaque POC décidé par le fabricant doit être dans la zone indiquée et satisfaire aux équations ci-dessous

$$POC(a) \text{ max.} - POC(b) \text{ min.} \leq 2,9$$

$$POC(c) \text{ max.} - POC(b) \text{ max.} \geq 2,9$$

La valeur entre parenthèses sert de référence

Tolérance générale			
10 max.: ±0,15	50 max.: ±0,2	100 max.: ±0,3	Angle: ±30°

**Légende**

- POC(a) Point de contact pour signal
- POC(b) Point de contact pour puissance
- POC(c) Point de contact pour PE

**CONFIGURATION DE TYPE 1**

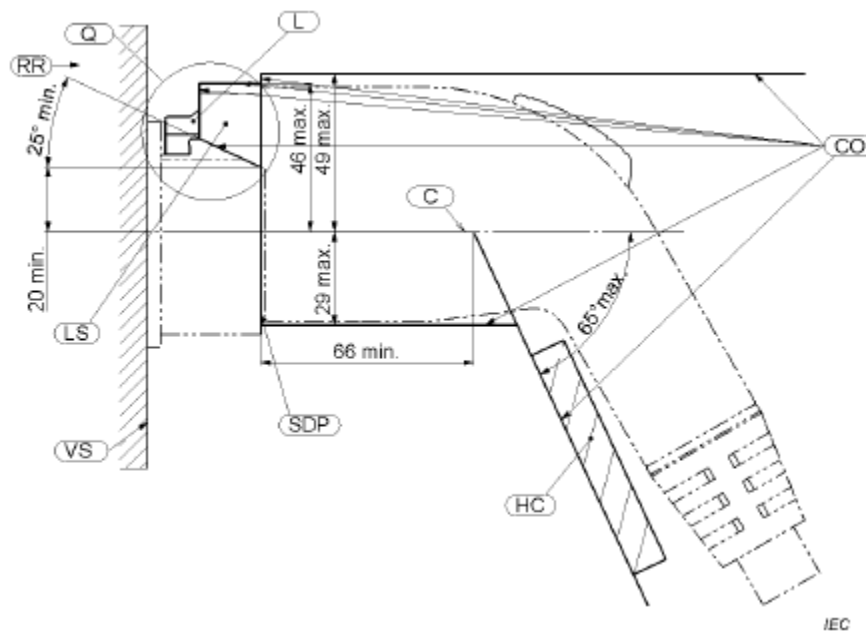
FEUILLES DE NORME 2-I  
 PRISE MOBILE DE VEHICULE  
 DISPOSITIF DE RETENUE POUR PRISE DE COURANT DE VEHICULE IP44

DIMENSIONS MAXIMALES DU CONTOUR DU CORPS

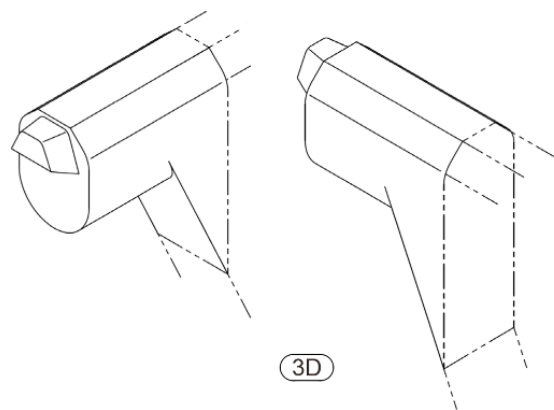
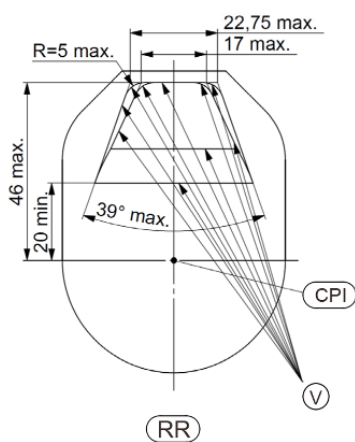
*Feuille 4 (suite de la Feuille 3)*

Crochet en position fermée

Dimensions en millimètres



Vue de côté de la prise de courant de véhicule



**Légende**

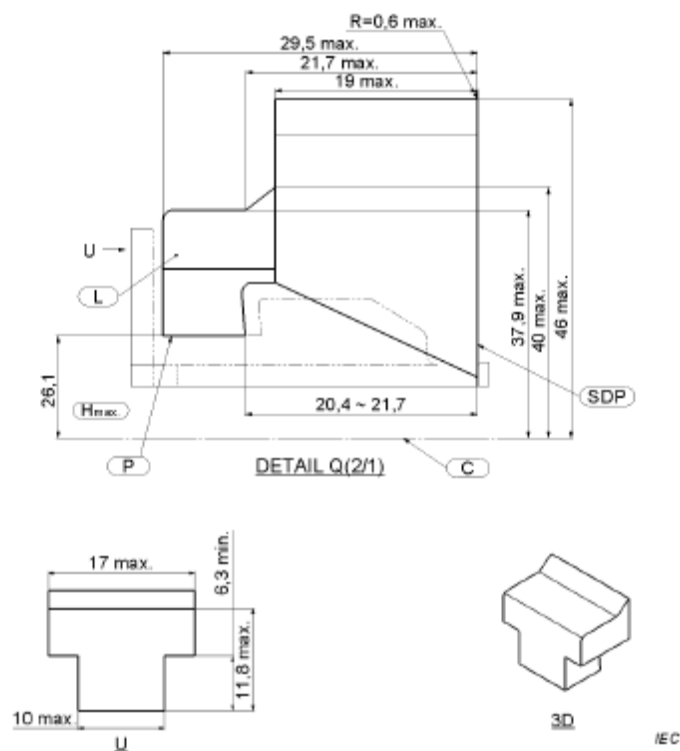
CO	La forme du corps de la prise mobile de véhicule doit se trouver à l'intérieur de ces lignes pleines
C	Axe du socle de connecteur de véhicule
SDP	Plan de référence normalisé du socle de connecteur de véhicule
LS	Capotage du crochet (le cas échéant)
VS	Surface du véhicule
L	Crochet
V	Le cas échéant, la forme du capotage du crochet doit être à l'intérieur de ces lignes continues. Le crochet ne doit pas dépasser au-delà de ce profil quand il est en position complètement « ouvert ».
Q	Voir la suite
RR	La vue RR indique la forme du capotage, le cas échéant
3D	Vue 3D
HC	Il convient que l'espace libre prévu pour la main ou la zone d'exclusion (zone entre les lignes pleines du "corps de la prise mobile de véhicule") soit suffisant(e) pour accueillir la main de l'utilisateur lors de la connexion et de la déconnexion de la prise mobile et du socle de connecteur.

Les dessins ne sont pas destinés à définir la conception du corps de la prise mobile de véhicule et de la forme du crochet, sauf pour les dimensions présentées.

**CONFIGURATION DE TYPE 1****FEUILLES DE NORME 2-I  
DIMENSIONS MAXIMALES DU CONTOUR DU CROCHET***Feuille 5 (suite de la Feuille 4)*

Crochet présenté en contact avec la surface P

Dimensions en millimètres



Les dessins ne sont pas destinés à définir la conception de la forme du crochet, sauf pour les dimensions présentées.

**Légende**

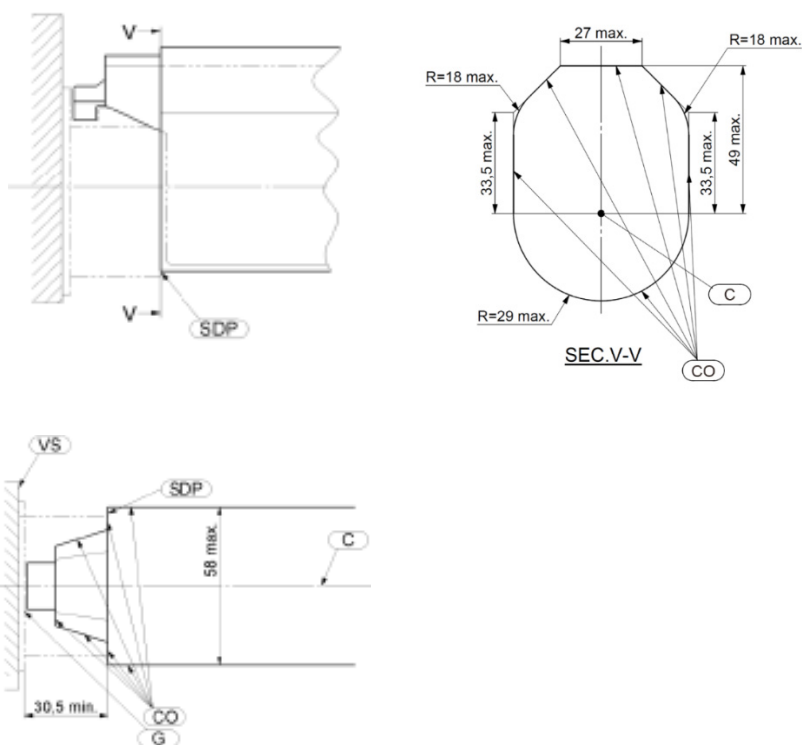
- C           Axe du socle de connecteur de véhicule
- H<sub>max.</sub>       Hauteur maximale de la surface P (voir coupe A-A de la Feuille de norme 2-I)
- L            Crochet
- P            Surface P
- SDP         Plan de référence normalisé du socle de connecteur de véhicule

**CONFIGURATION DE TYPE 1**

**FEUILLES DE NORME 2-I  
PRISE MOBILE DE VEHICULE  
DIMENSIONS MAXIMALES DU CORPS ET CONTOUR DU CROCHET**

*Feuille 6 (suite de la Feuille 5)*

Dimensions en millimètres



Anglais	Français
SEC. J-J	COUPE J-J
SEC. H-H	COUPE H-H

Les dessins ne sont pas destinés à définir la conception du corps de la prise mobile de véhicule et de la forme du crochet, sauf pour les dimensions présentées.

**Légende**

- G Surface G (le cas échéant)
- SDP Plan de référence normalisé du socle de connecteur de véhicule
- C Point central du socle de connecteur de véhicule
- CO La forme du corps de la prise mobile de véhicule doit se trouver à l'intérieur de ces lignes pleines
- VS Surface du véhicule

**CONFIGURATION DE TYPE 1**

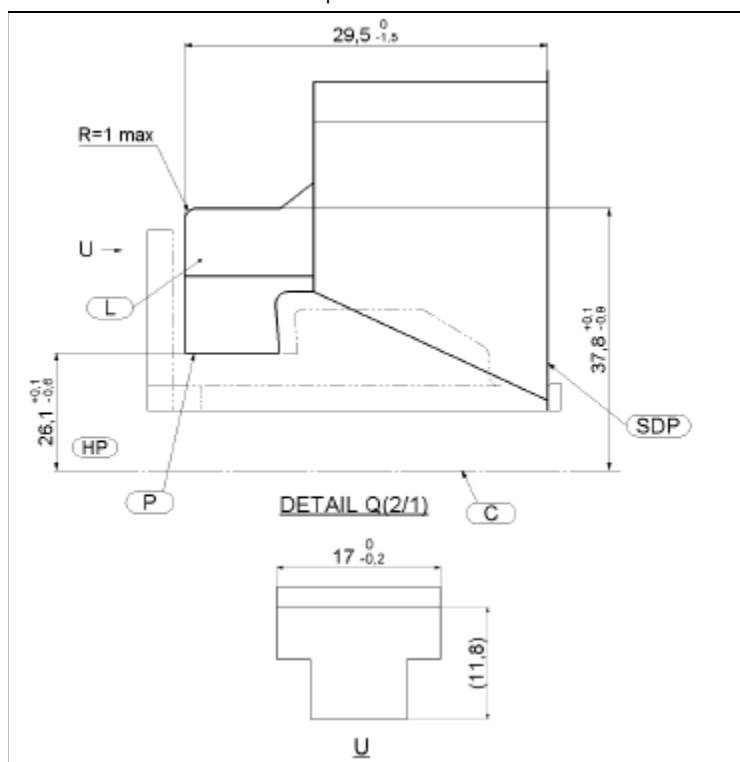
FEUILLES DE NORME 2-la  
 SYSTEME DE VERROUILLAGE FACULTATIF DE PRISE MOBILE DE VEHICULE  
 DIMENSIONS MAXIMALES DU CONTOUR DU CROCHET

*Feuille 1*

Crochet en position fermée

Dimensions en millimètres

Vue de côté de la prise de courant de véhicule



Les dessins ne sont pas destinés à définir la conception du corps de la prise mobile de véhicule et de la forme du crochet, sauf pour les dimensions présentées.

**Légende**

C	Axe du socle de connecteur de véhicule
HP	Point central du socle de connecteur de véhicule
L	Crochet
P	Surface P
SDP	Plan de référence normalisé du socle de connecteur de véhicule

## CONFIGURATION DE TYPE 2

APPAREILS 63 A, 480 V TRIPHASES OU 70 A, 250 V MONOPHASES

FEUILLES DE NORME 2-II

### Vue d'ensemble

Les Feuilles de norme 2-II s'appliquent à la configuration de type 2: appareils 63 A, 480 V en courant alternatif triphasés ou 70 A, 250 V en courant alternatif monophasés.

Pour la configuration de type 2 (voir 6.2), les spécifications suivantes s'appliquent:

Le verrouillage et l'accrochage des appareils sont obligatoires pour éviter leur séparation involontaire et leur coupure en charge. Le verrouillage doit assurer que la transmission d'énergie est interrompue avant la séparation.

NOTE La fonction de verrouillage peut être réalisée, par exemple par un dispositif mécanique ou électromécanique.

Le dispositif de verrouillage doit offrir un retour permettant d'indiquer que le mécanisme est engagé correctement. Au moins un dispositif d'accrochage doit être fourni.

Le retour peut être réalisé par exemple par un contact supplémentaire.

Le contact pilote (CP) doit être utilisé conformément à l'IEC 61851-1:2017, Annexe A. Le contact de détection de proximité (PP) doit être utilisé conformément à l'IEC 61851-1:2017, Article B.2.

La tension +V du Figure B.2 de l'IEC 61851-1:2017 doit être une alimentation régulée à +5 V.

La compatibilité des appareils de configuration de type 2 est indiquée dans le Tableau 204.

**Tableau 204 – Compatibilité des appareils de configuration de type 2**

Appareil <sup>a</sup>	Fiche VE (mode 3) Feuille 2-IIb	Socle de connecteur de véhicule (tous les modes) Feuille 2-IIc	Socle de connecteur de véhicule (modes 2 et 3) Feuille 2-IIe
Socle de prise de courant VE (mode 3) Feuille 2-IIa	Oui	n.a. <sup>d</sup>	n.a. <sup>d</sup>
Prise mobile de véhicule (mode 1) Feuille 2-IIc	Non <sup>b</sup>	Oui	Non <sup>b</sup>
Prise mobile de véhicule (modes 2 et 3) Feuille 2-IIe	Non <sup>c</sup>	Oui	Oui
<sup>a</sup> Les appareils de type 2 ne doivent être utilisés que dans les modes indiqués dans ce Tableau 204. <sup>b</sup> Compatibilité exclue par le codage mécanique. <sup>c</sup> Compatibilité exclue par une ouverture du circuit pilote de commande. <sup>d</sup> Les appareils fixes ne peuvent pas être raccordés ensemble.			

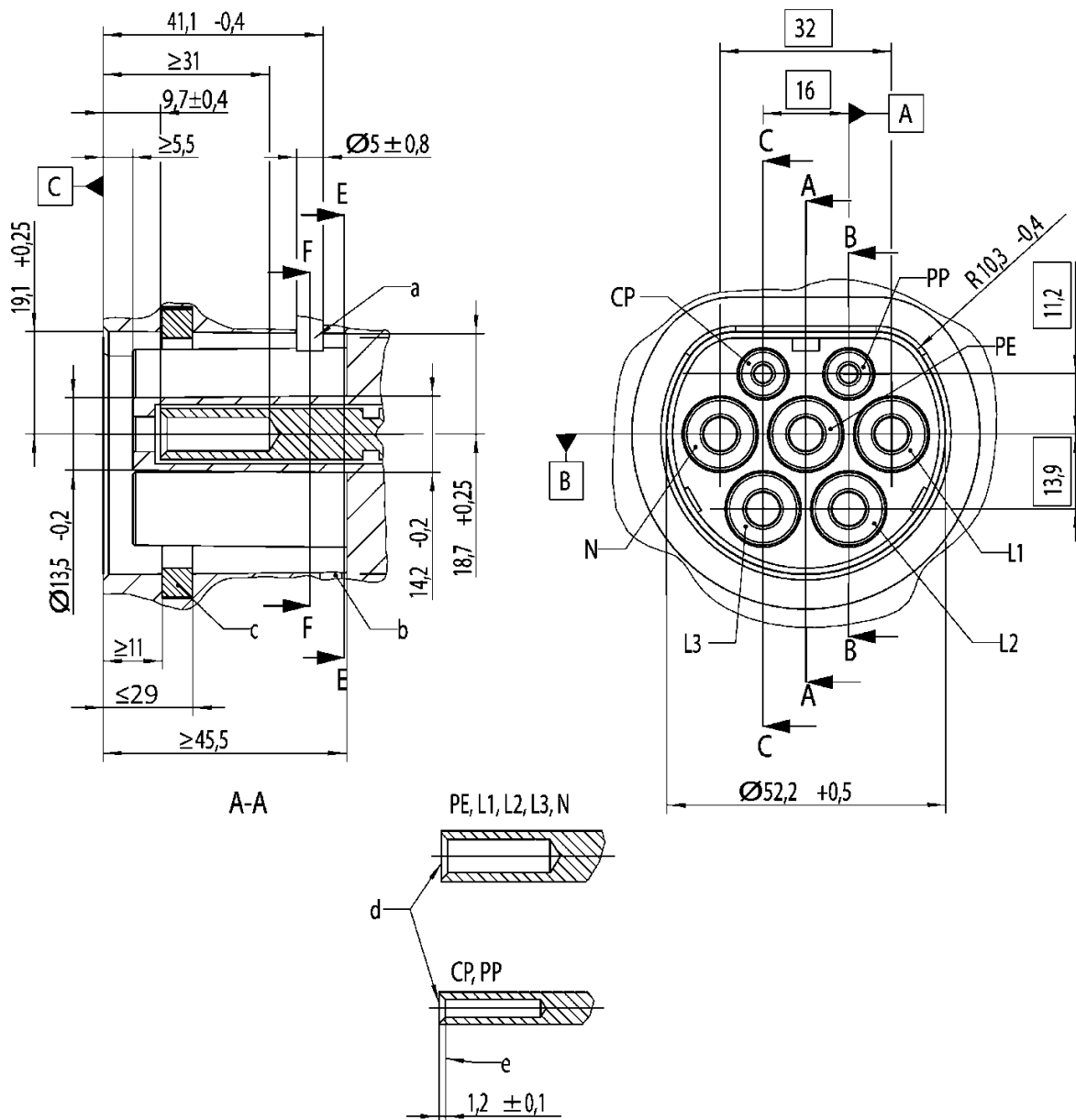
Les feuilles de norme 2-IIg et 2-IIh définissent les volumes enveloppe pour assurer la compatibilité.

Voir également Annexe A pour les informations antérieures.



**CONFIGURATION DE TYPE 2-II****FEUILLES DE NORME 2-IIa  
SOCLE DE PRISE DE COURANT***Feuille 1*

Dimensions en millimètres

**Légende**

Rayons non dimensionnés: R 0,5 mm à 0,7 mm

- a Dispositif d'accrochage – construction conforme à la décision du client
- b Trou de drainage facultatif
- c Zone d'étanchéité (étanchéité facultative). Voir Feuille de norme 2-IIb, Feuille 1.
- d Extrémité des alvéoles chanfreinées pour faciliter l'insertion
- e Point de contact

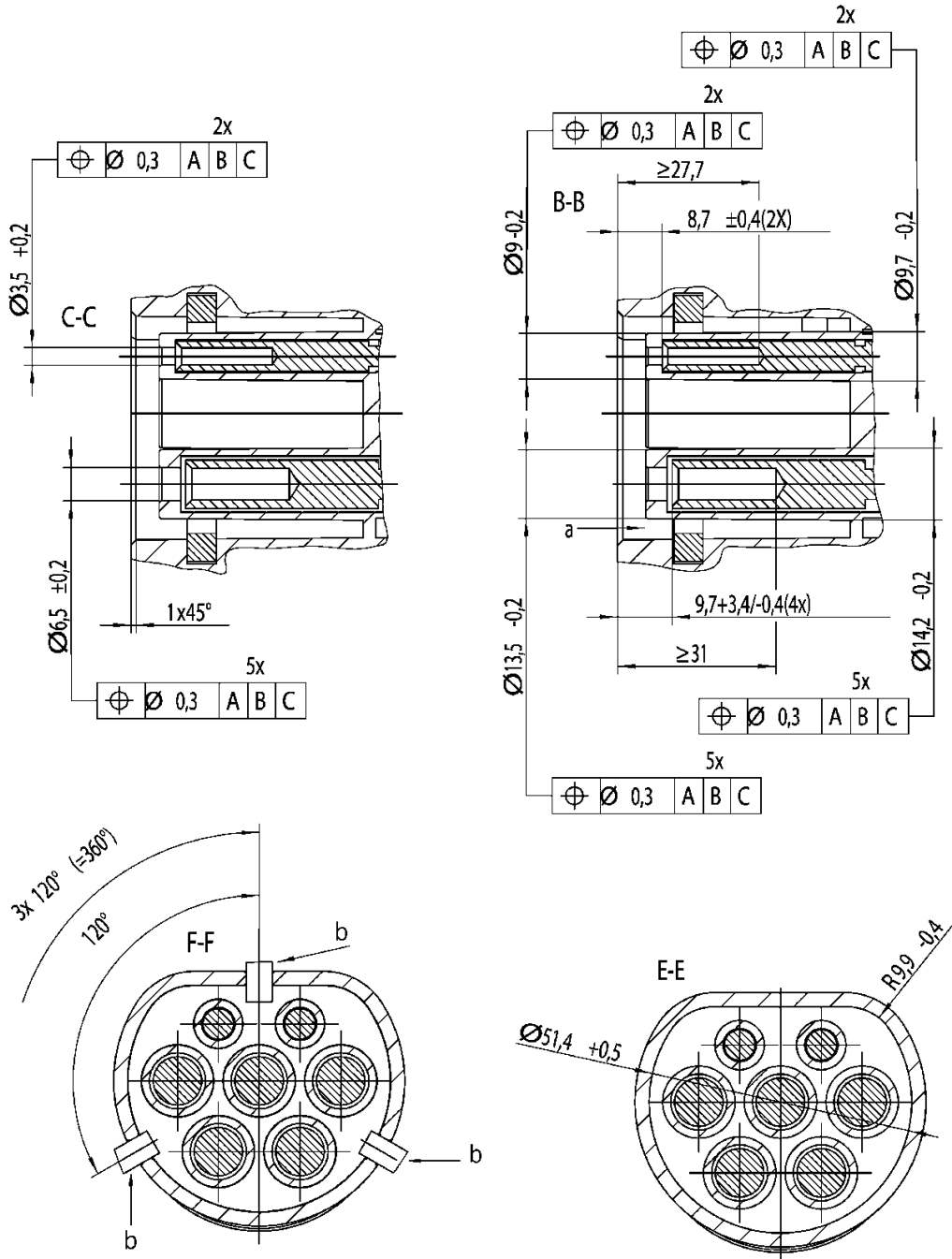
Pour les socles de prises de courant monophasés, les contacts L2 et L3 comprenant l'isolation environnante peuvent être omis.

**CONFIGURATION DE TYPE 2-II**

**FEUILLES DE NORME 2-IIa  
SOCLE DE PRISE DE COURANT**

*Feuille 2 (suite de la Feuille 1)*

Dimensions en millimètres



**Légende**

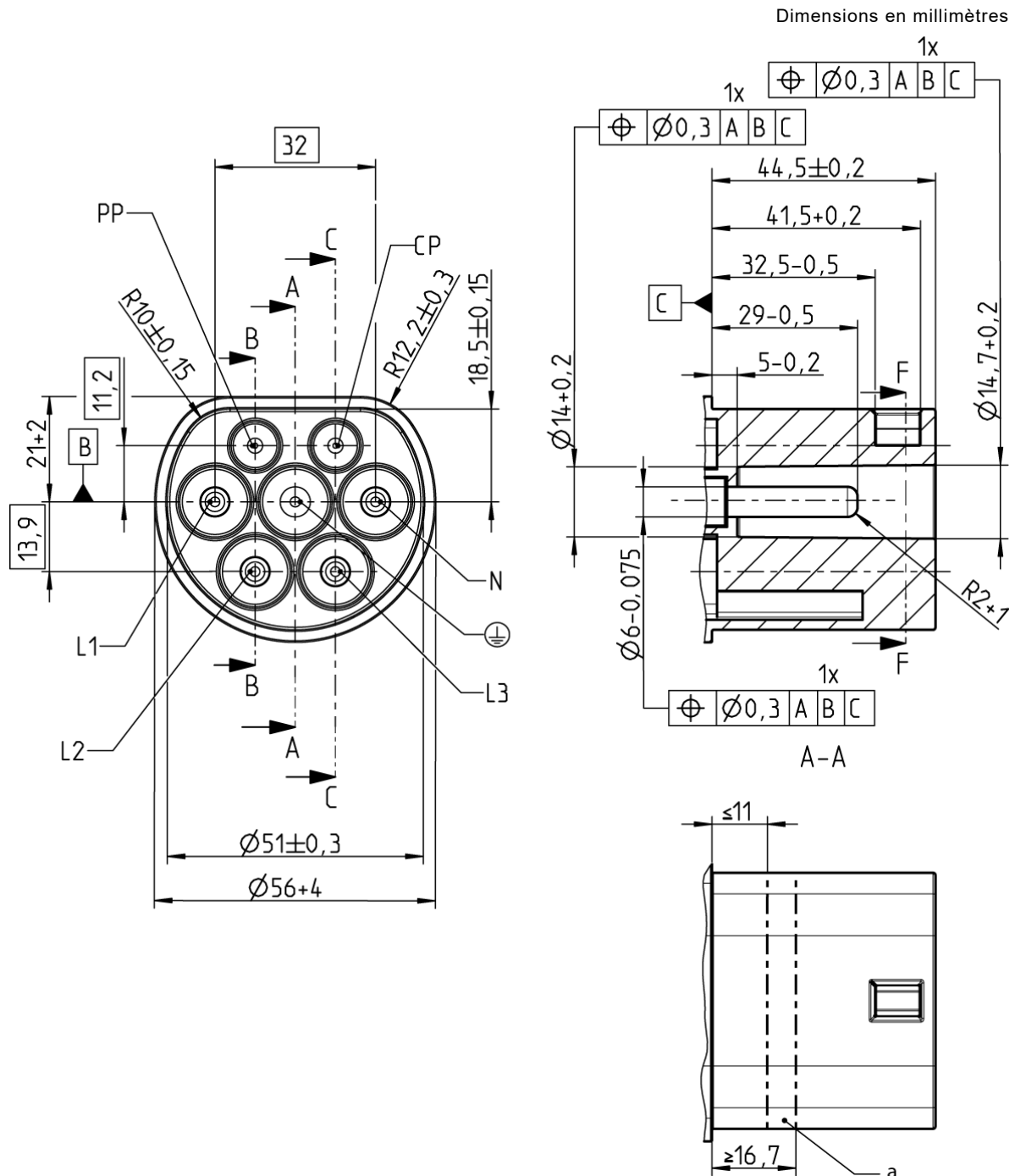
- a Zone préférentielle pour obturateur facultatif. Le mécanisme peut dépasser cette zone.
- b Positions des dispositifs d'accrochage. Au moins un dispositif d'accrochage fourni.

Rayons non dimensionnés: R 0,5 mm à 0,7 mm

## CONFIGURATION DE TYPE 2-II

FEUILLE DE NORME 2-IIb  
FICHE VE

## Feuille 1



## Légende

Rayons non dimensionnés: R 0,5 mm à 0,7 mm

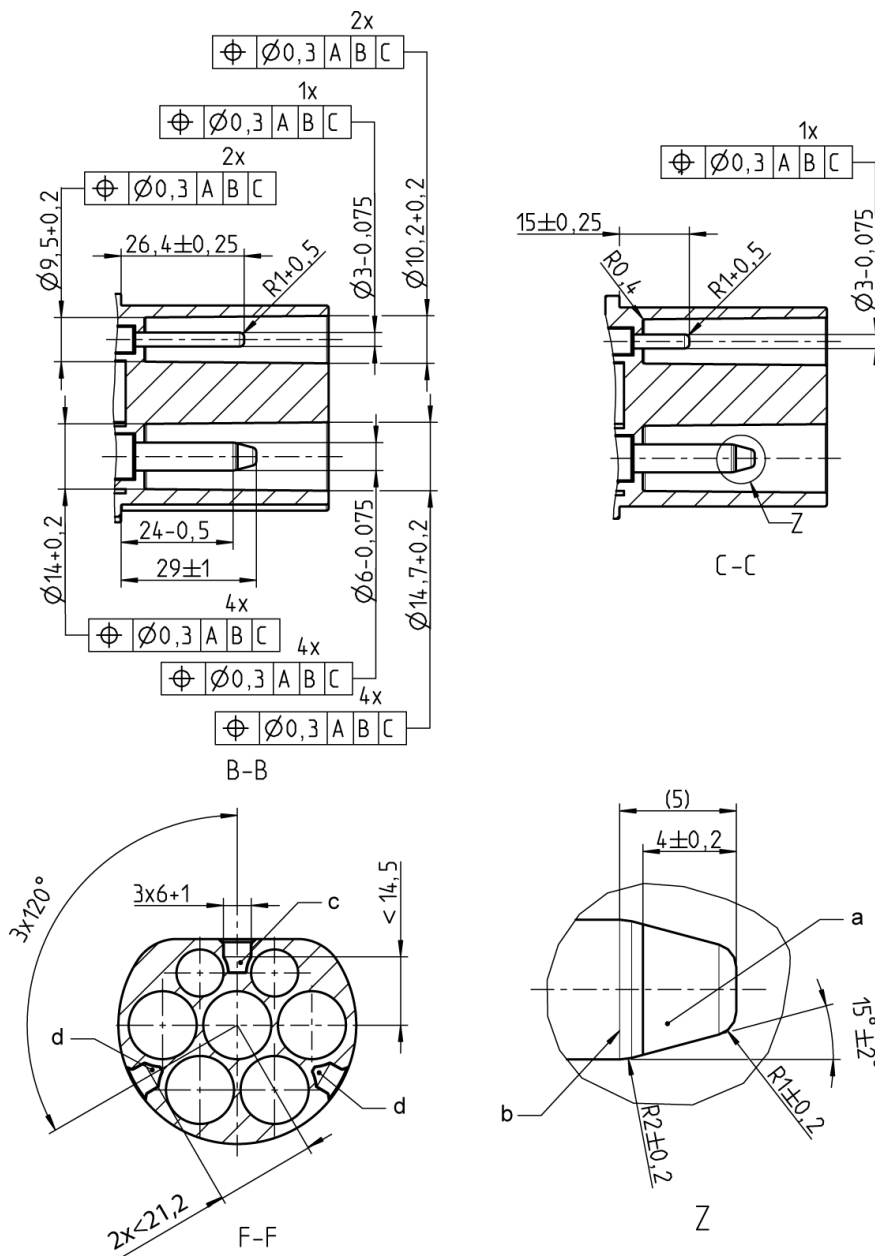
- a Zone d'étanchéité exempte d'embu, de coupe d'outil et d'éjecteur  
Rugosité de surface de la zone d'étanchéité:  $R_a = 0,7 \mu\text{m}$  maximum
- Pour les fiches VE monophasées, les contacts L2 et L3 peuvent être omis.

**CONFIGURATION DE TYPE 2-II**

**FEUILLE DE NORME 2-IIb  
FICHE VE**

*Feuille 2 (suite de la Feuille 1)*

Dimensions en millimètres



Rayons non dimensionnés: R 0,5 mm à 0,7 mm

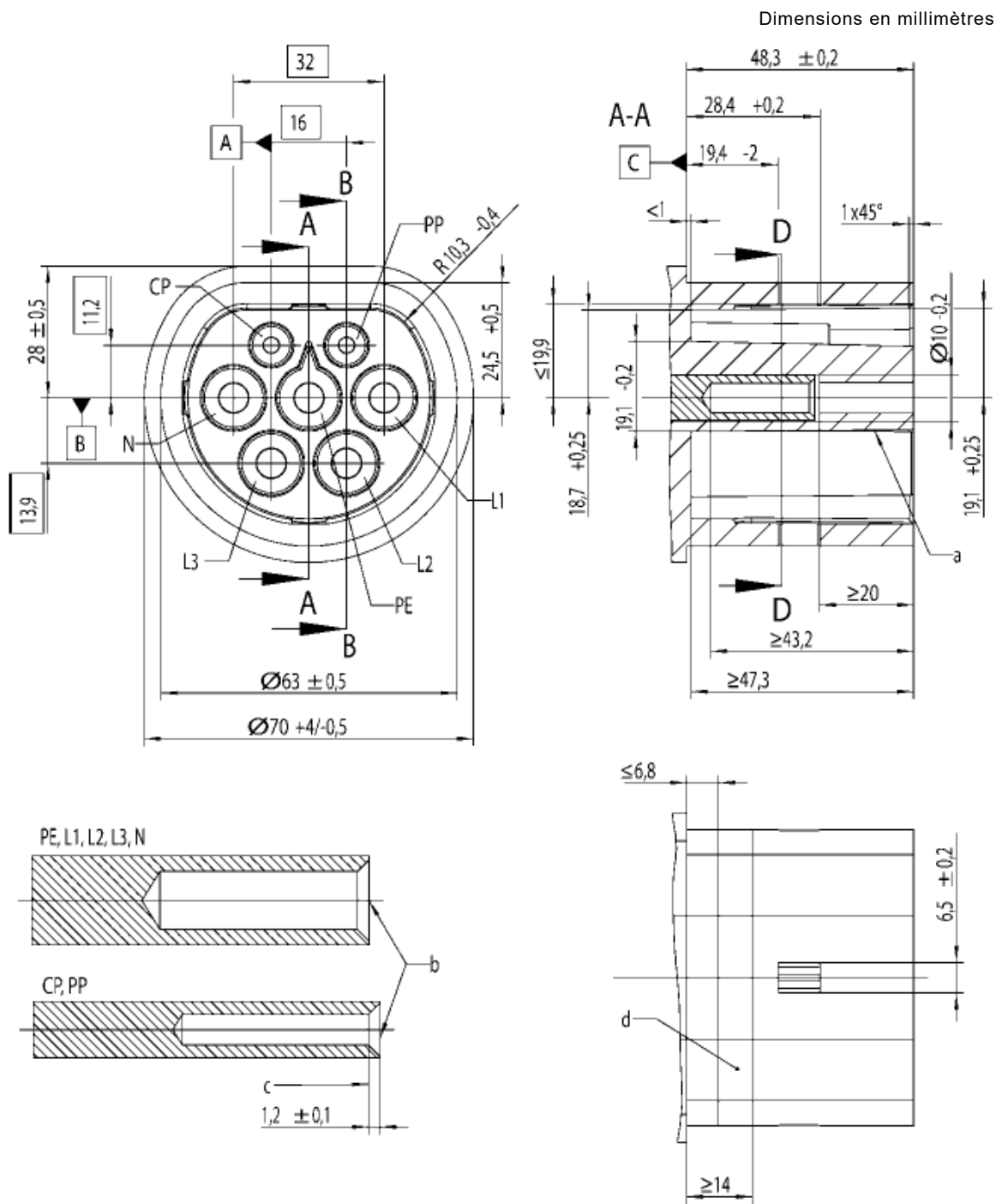
**Légende**

- a Embout isolé
- b Aucune arête vive acceptable au niveau de la région de transition
- c La cavité doit avoir une forme rectangulaire avec des bords lisses et les dimensions indiquées, et doit être à l'intérieur des limites spécifiées sur une distance  $< 14,5$  mm. Au-delà, les limites de la cavité peuvent avoir une forme différente et les dimensions peuvent être différentes.
- d La cavité doit avoir une forme rectangulaire avec des bords lisses et les dimensions indiquées, et doit être à l'intérieur des limites spécifiées sur une distance  $< 21,2$  mm. Au-delà de ces limites, la cavité peut avoir une forme et des dimensions différentes.

## CONFIGURATION DE TYPE 2-II

FEUILLES DE NORME 2-IIc  
PRISE MOBILE DE VEHICULE

## Feuille 1



Rayons non dimensionnés: R 0,5 mm à 0,7 mm

## Légende

a Tous les fonds peuvent être réduits de 17,8 mm si un obturateur est utilisé

Rugosité de surface de la zone d'étanchéité:  
 $R_a = 0,7 \mu\text{m}$

- b Extrémité des alvéoles chanfreinées pour faciliter l'insertion
  - c Point de contact
  - d Zone d'étanchéité exempte d'embu, de coupe d'outil et d'éjecteur
- Pour les prises mobiles monophasées, les contacts L2 et L3 comprenant l'isolation environnante peuvent être omis

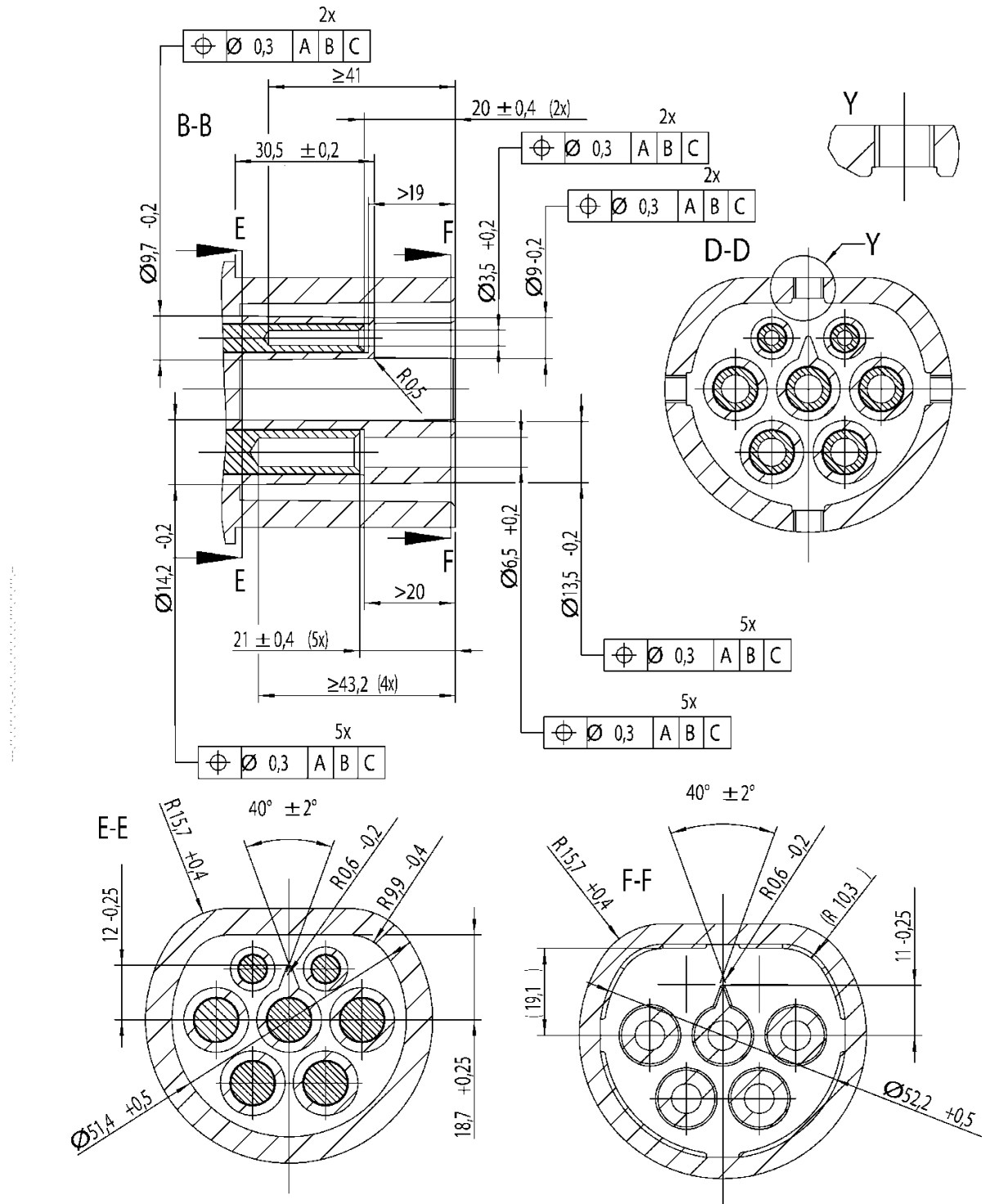
.....

## CONFIGURATION DE TYPE 2-II

FEUILLES DE NORME 2-IIc  
PRISE MOBILE DE VEHICULE

Feuille 2 (suite de la Feuille 1)

Dimensions en millimètres



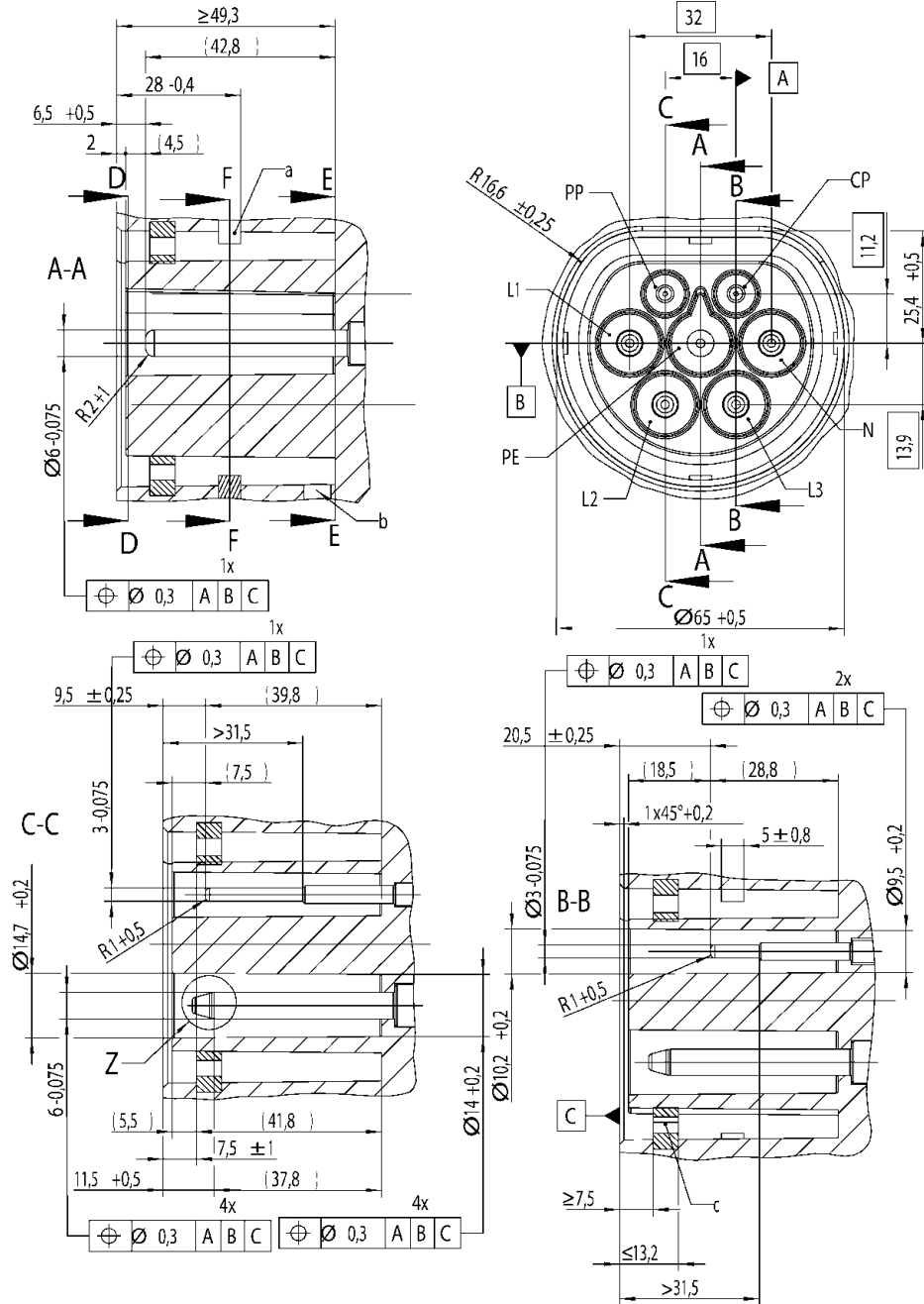
Rayons non dimensionnés: R 0,5 mm à 0,7 mm

**CONFIGURATION DE TYPE 2-II**

**FEUILLES DE NORME 2-IIc  
SOCLE DE CONNECTEUR DE VEHICULE**

*Feuille 1*

Dimensions en millimètres



**Légende**

- a Dispositif d'accrochage, construction conforme à la décision du client
- b Trou de drainage en option
- c Zone d'étanchéité (étanchéité facultative)

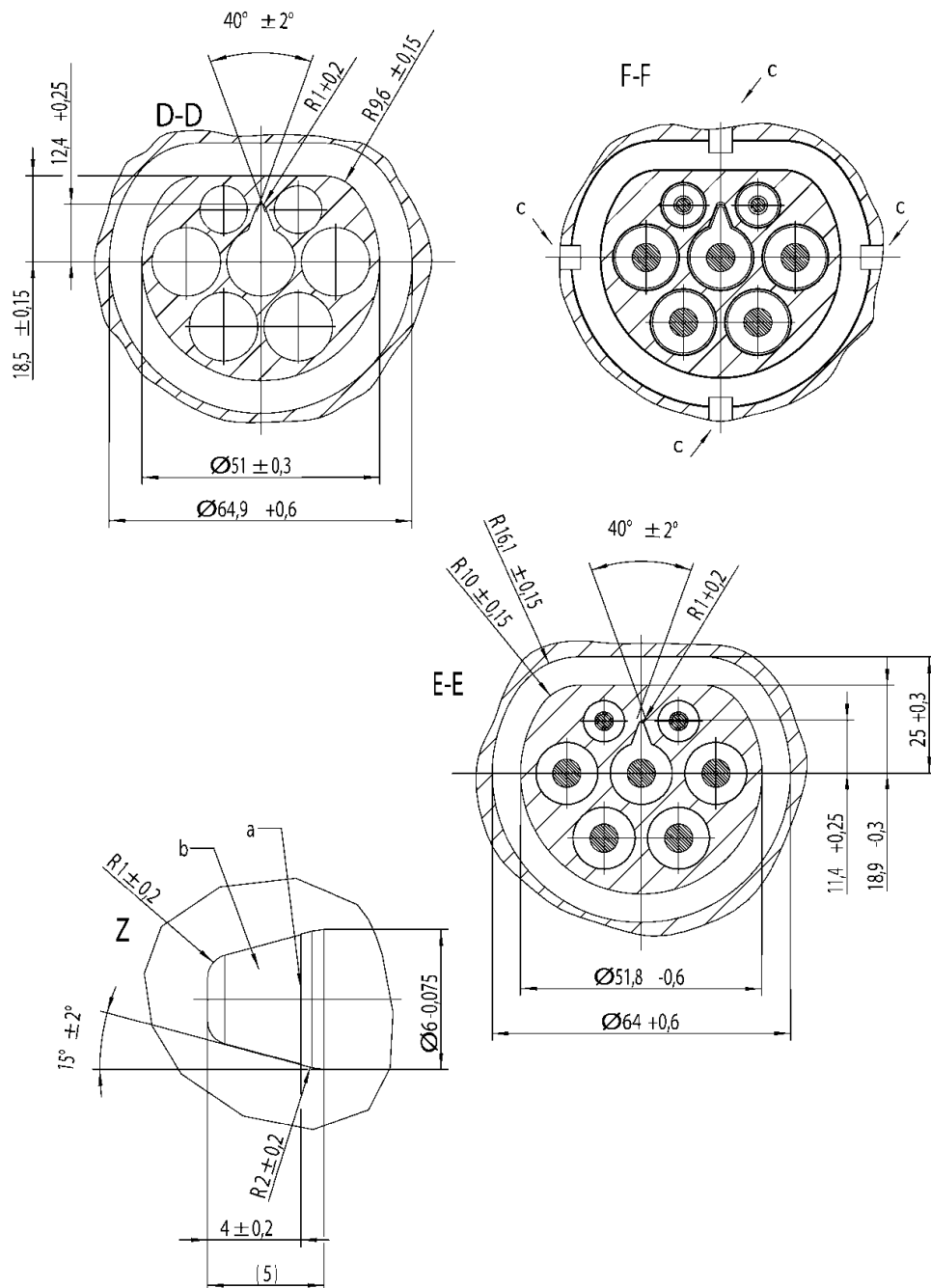
Rayons non dimensionnés: R 0,5 mm à 0,7 mm

Pour les socles de connecteur monophasés, les contacts L2 et L3 peuvent être omis.



**CONFIGURATION DE TYPE 2-II****FEUILLES DE NORME 2-IIc  
SOCLE DE CONNECTEUR DE VEHICULE***Feuille 2 (suite de la Feuille 1)*

Dimensions en millimètres

**Légende**

Rayons non dimensionnés: R 0,5 mm à 0,7 mm

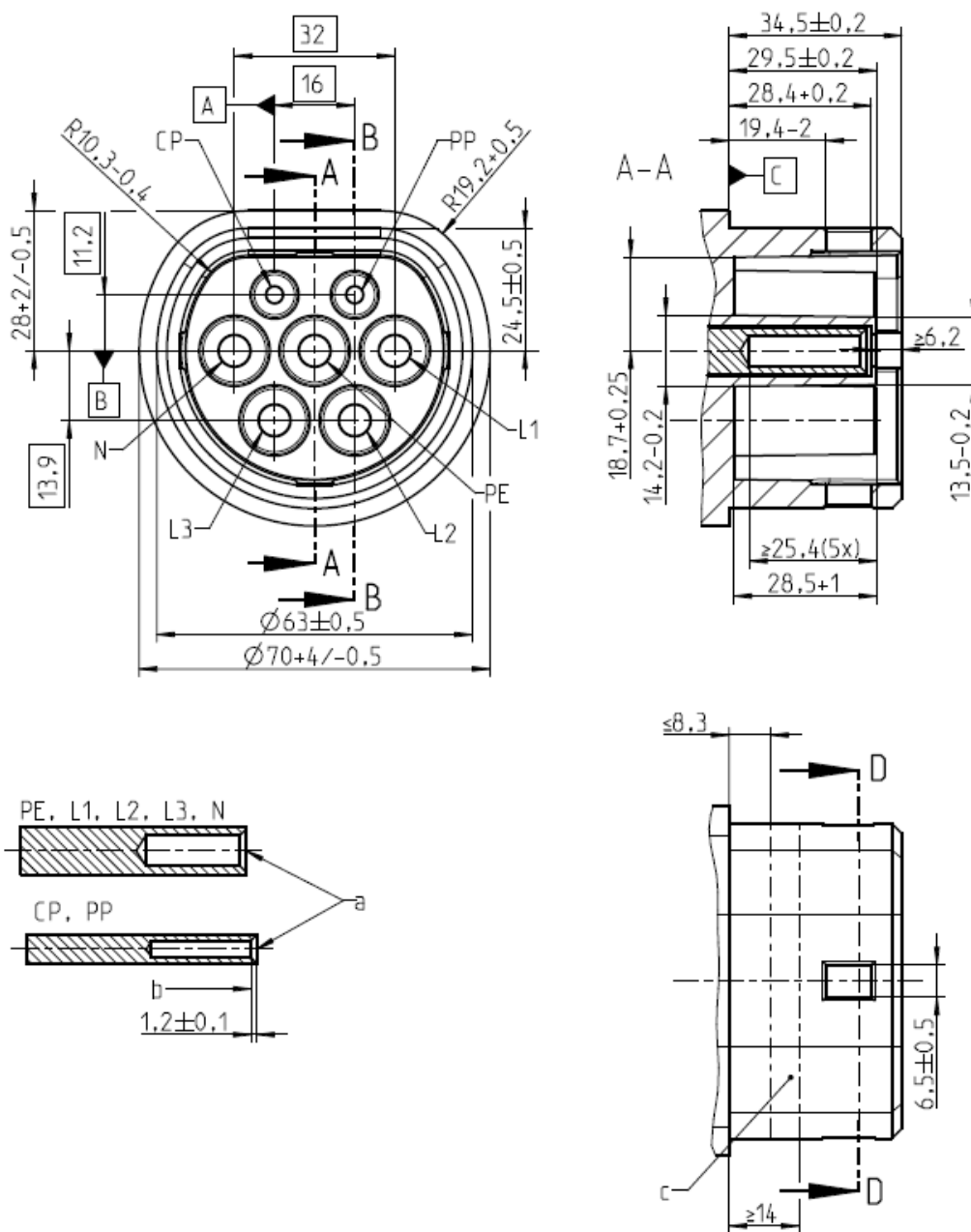
- a Aucune arête vive acceptable au niveau de la région de transition
- b Embout isolé
- c Positions des dispositifs d'accrochage. Au moins un dispositif d'accrochage fourni.

**CONFIGURATION DE TYPE 2-II**

**FEUILLES DE NORME 2-IIe  
PRISE MOBILE DE VEHICULE**

*Feuille 1*

Dimensions en millimètres



**Légende**

- a Extrémité des alvéoles chanfreinées pour faciliter l'insertion
- b Point de contact
- c Zone d'étanchéité exempte d'embu, de coupe d'outil et d'éjecteur  
Rugosité de surface de la zone d'étanchéité:  $R_a = 0,7 \mu\text{m}$

Rayons non dimensionnés: R 0,5 mm à 0,7 mm

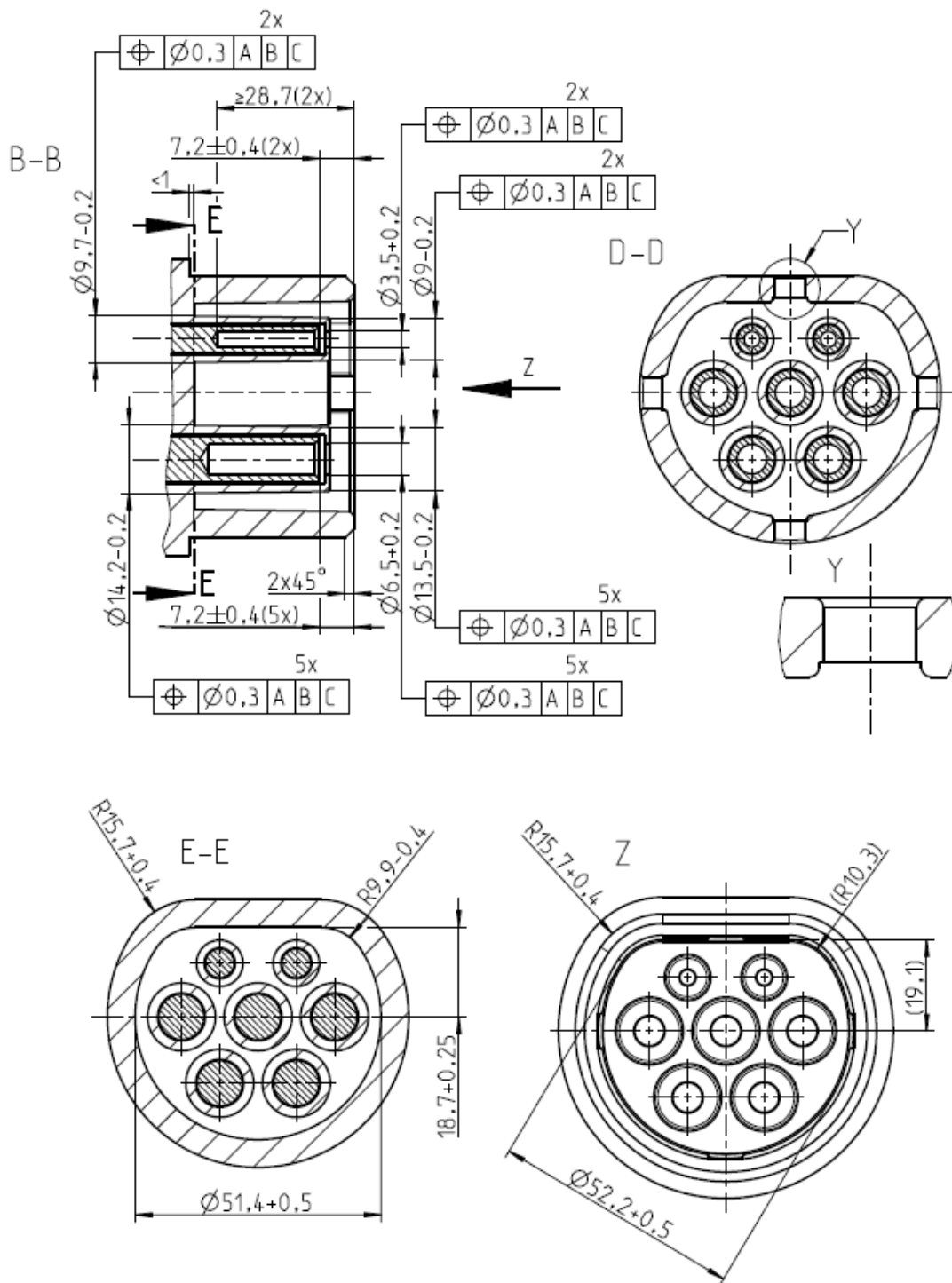
Pour les prises mobiles monophasées, les contacts L2 et L3 comprenant l'isolation environnante peuvent être omis.

**CONFIGURATION DE TYPE 2-II**

**FEUILLES DE NORME 2-IIe  
PRISE MOBILE DE VEHICULE**

*Feuille 2 (suite de la Feuille 1)*

Dimensions en millimètres



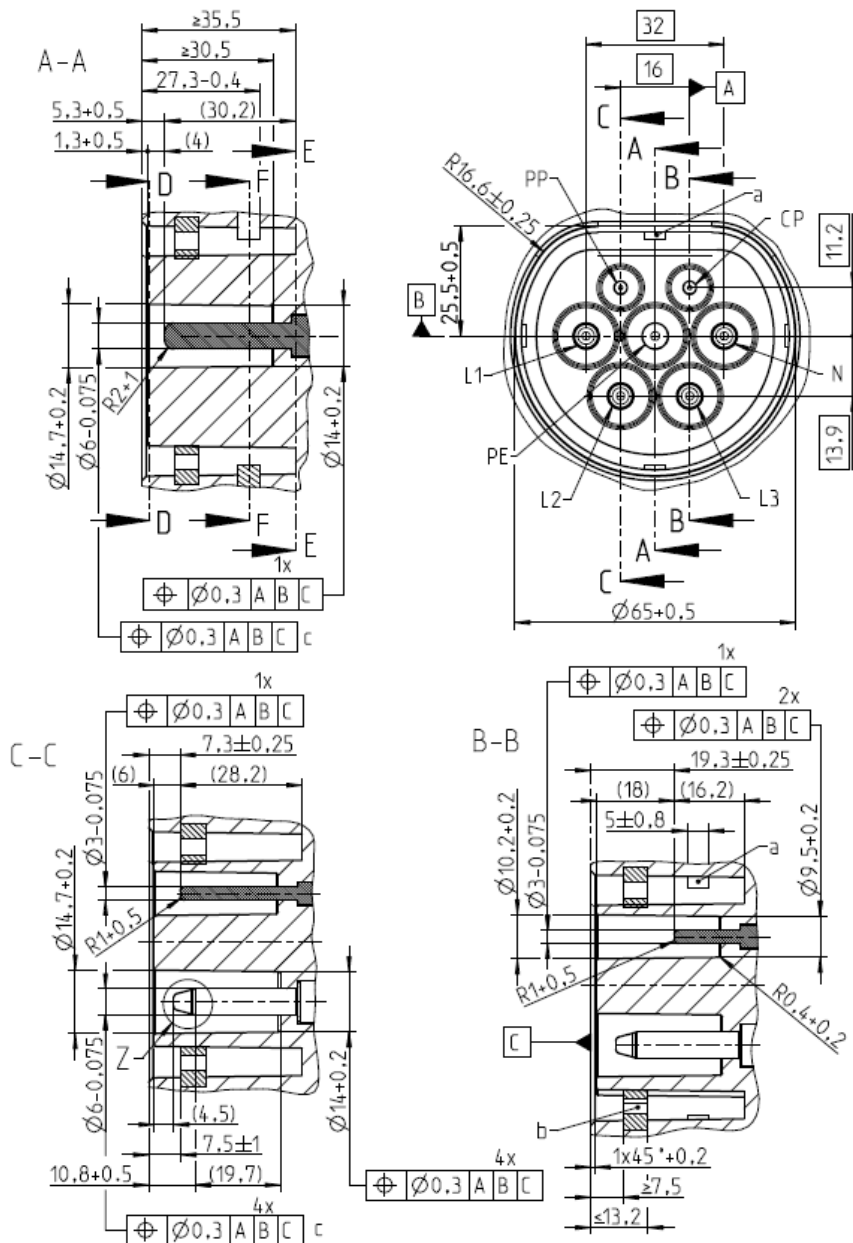
Rayons non dimensionnés: R 0,5 mm à 0,7 mm

**CONFIGURATION DE TYPE 2-II**

**FEUILLES DE NORME 2-IIIF  
SOCLE DE CONNECTEUR DE VEHICULE**

*Feuille 1*

Dimensions en millimètres



**Légende**

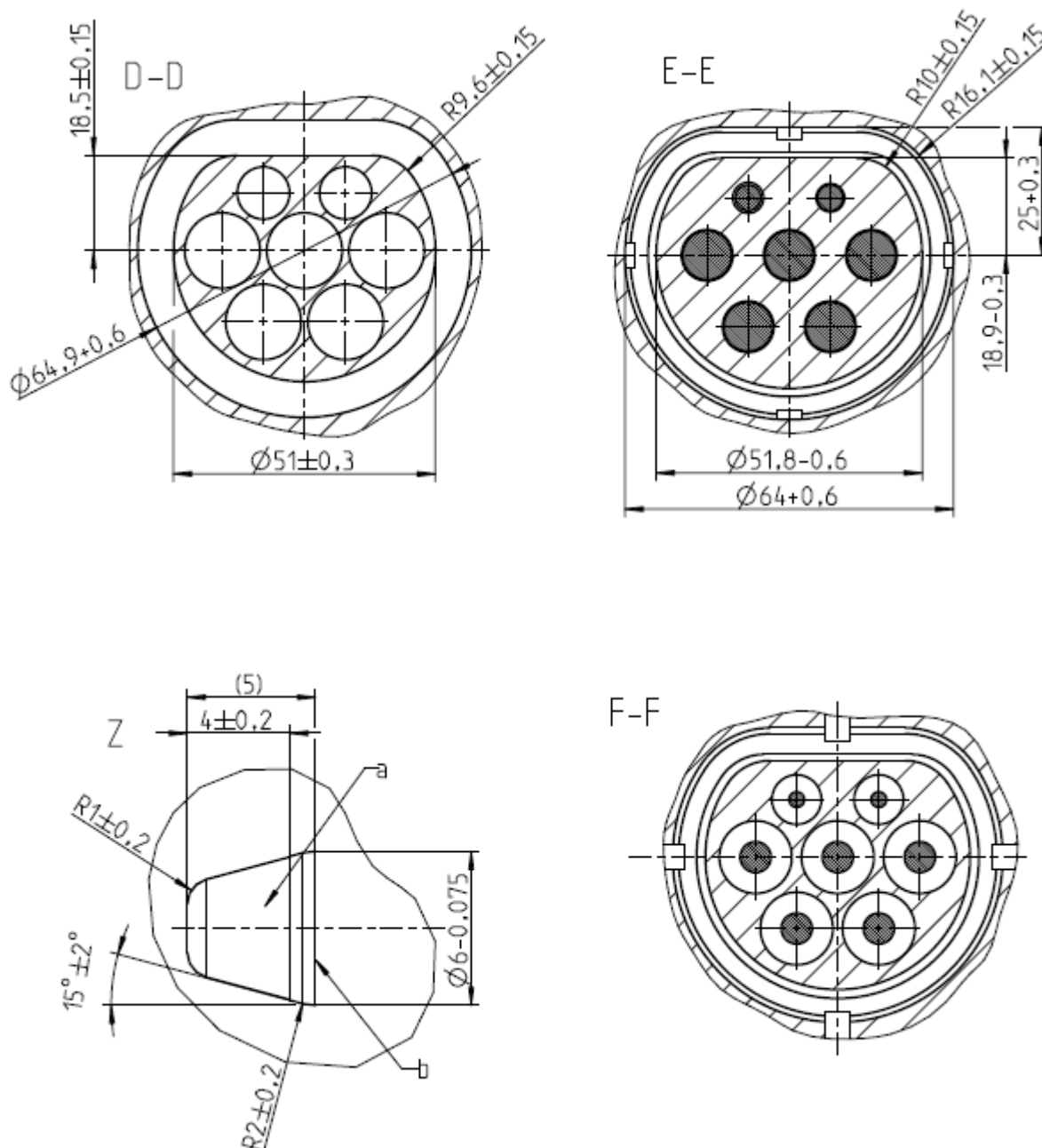
Rayons non dimensionnés: R 0,5 mm à 0,7 mm

- a Construction du dispositif d'accrochage conforme à la décision du client
- b Zone d'étanchéité (étanchéité en option)
- c Si les broches sont conçues de sorte à réaliser un autoalignement, la tolérance de position  $\boxed{\oplus \ominus} \varnothing 0,6 \text{ A B C}$  s'applique à l'extrémité des broches, mais la tolérance de position de 0,3 s'applique à leur base.

Pour les socles de connecteur monophasés, les contacts L2 et L3 peuvent être omis.

**CONFIGURATION DE TYPE 2-II****FEUILLES DE NORME 2-IIIF  
SOCLE DE CONNECTEUR DE VEHICULE***Feuille 2 (suite de la Feuille 1)*

Dimensions en millimètres

**Légende**

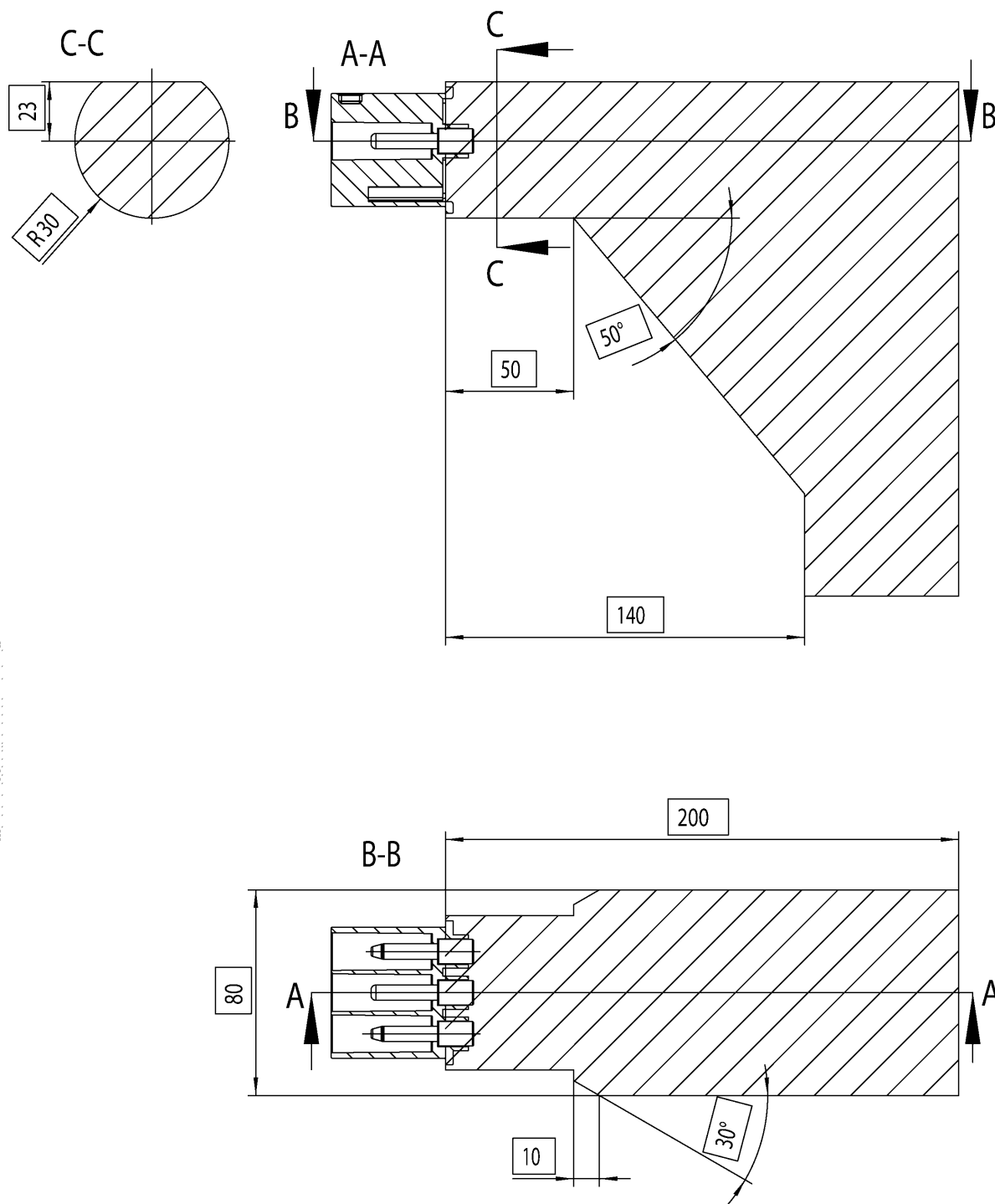
- a Embout isolé
- b Aucune arête vive acceptable au niveau de la région de transition
- c Positions des dispositifs d'accrochage. Au moins un dispositif d'accrochage fourni.

Rayons non dimensionnés: R 0,5 mm à 0,7 mm

### CONFIGURATION DE TYPE 2-II

#### FEUILLE DE NORME 2-IIG VOLUME ENVELOPPE DE FICHE VE

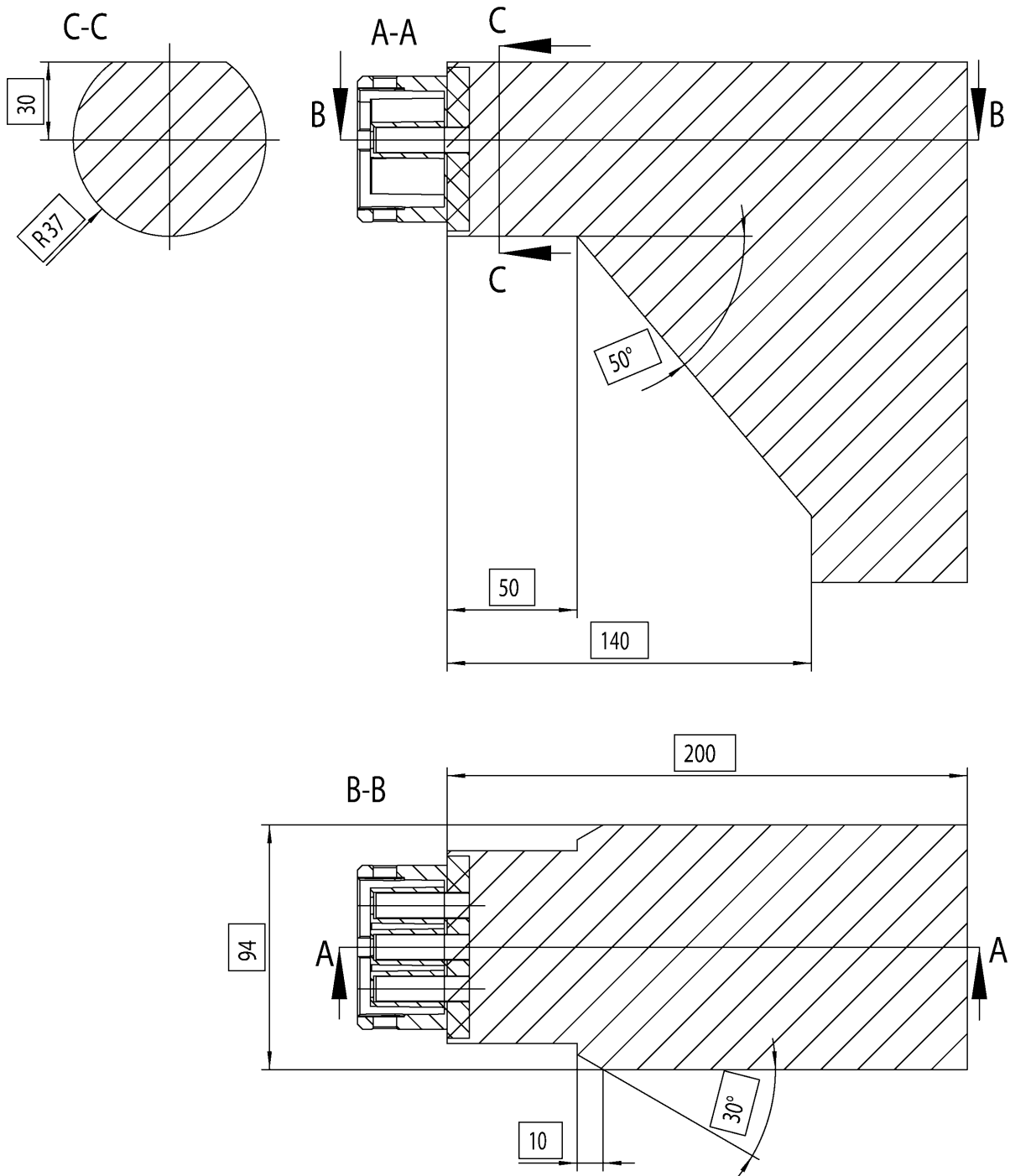
Dimensions en millimètres



La forme du corps de la fiche VE doit se trouver dans la zone grisée.

**CONFIGURATION DE TYPE 2-II****FEUILLE DE NORME 2-IIh  
VOLUME ENVELOPPE DE PRISE MOBILE VE**

Dimensions en millimètres



La forme du corps de la prise mobile de véhicule doit se trouver dans la zone grisée.

## CONFIGURATION DE TYPE 3

APPAREILS 63 A, 480 V TRIPHASE,  
APPAREILS 16 A ET 32 A, 250 V MONOPHASE

FEUILLES DE NORME 2-III

### Vue d'ensemble

Les Feuilles de norme 2-III s'appliquent à la configuration de type 3: 63 A, 480 V C.A. triphasés et 250 V C.A. monophasés.

Pour la configuration de type 3, les spécifications suivantes s'appliquent:

Le verrouillage des appareils est prévu et est destiné à être utilisé conformément aux exigences de l'IEC 61851-1:2017.

Le verrouillage ou l'accrochage des appareils de courant assigné 63 A est obligatoire.

NOTE 1 La fonction de verrouillage peut être réalisée, par exemple par un dispositif mécanique ou électromécanique.

Le dispositif de verrouillage doit offrir un retour permettant d'indiquer que le mécanisme est engagé correctement.

Le contact pilote est destiné à être utilisé conformément à l'IEC 61851-1:2017, Annexe A.

Lorsque le contact PP est utilisé simultanément pour la détection de proximité et le codage du courant admissible du câble de charge, il est destiné à être utilisé selon l'IEC 61851-1:2017, paragraphe B.2 (Circuit pour la détection de proximité simultanée et le codage de courant).

Les Feuilles de norme 2-III d présentent les dispositifs d'accrochage et des recommandations relatives aux volumes-enveloppe.

NOTE 2 L'inscription des fiches VE et des prises mobiles de véhicule dans les zones grisées et l'inscription de toute partie des socles de prise de courant VE/socles de connecteur de véhicule à l'extérieur des zones grisées garantissent la compatibilité.

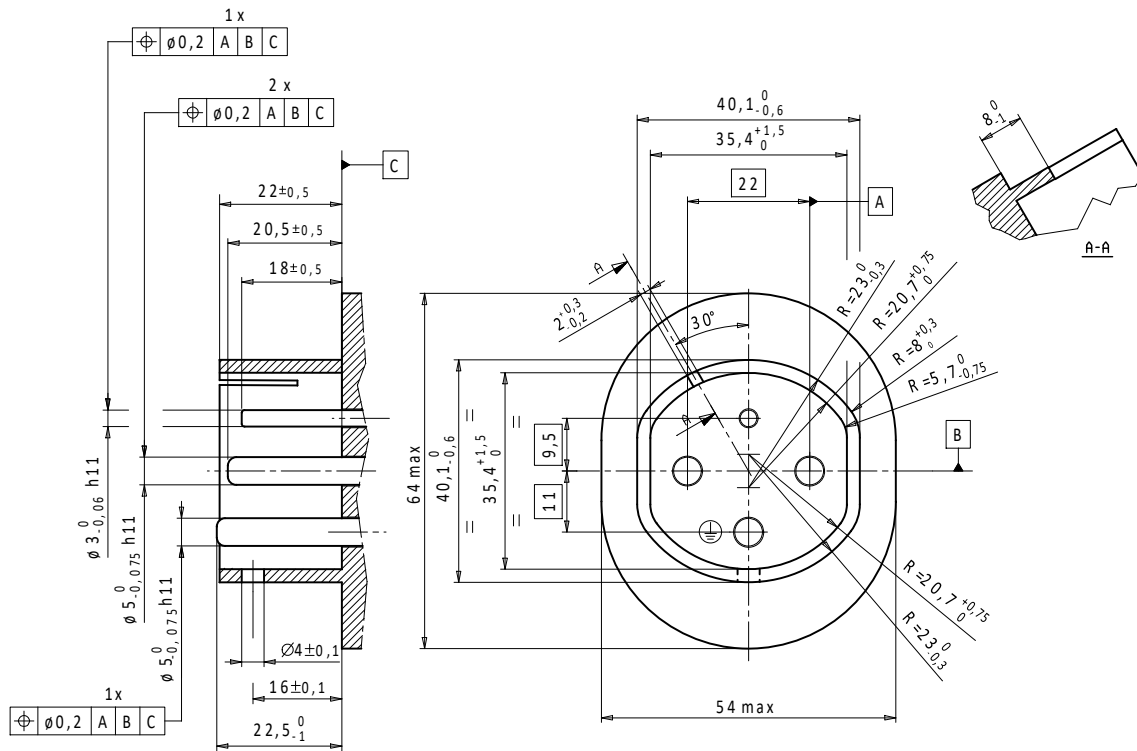


## CONFIGURATION DE TYPE 3

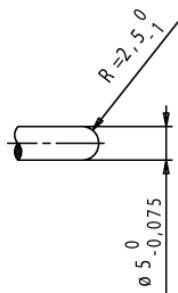
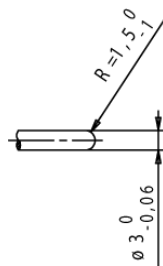
FEUILLES DE NORME 2-IIIa  
FICHE VE 16 A, 250 V MONOPHASEE AVEC 1 CONTACT PILOTE

## Feuille 1

Dimensions en millimètres

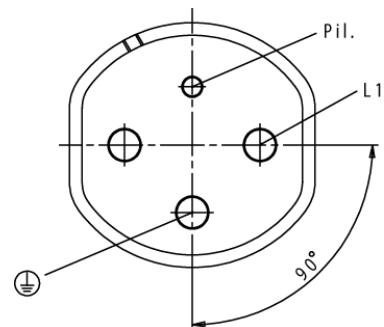


Extrémité des broches

Contacts de  
Terre/Phase/Neutre

Pilote

Disposition des broches

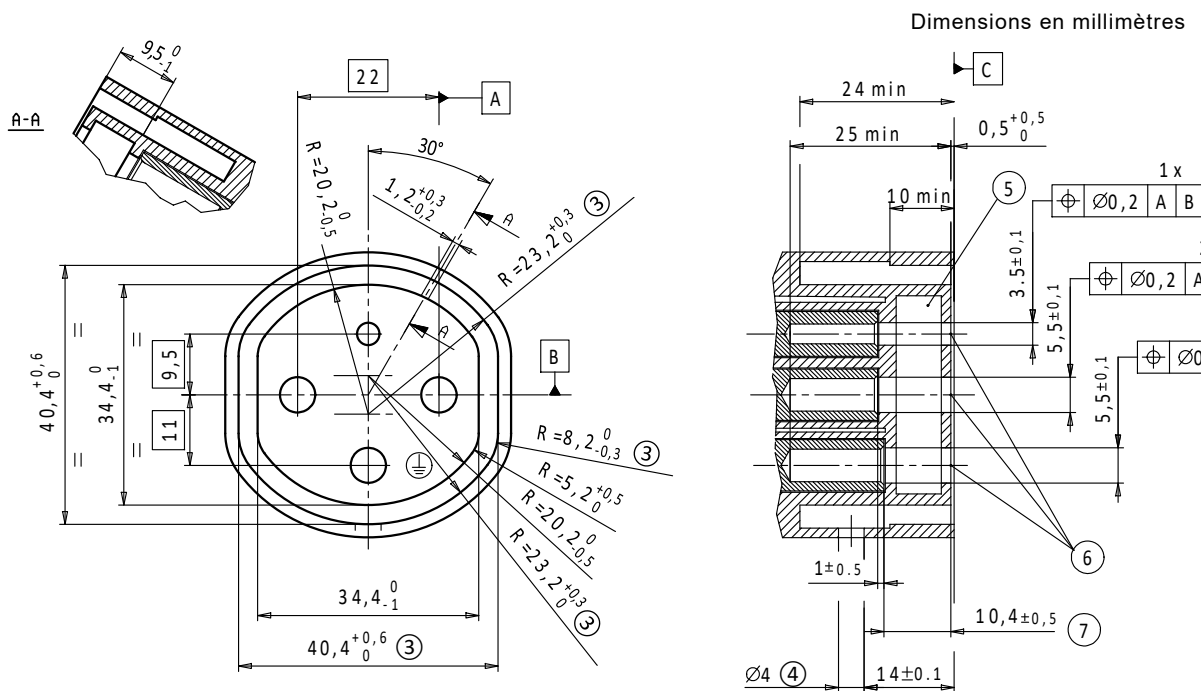


Vue de face des broches de la fiche

### CONFIGURATION DE TYPE 3

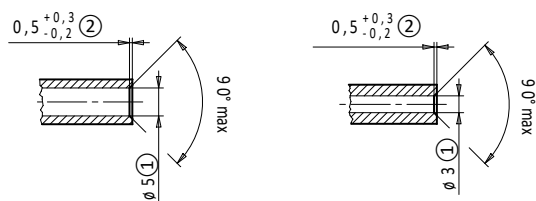
## FEUILLES DE NORME 2-IIIa SOCLE DE PRISE DE COURANT VE 16 A, 250 V MONOPHASEE AVEC 1 CONTACT PILOTE

### Feuille 2 (suite de la Feuille 1)



Les trous ou les perçages pratiqués dans la face avant, le cas échéant, en dehors des alvéoles, ne doivent pas avoir une profondeur supérieure à 10 mm.

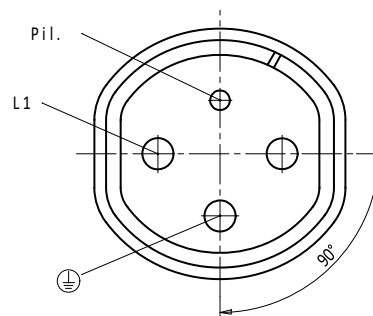
#### Extrémités des alvéoles



Contacts de  
Terre/Phase/Neutre

Pilote

#### Disposition des alvéoles



Vue de face des alvéoles du socle de prise de  
courant

#### Légende

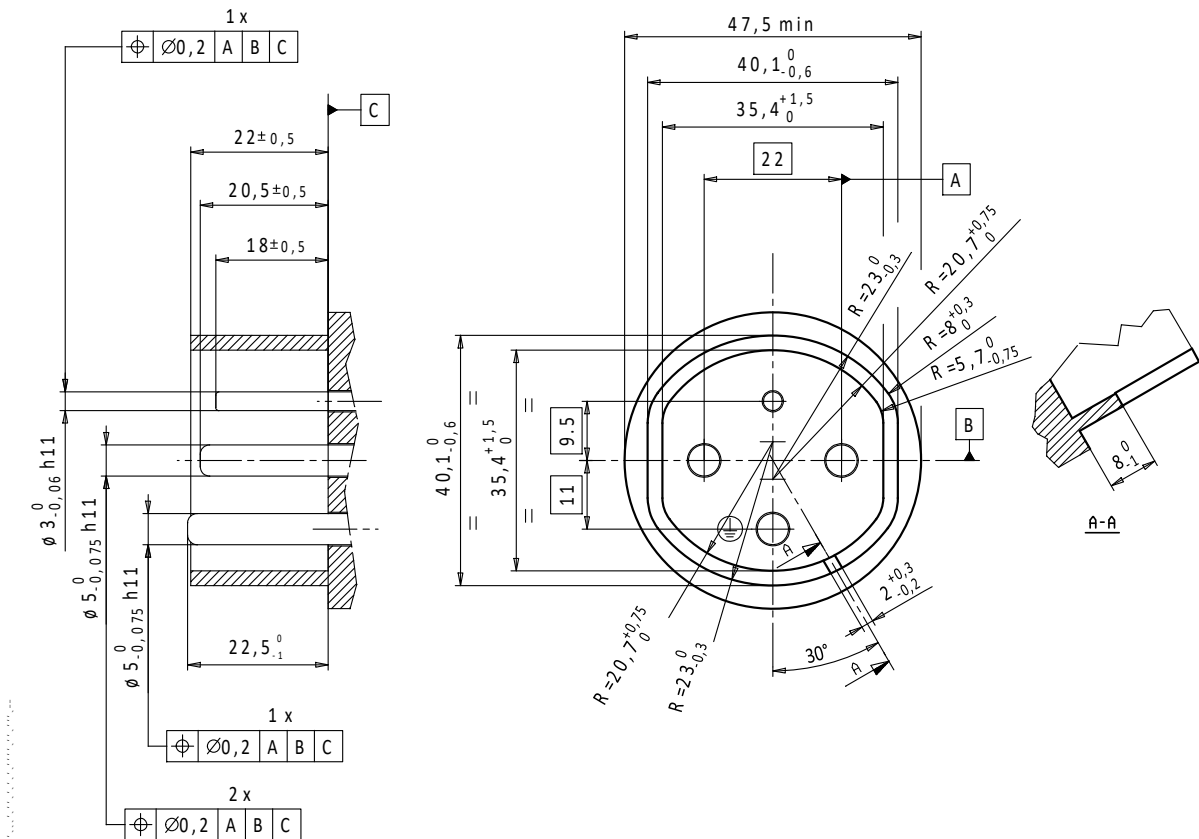
- ① Les dimensions concernent les broches; les alvéoles peuvent ne pas être cylindriques.
- ② Le chanfrein des alvéoles peut être arrondi vers la surface intérieure du cylindre sur une portion ne dépassant pas 1,5 fois les valeurs indiquées.
- ③ Les dimensions indiquées doivent être dans les limites spécifiées sur les premiers 10 mm à partir du plan de référence. Au-delà, les limites spécifiées peuvent être plus grandes, mais pas plus petites.
- ④ Cette ouverture peut être un trou de 4 mm de diamètre au moins ou une fente de 4 mm de largeur au moins.
- ⑤ Espace pour les obturateurs. Le cas échéant, ils sont obligatoires pour les alvéoles de phase et de neutre.
- ⑥ Les orifices d'entrée des broches doivent être arrondis ou chanfreinés.
- ⑦ Cette dimension est mesurée à partir de l'extrémité de l'alvéole.

**CONFIGURATION DE TYPE 3**

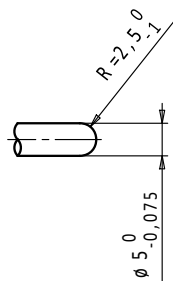
**FEUILLES DE NORME 2-IIIa**  
**SOCLE DE CONNECTEUR DE VEHICULE 16 A, 250 V MONOPHASE AVEC 1 CONTACT PILOTE**

*Feuille 3 (suite de la Feuille 2)*

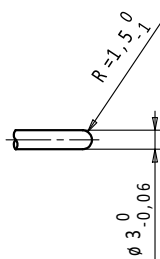
Dimensions en millimètres



**Extrémité des broches**

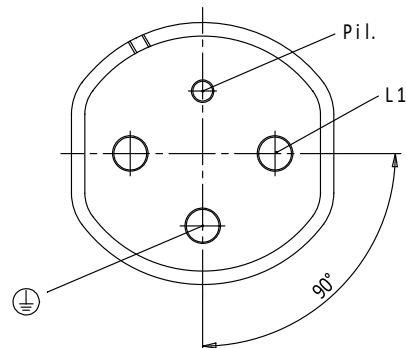


Contacts de  
Terre/Phase/Neutre



Pilote

**Disposition des broches**

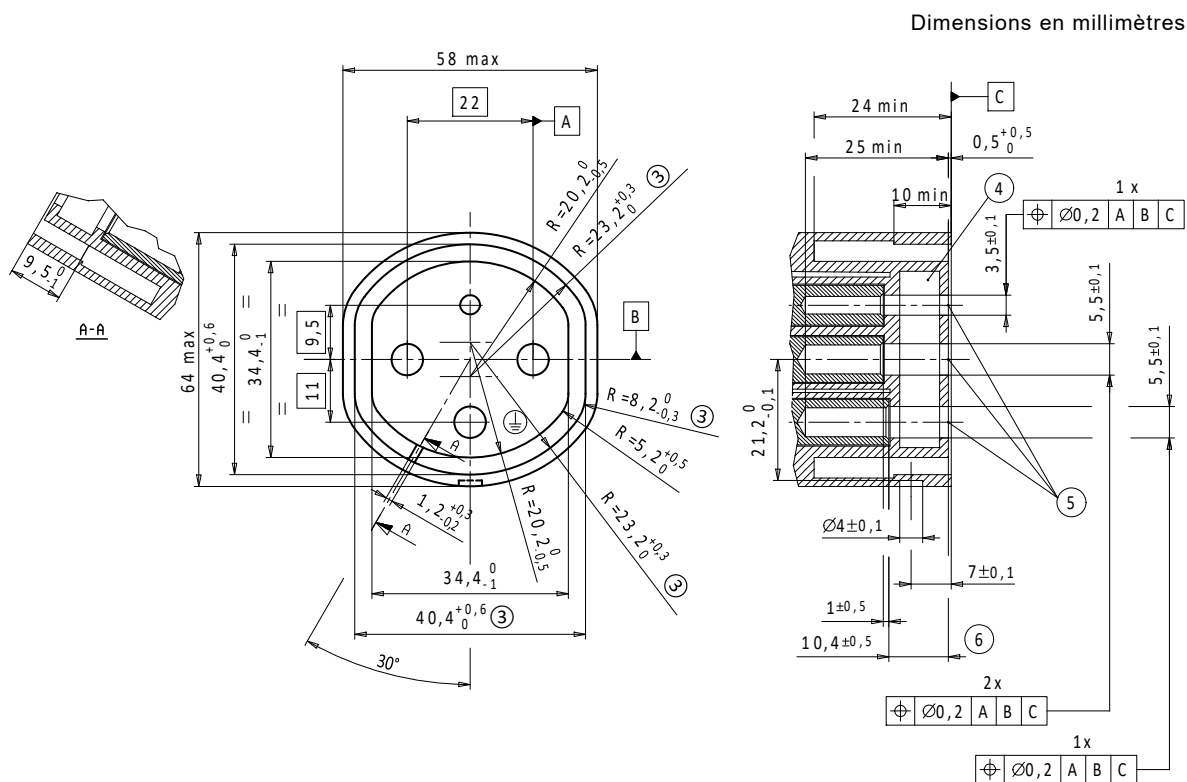


Vue de face des broches du socle de connecteur de  
véhicule

### CONFIGURATION DE TYPE 3

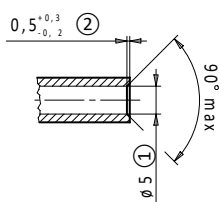
## FEUILLES DE NORME 2-IIIa PRISE MOBILE DE VEHICULE 16 A, 250 V MONOPHASEE AVEC 1 CONTACT PILOTE

### Feuille 4 (suite de la Feuille 3)

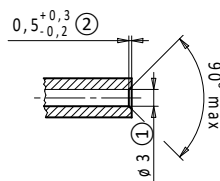


Les trous ou les perçages pratiqués dans la face avant, le cas échéant, en dehors des alvéoles, ne doivent pas avoir une profondeur supérieure à 10 mm.

#### Extrémités des alvéoles

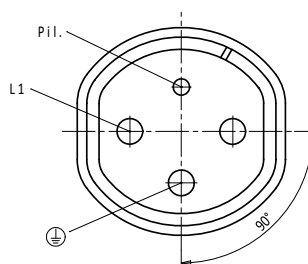


Contacts de  
Terre/Phase/Neutre



Contact pilote

#### Disposition des alvéoles



Vue de face des alvéoles de la prise mobile de  
véhicule

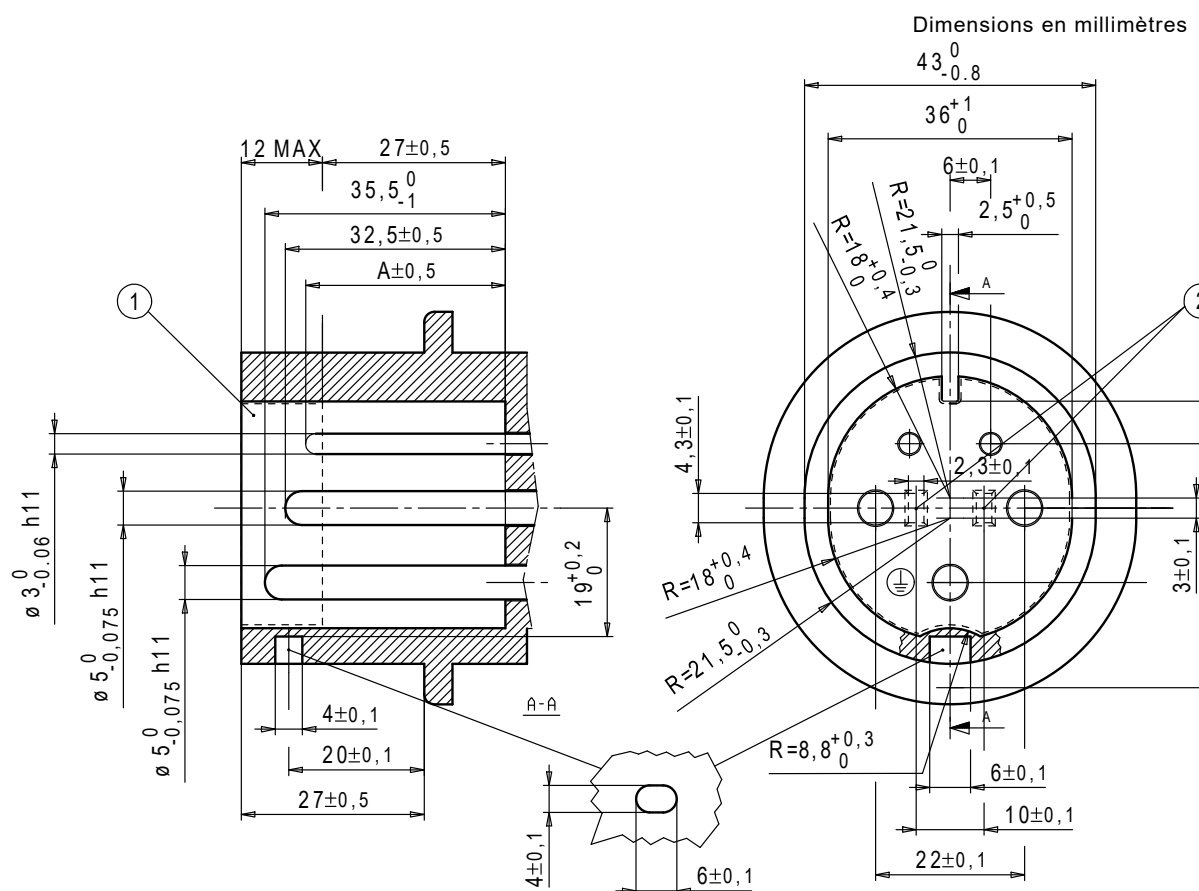
#### Légende

- ① Les dimensions concernent les broches; les alvéoles peuvent ne pas être cylindriques.
- ② Le chanfrein des alvéoles peut être arrondi vers la surface intérieure du cylindre sur une portion ne dépassant pas 1,5 fois les valeurs indiquées.
- ③ Les dimensions indiquées doivent être dans les limites spécifiées sur les premiers 10 mm à partir du plan de référence. Au-delà, les limites spécifiées peuvent être plus grandes, mais pas plus petites.
- ④ Cette ouverture peut être un trou de 4 mm de diamètre au moins ou une fente de 4 mm de largeur au moins.
- ⑤ Espace pour les obturateurs. Le cas échéant, ils sont obligatoires pour les alvéoles de phase et de neutre.
- ⑥ Les orifices d'entrée des broches doivent être arrondis ou chanfreinés.

## CONFIGURATION DE TYPE 3

FEUILLES DE NORME 2-IIIb  
FICHE VE 32 A, 250 V MONOPHASEE AVEC 2 CONTACTS PILOTES

## Feuille 1

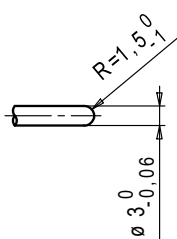
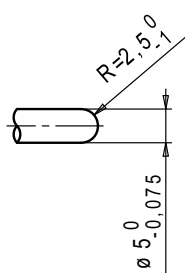


## Légende

- ① Espace pour les obturateurs. Le cas échéant, ils sont obligatoires pour les broches de contact de phase et de neutre.
- ② Les orifices d'entrée des broches d'obturateur doivent être arrondis ou chanfreinés.

Taille des contacts pilotes	
	A
CP	29,5
PP / CS	34,0

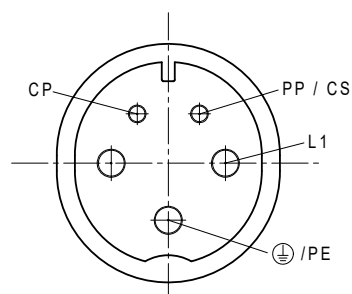
## Extrémité des broches



Contacts de Terre/Phase/Neutre

Pilote

## Disposition des broches



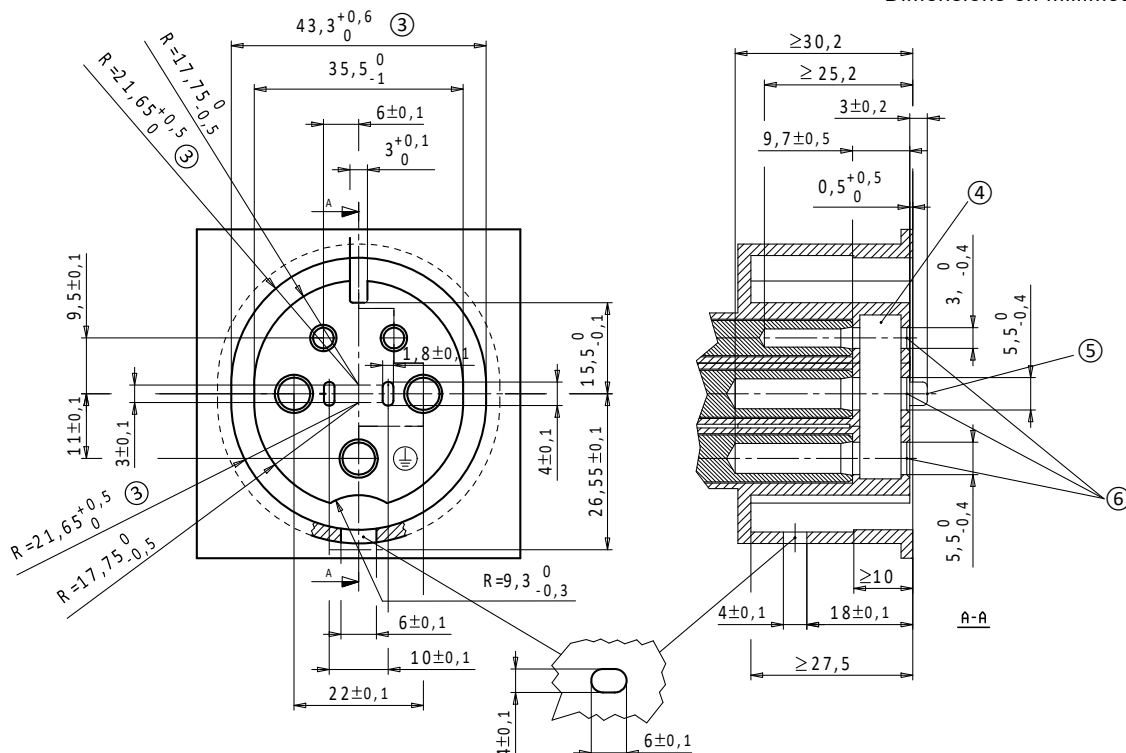
Vue de face des broches de la fiche

**CONFIGURATION DE TYPE 3**

**FEUILLES DE NORME 2-IIIb  
SOCLE DE PRISE DE COURANT VE 32 A, 250 V MONOPHASE AVEC 2 CONTACTS  
PILOTES**

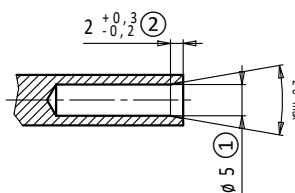
*Feuille 2 (suite de la Feuille 1)*

Dimensions en millimètres

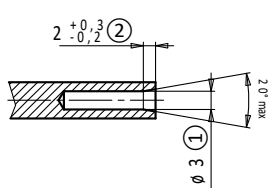


Les trous ou les perçages pratiqués dans la face avant, le cas échéant, en dehors des alvéoles, ne doivent pas avoir une profondeur supérieure à 10 mm.

**Extrémités des alvéoles**

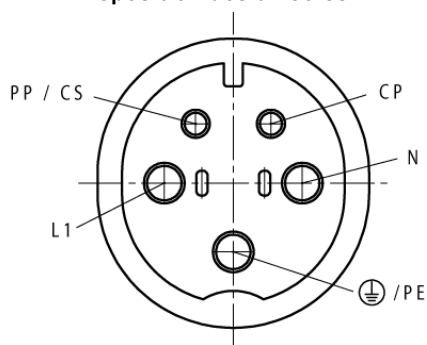


Contacts de  
Terre/Phase/Neutre



Contacts pilotes

**Disposition des alvéoles**



Vue de face des alvéoles du socle de prise de courant

**Légende**

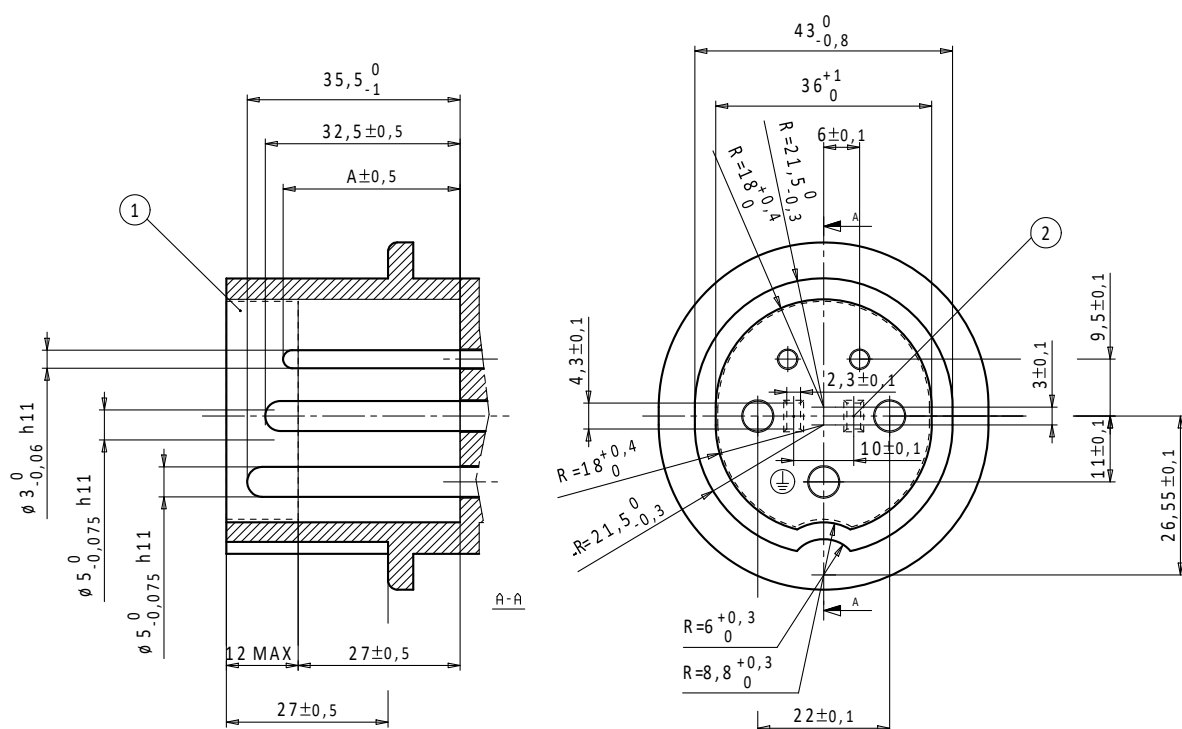
- ① Les dimensions concernent les broches; les alvéoles peuvent ne pas être cylindriques.
- ② Le chanfrein des alvéoles peut être arrondi vers la surface intérieure du cylindre sur une portion ne dépassant pas 1,5 fois les valeurs indiquées.
- ③ Les dimensions indiquées doivent être dans les limites spécifiées sur les premiers 10 mm à partir du plan de référence. Au-delà, elles peuvent être plus grandes, mais pas plus petites.
- ④ Espace pour les obturateurs. Le cas échéant, ils sont obligatoires pour les alvéoles de phase et de neutre.
- ⑤ La broche d'obturateur doit être arrondie ou chanfreinée.
- ⑥ Les orifices d'entrée des broches doivent être arrondis ou chanfreinés.
- ⑦ Cette dimension est mesurée à partir de l'extrémité de l'alvéole.

## CONFIGURATION DE TYPE 3

FEUILLES DE NORME 2-IIIb  
 SOCLE DE CONNECTEUR DE VEHICULE 32 A, 250 V MONOPHASE AVEC 2 CONTACTS PILOTES

## Feuille 3 (suite de la Feuille 2)

Dimensions en millimètres

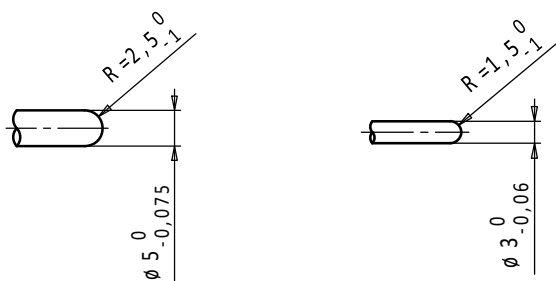


## Légende

- ① Espace pour les obturateurs. Ils sont obligatoires pour les broches de contact de phase et de neutre.
- ② Les orifices d'entrée des broches d'obturateur doivent être arrondis ou chanfreinés.

Taille des contacts pilotes	
	A
CP	29,5
PP / CS	34,0

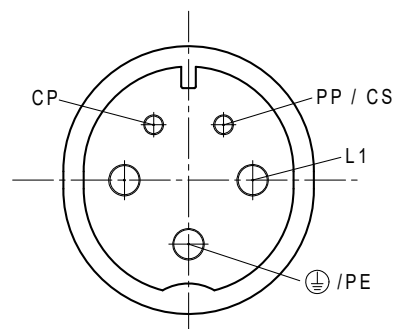
## Extrémité des broches



Contacts de  
Terre/Phase/Neutre

Pilote

## Disposition des broches



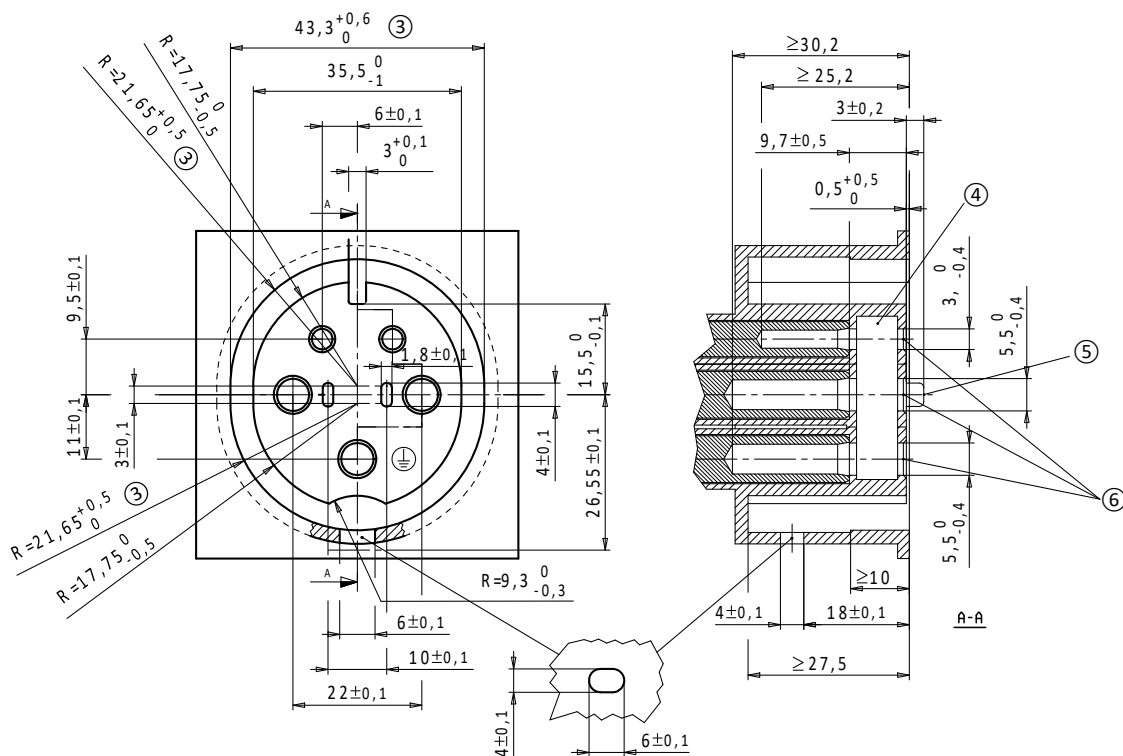
Vue de face des broches du socle de connecteur de  
véhicule

### CONFIGURATION DE TYPE 3

## FEUILLES DE NORME 2-IIIb PRISE MOBILE DE VEHICULE 32 A, 250 V MONOPHASEE AVEC 2 CONTACTS PILOTES

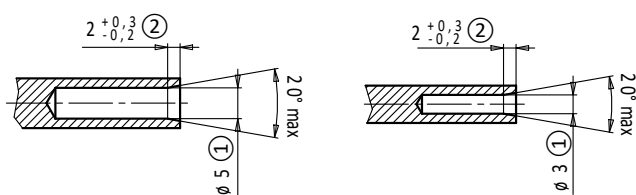
### Feuille 4 (suite de la Feuille 3)

Dimensions en millimètres



Les trous ou les perçages pratiqués dans la face avant, le cas échéant, en dehors des alvéoles, ne doivent pas avoir une profondeur supérieure à 10 mm.

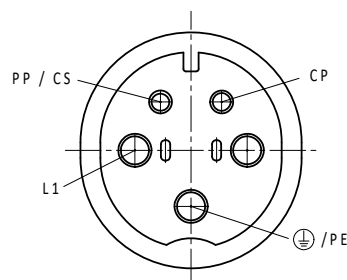
#### Extrémités des alvéoles



Contacts de  
Terre/Phase/Neutre

Contacts pilotes

#### Disposition des alvéoles



Vue de face des alvéoles de la prise mobile  
de véhicule

#### Légende

- ① Les dimensions concernent les broches; les alvéoles peuvent ne pas être cylindriques.
- ② Le chanfrein des alvéoles peut être arrondi vers la surface intérieure du cylindre sur une portion ne dépassant pas 1,5 fois les valeurs indiquées.
- ③ Les dimensions indiquées doivent être dans les limites spécifiées sur les premiers 10 mm à partir du plan de référence. Au-delà, elles peuvent être plus grandes, mais pas plus petites.
- ④ Espace pour les obturateurs. Le cas échéant, ils sont obligatoires pour les alvéoles de phase et de neutre.
- ⑤ La broche d'obturateur doit être arrondie ou chanfreinée.
- ⑥ Les orifices d'entrée des broches doivent être arrondis ou chanfreinés.
- ⑦ Cette dimension est mesurée à partir de l'extrémité de l'alvéole.

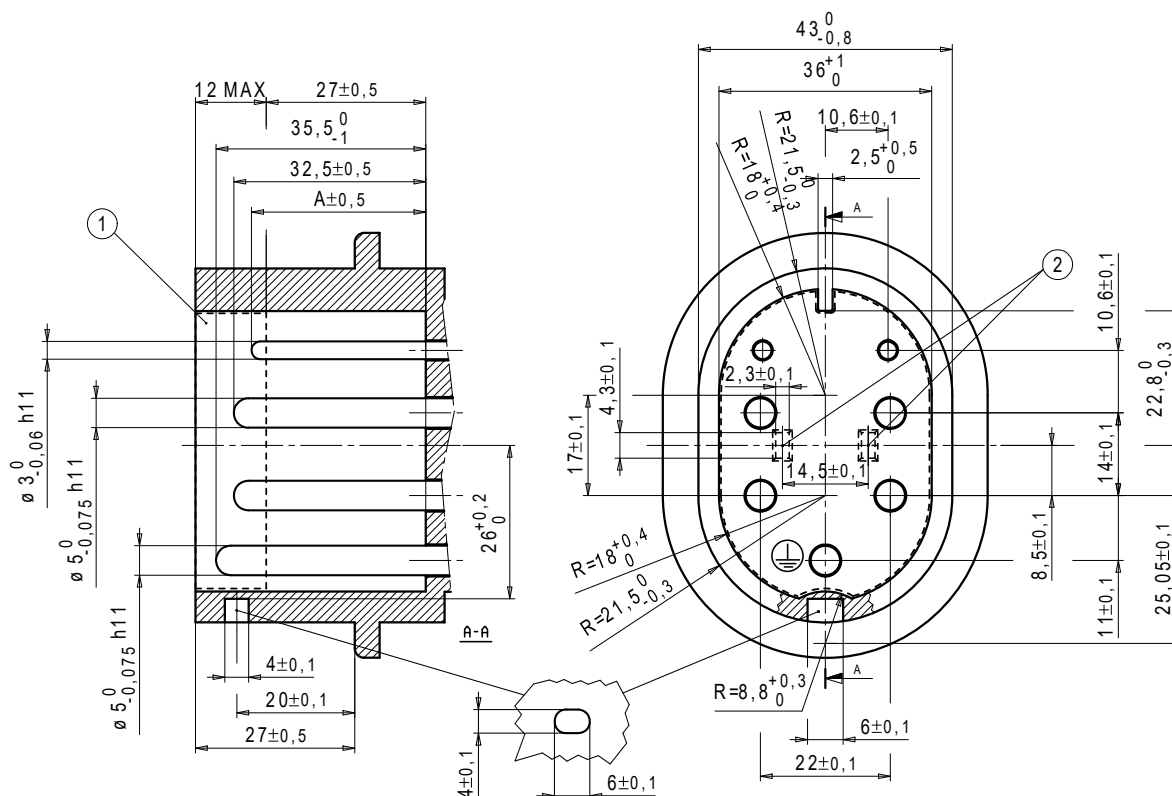


## CONFIGURATION DE TYPE 3

FEUILLES DE NORME 2-IIIc  
FICHE VE 63 A, 480 V TRIPHASEE AVEC 2 CONTACTS PILOTES

## Feuille 1

Dimensions en millimètres



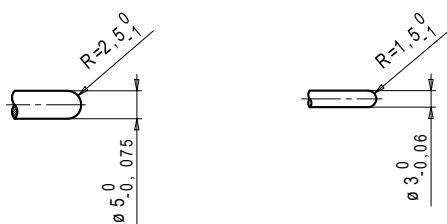
## Légende

- ① Espace pour les obturateurs. Ils sont obligatoires pour les broches de contact de phase et de neutre.
- ② Les orifices d'entrée des broches d'obturateur doivent être arrondis ou chanfreinés

## Taille des contacts pilotes

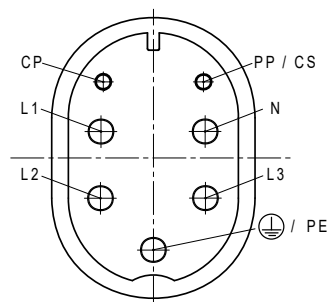
	A
CP	29,5
PP / CS	34,0

## Extrémité des broches

Contacts de  
Terre/Phase/Neutre

Contacts pilotes

## Disposition des broches



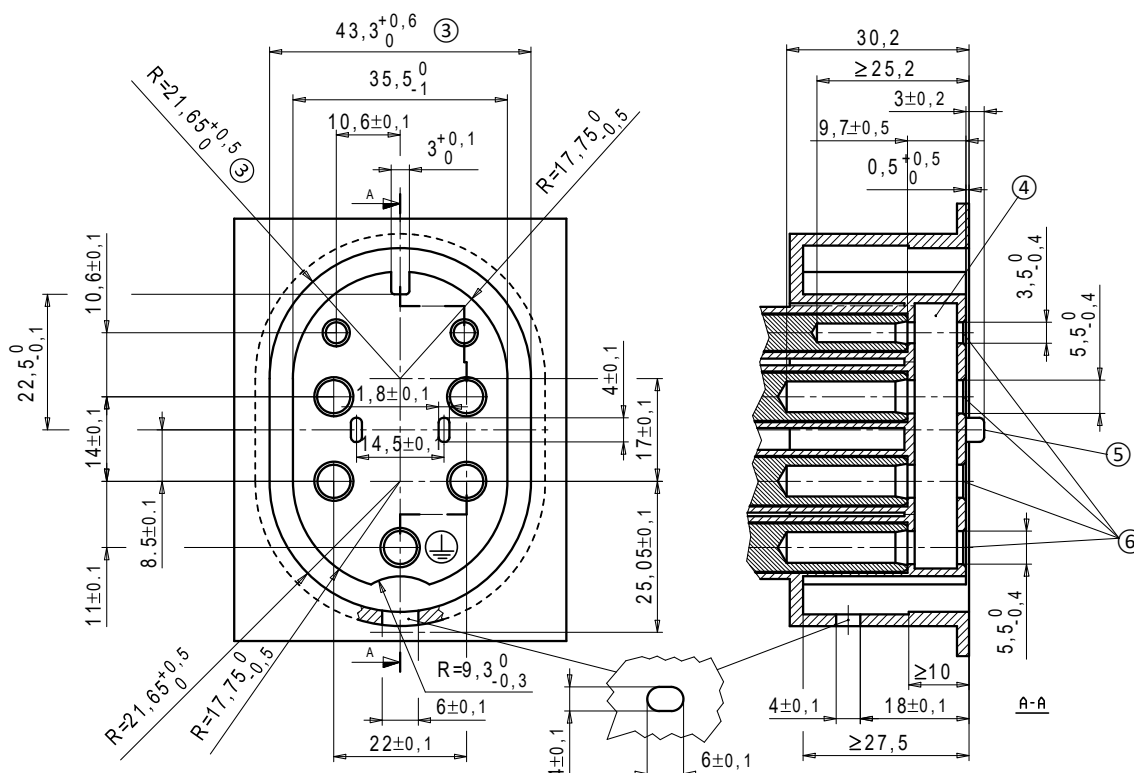
Vue de face des broches de la fiche

### CONFIGURATION DE TYPE 3

## FEUILLES DE NORME 2-IIIc SOCLE DE PRISE DE COURANT VE 63 A, 480 V TRIPHASE AVEC 2 CONTACTS PILOTES

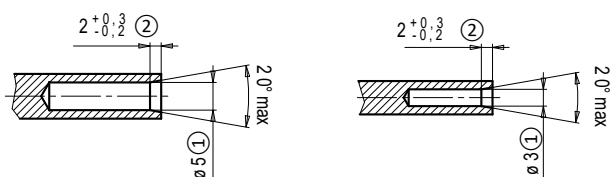
### Feuille 2 (suite de la Feuille 1)

Dimensions en millimètres



Les trous ou les perçages pratiqués dans la face avant, le cas échéant, en dehors des alvéoles, ne doivent pas avoir une profondeur supérieure à 10 mm.

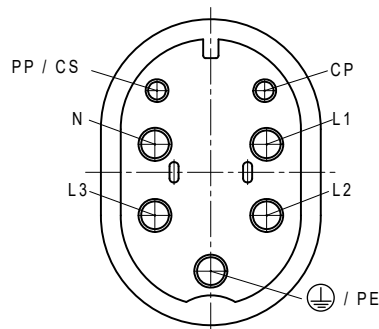
#### Extrémités des alvéoles



Contacts de  
Terre/Phase/Neutre

Contacts pilotes

#### Disposition des alvéoles



Vue de face des alvéoles du socle de prise de courant

#### Légende

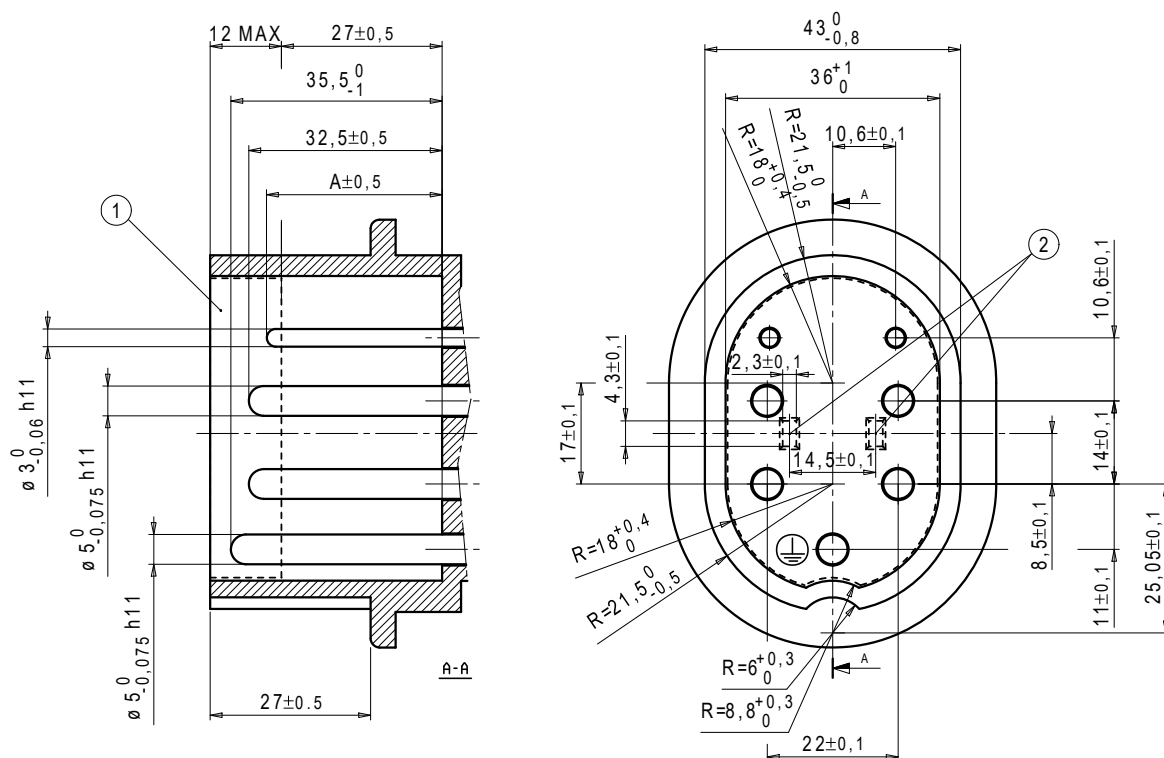
- ① Les dimensions concernent les broches; les alvéoles peuvent ne pas être cylindriques.
- ② Le chanfrein des alvéoles peut être arrondi vers la surface intérieure du cylindre sur une portion ne dépassant pas 1,5 fois les valeurs indiquées.
- ③ Les dimensions indiquées doivent être dans les limites spécifiées sur les premiers 10 mm à partir du plan de référence. Au-delà, elles peuvent être plus grandes, mais pas plus petites.
- ④ Espace pour les obturateurs. Le cas échéant, ils sont obligatoires pour les alvéoles de phase et de neutre.
- ⑤ La broche d'obturateur doit être arrondie ou chanfreinée.
- ⑥ Les orifices d'entrée des broches doivent être arrondis ou chanfreinés.
- ⑦ Cette dimension est mesurée à partir de l'extrémité de l'alvéole.

## CONFIGURATION DE TYPE 3

FEUILLES DE NORME 2-IIIc  
SOCLE DE CONNECTEUR DE VEHICULE 63 A, 480 V TRIPHASE AVEC 2 CONTACTS PILOTES

## Feuille 3 (suite de la Feuille 2)

Dimensions en millimètres

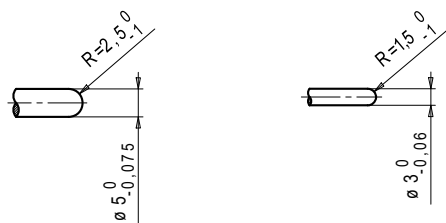


## Légende

- ① Espace pour les obturateurs. Ils sont obligatoires pour les broches de contact de phase et de neutre.
- ② Les orifices d'entrée des broches d'obturateur doivent être arrondis ou chanfreinés.

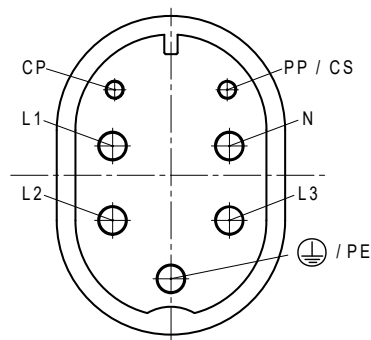
Taille des contacts pilotes	
	A
CP	29,5
PP / CS	34,0

## Extrémité des broches

Contacts de  
Terre/Phase/Neutre

Contacts pilotes

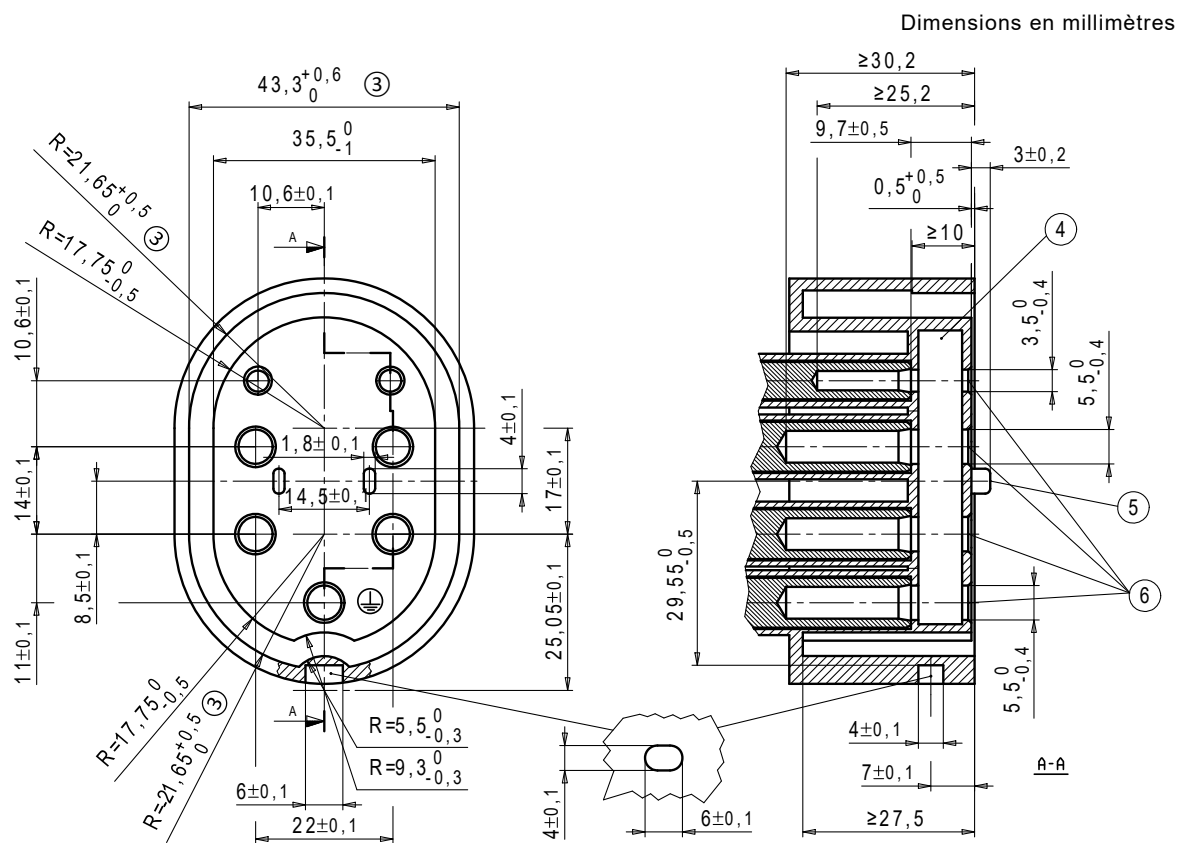
## Disposition des broches

Vue de face des broches du socle de connecteur de  
véhicule

### CONFIGURATION DE TYPE 3

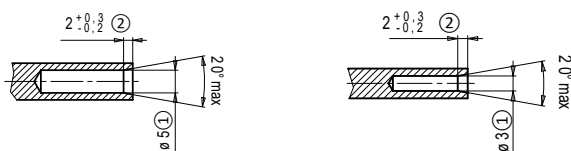
#### FEUILLES DE NORME 2-IIIc PRISE MOBILE DE VEHICULE 63 A, 480 V TRIPHASEE AVEC 2 CONTACTS PILOTES

#### Feuille 4 (suite de la Feuille 3)



Les trous ou les perçages pratiqués dans la face avant, le cas échéant, en dehors des alvéoles, ne doivent pas avoir une profondeur supérieure à 10 mm.

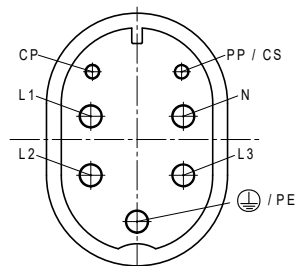
#### Extrémités des alvéoles



Contacts de  
Terre/Phase/Neutre

Contacts pilotes

#### Disposition des alvéoles



Vue de face des alvéoles de la prise mobile  
de véhicule

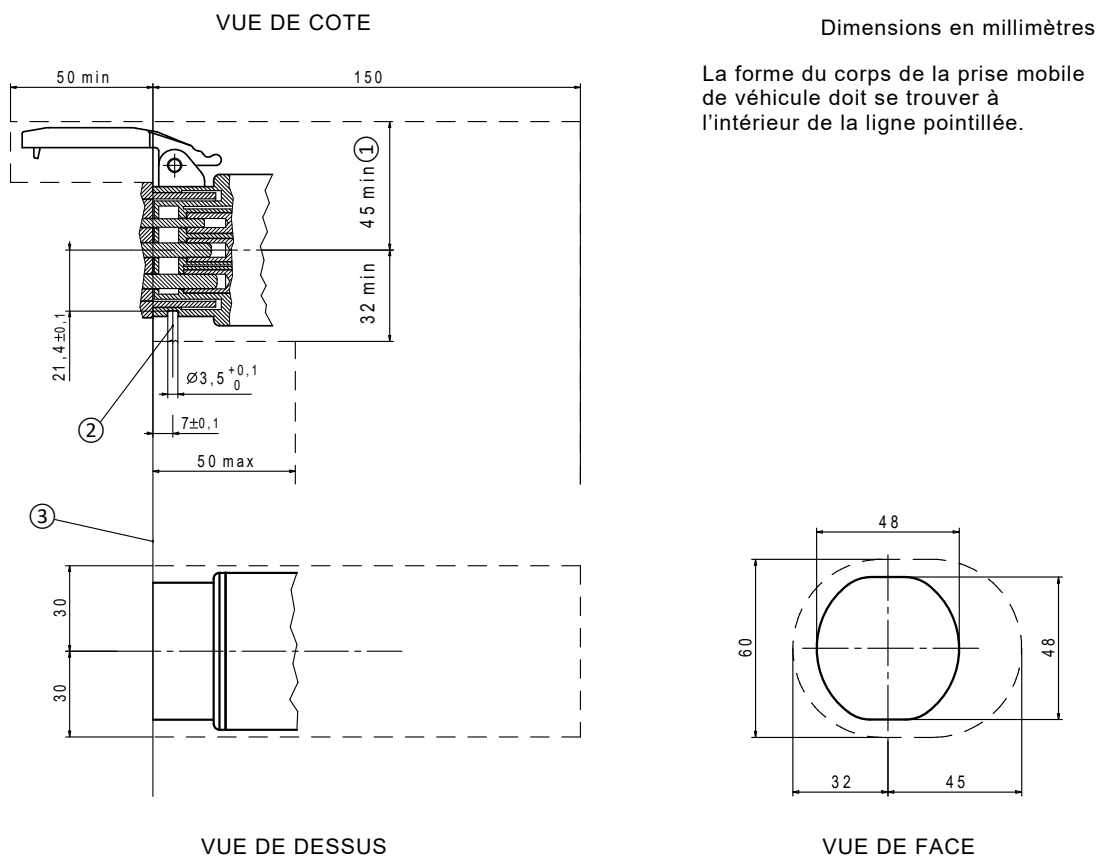
#### Légende

- ① Les dimensions concernent les broches; les alvéoles peuvent ne pas être cylindriques.
- ② Le chanfrein des alvéoles peut être arrondi vers la surface intérieure du cylindre sur une portion ne dépassant pas 1,5 fois les valeurs indiquées.
- ③ Les dimensions indiquées doivent être dans les limites spécifiées sur les premiers 10 mm à partir du plan de référence. Au-delà, elles peuvent être plus grandes, mais pas plus petites.
- ④ Espace pour les obturateurs. Le cas échéant, ils sont obligatoires pour les alvéoles de phase et de neutre.
- ⑤ La broche d'obturateur doit être arrondie ou chanfreinée.
- ⑥ Les orifices d'entrée des broches doivent être arrondis ou chanfreinés.
- ⑦ Cette dimension est mesurée à partir de l'extrémité de l'alvéole.

**CONFIGURATION DE TYPE 3**

DE NORME 2-III d  
 PRISE DE COURANT DE VEHICULE 16 A, 250 V MONOPHASEE  
 (PRISE MOBILE DE VEHICULE + SOCLE DE CONNECTEUR DE VEHICULE)

DISPOSITIF D'ACCROCHAGE ET VOLUME ENVELOPPE (FEUILLE DE NORME 2-III a)

*Feuille 1***Légende**

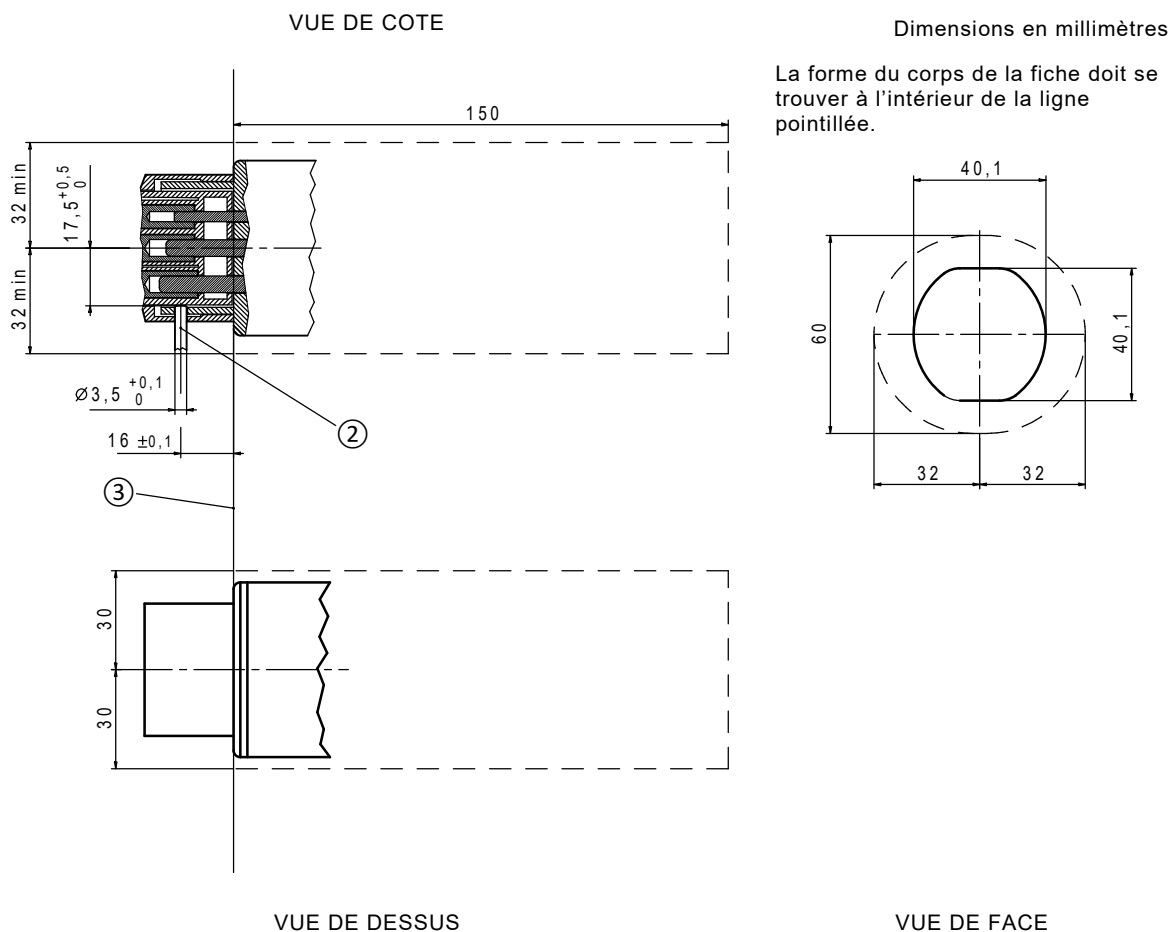
- ① Espace minimal exigé pour le mouvement du couvercle à charnière.
- ② Dispositif d'accrochage
- ③ Surface du véhicule

**CONFIGURATION DE TYPE 3**

FEUILLES DE NORME 2-III d  
 SOCLE DE PRISE DE COURANT VE + FICHE VE 16 A, 250 V MONOPHASES

DISPOSITIF D'ACCROCHAGE ET VOLUME ENVELOPPE (FEUILLE DE NORME 2-III a)

*Feuille 2 (suite de la Feuille 1)*



**Légende**

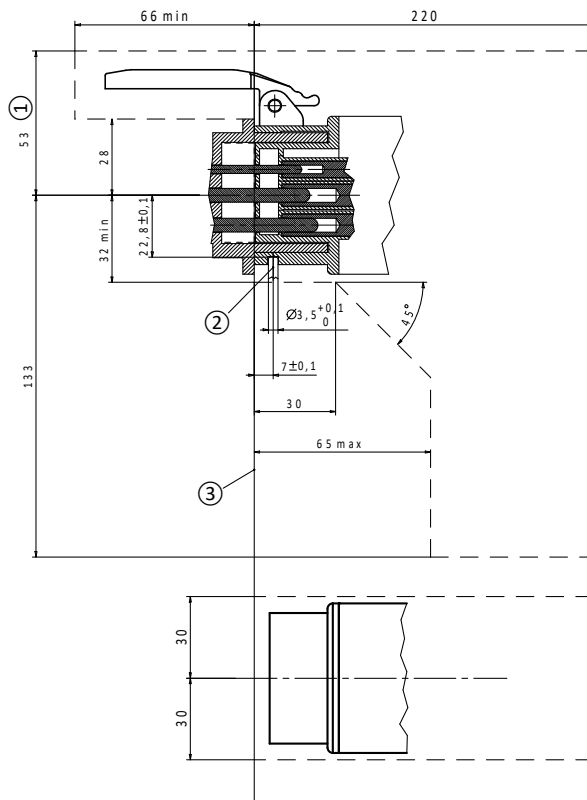
- ② Dispositif d'accrochage
- ③ Surface du véhicule

**CONFIGURATION DE TYPE 3**

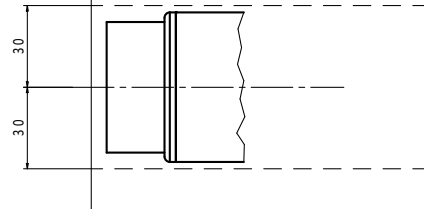
**FEUILLES DE NORME 2-III d**  
**PRISE DE COURANT DE VEHICULE 32 A, 250 V MONOPHASEE**  
**(PRISE MOBILE DE VEHICULE + SOCLE DE CONNECTEUR DE VEHICULE)**

**DISPOSITIF D'ACCROCHAGE ET VOLUME ENVELOPPE (FEUILLE DE NORME 2-III b)***Feuille 3 (suite de la Feuille 2)*

VUE DE COTE

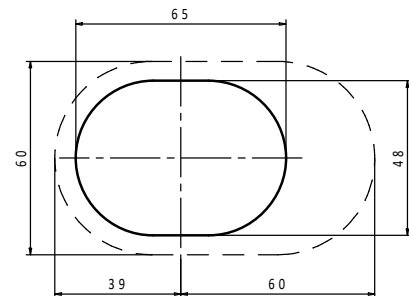


VUE DE DESSUS



Dimensions en millimètres

La forme du corps de la prise mobile de véhicule doit se trouver à l'intérieur de la ligne pointillée.



VUE DE FACE

Dimensions en millimètres

**Légende**

- ① Espace minimal exigé pour le mouvement du couvercle à charnière.
- ② Dispositif d'accrochage
- ③ Surface du véhicule

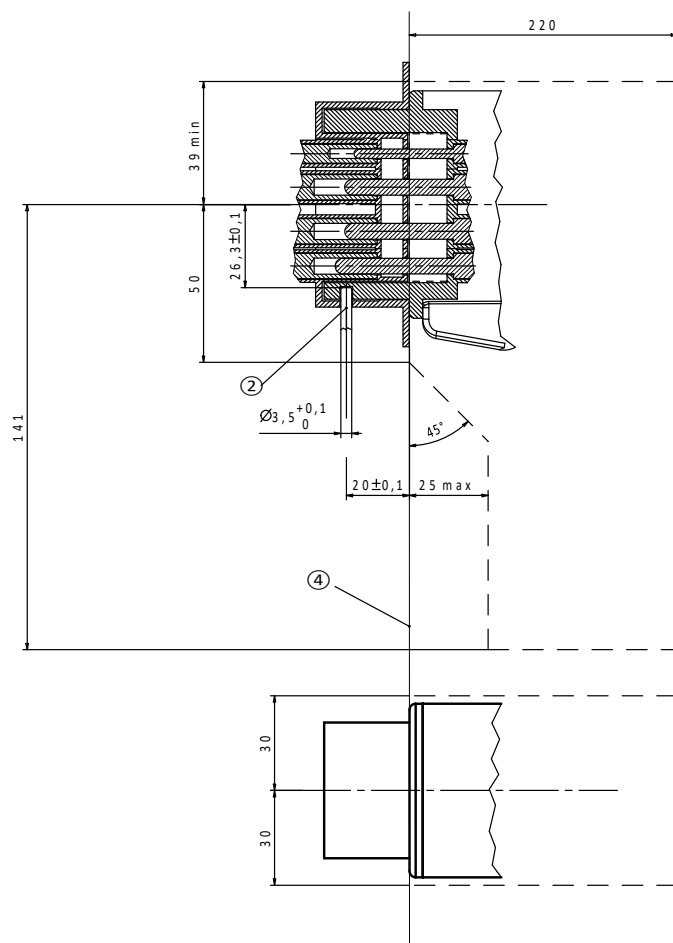
### CONFIGURATION DE TYPE 3

FEUILLES DE NORME 2-III d  
SOCLE DE PRISE DE COURANT VE + FICHE VE 32 A, 250 V MONOPHASES

DISPOSITIF D'ACCROCHAGE ET VOLUME ENVELOPPE (FEUILLE DE NORME 2-III b)

*Feuille 4 (suite de la Feuille 3)*

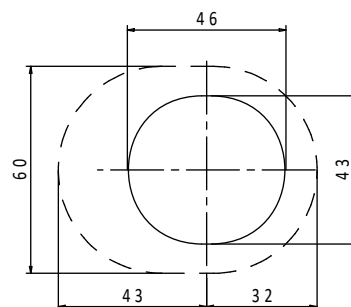
VUE DE COTE



VUE DE DESSUS

Dimensions en millimètres

La forme du corps de la fiche doit se trouver à l'intérieur de la ligne pointillée.



VUE DE FACE

#### Légende

- ② Dispositif d'accrochage
- ④ Surface du socle de prise de courant



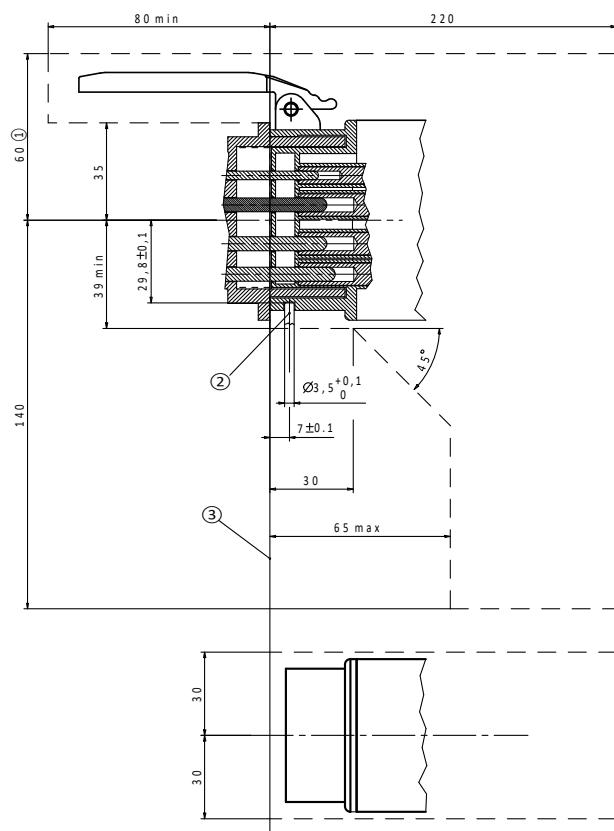
**CONFIGURATION DE TYPE 3**

FEUILLES DE NORME 2-III d  
 PRISE DE COURANT DE VEHICULE 63 A, 480 V TRIPHASEE  
 (PRISE MOBILE DE VEHICULE + SOCLE DE CONNECTEUR DE VEHICULE)

DISPOSITIF D'ACCROCHAGE ET VOLUME ENVELOPPE (FEUILLE DE NORME 2-III c)

*Feuille 5 (suite de la Feuille 4)*

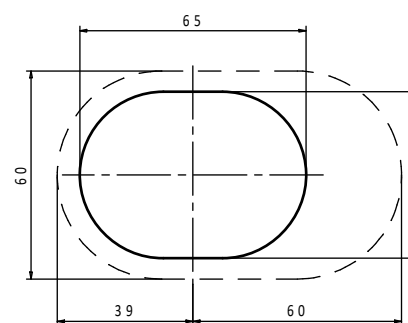
VUE DE COTE



VUE DE DESSUS

Dimensions en millimètres

La forme du corps de la prise mobile de véhicule doit se trouver à l'intérieur de la ligne pointillée.



VUE DE FACE

**Légende**

- ① Espace minimal exigé pour le mouvement du couvercle à charnière.
- ② Dispositif d'accrochage
- ③ Surface du véhicule

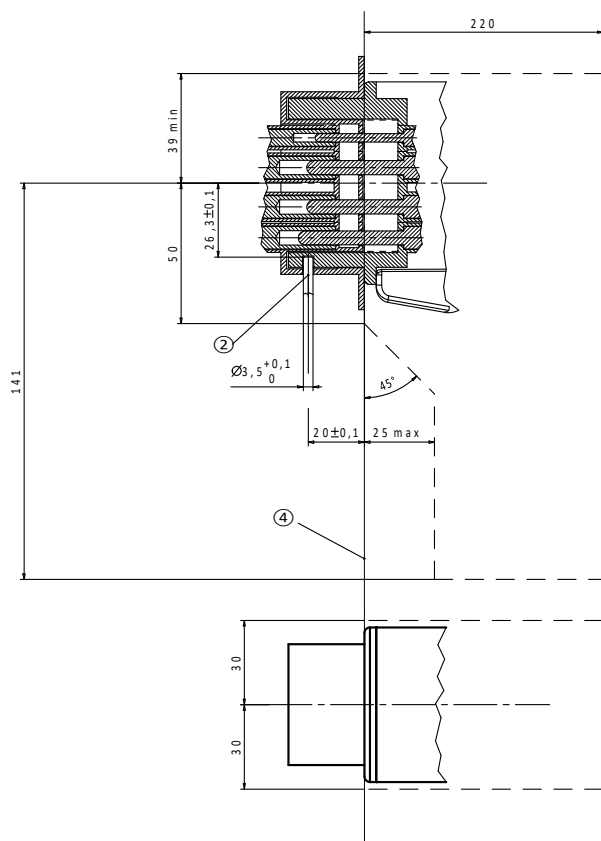
### CONFIGURATION DE TYPE 3

FEUILLES DE NORME 2-III d  
 SOCLE DE PRISE DE COURANT VE + FICHE VE 63 A, 480 V TRIPHASES

DISPOSITIF D'ACCROCHAGE ET VOLUME ENVELOPPE (FEUILLE DE NORME 2-III c)

Feuille 6 (suite de la Feuille 5)

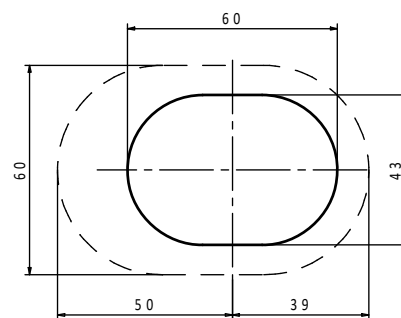
VUE DE COTE



VUE DE DESSUS

Dimensions en millimètres

La forme du corps de la fiche doit se trouver à l'intérieur de la ligne pointillée.



VUE DE FACE

**Légende**

- ② Dispositif d'accrochage
- ④ Surface du socle de prise de courant

## **Annexe A** (informative)

### **Anciens dessins de l'IEC 62196-2:2016**

La présente Annexe A présente les dessins originaux qui figurent dans l'IEC 62196-2:2016 et qui ont été modifiés dans cette troisième édition pour améliorer l'utilisation des appareils. Pour les appareils conformes à l'IEC 62196-2:2016 à la date de publication de cette troisième édition, ces dessins peuvent servir de variante aux Feuilles de norme II (suivant le cas).

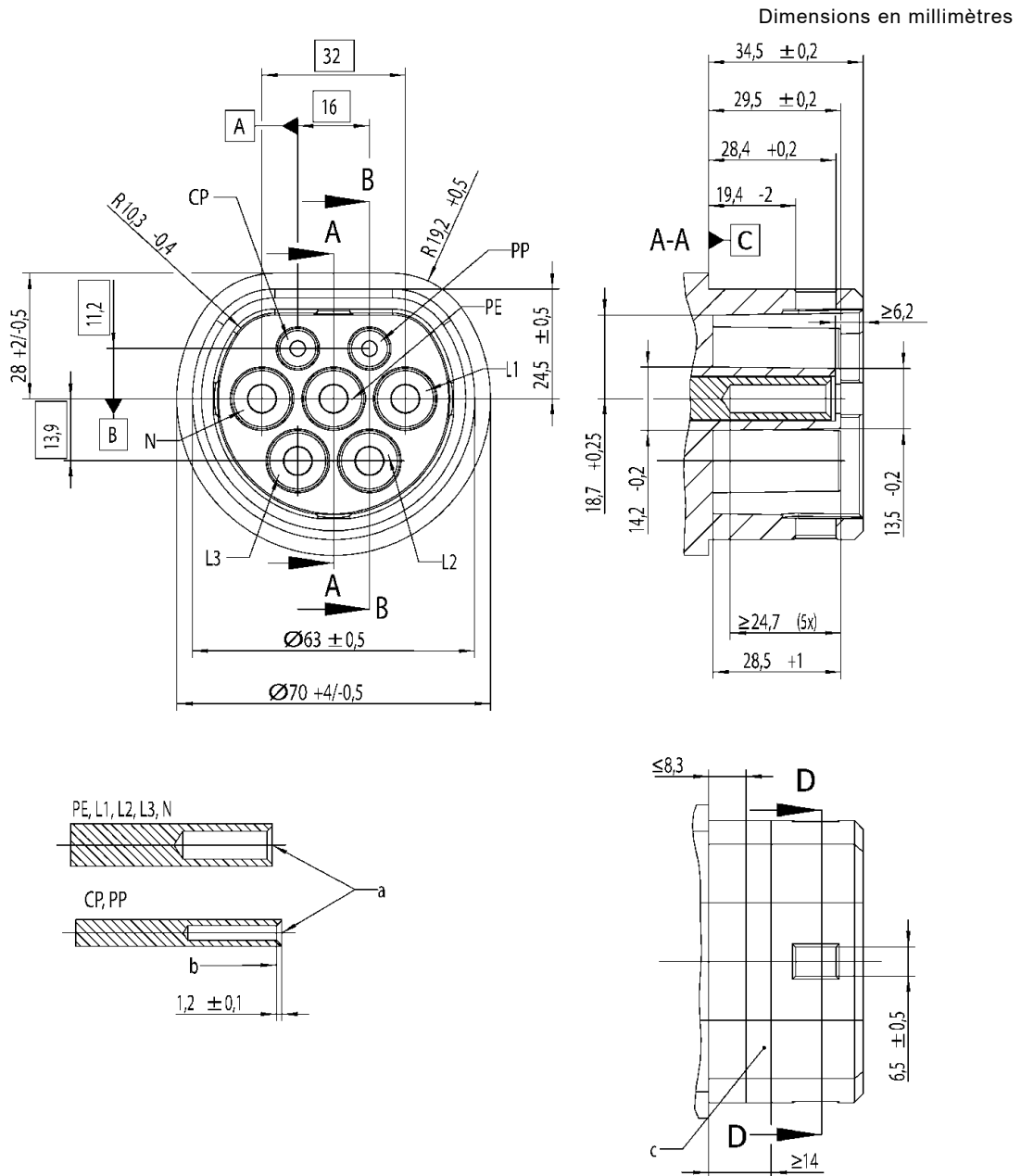
La présente annexe est incluse uniquement aux fins de cette troisième édition et sera retirée dans la prochaine édition de l'IEC 62196-2.

**CONFIGURATION DE TYPE 2-II**

63 A/480 V TRIPHASE OU 70 A/250 V MONOPHASE

FEUILLES DE NORME 2-IIe (2016)  
PRISE MOBILE DE VEHICULE

*Feuille 1*



**Légende**

- a Extrémité des alvéoles chanfreinées pour faciliter l'insertion
- b Point de contact
- c Zone d'étanchéité exempte d'embu, de coupe d'outil et d'éjecteur  
Rugosité de surface de la zone d'étanchéité:  $R_a = 0,7 \mu\text{m}$

Rayons non dimensionnés: R 0,5 mm à 0,7 mm

Pour les prises mobiles monophasées, les contacts L2 et L3 comprenant l'isolation environnante peuvent être omis.

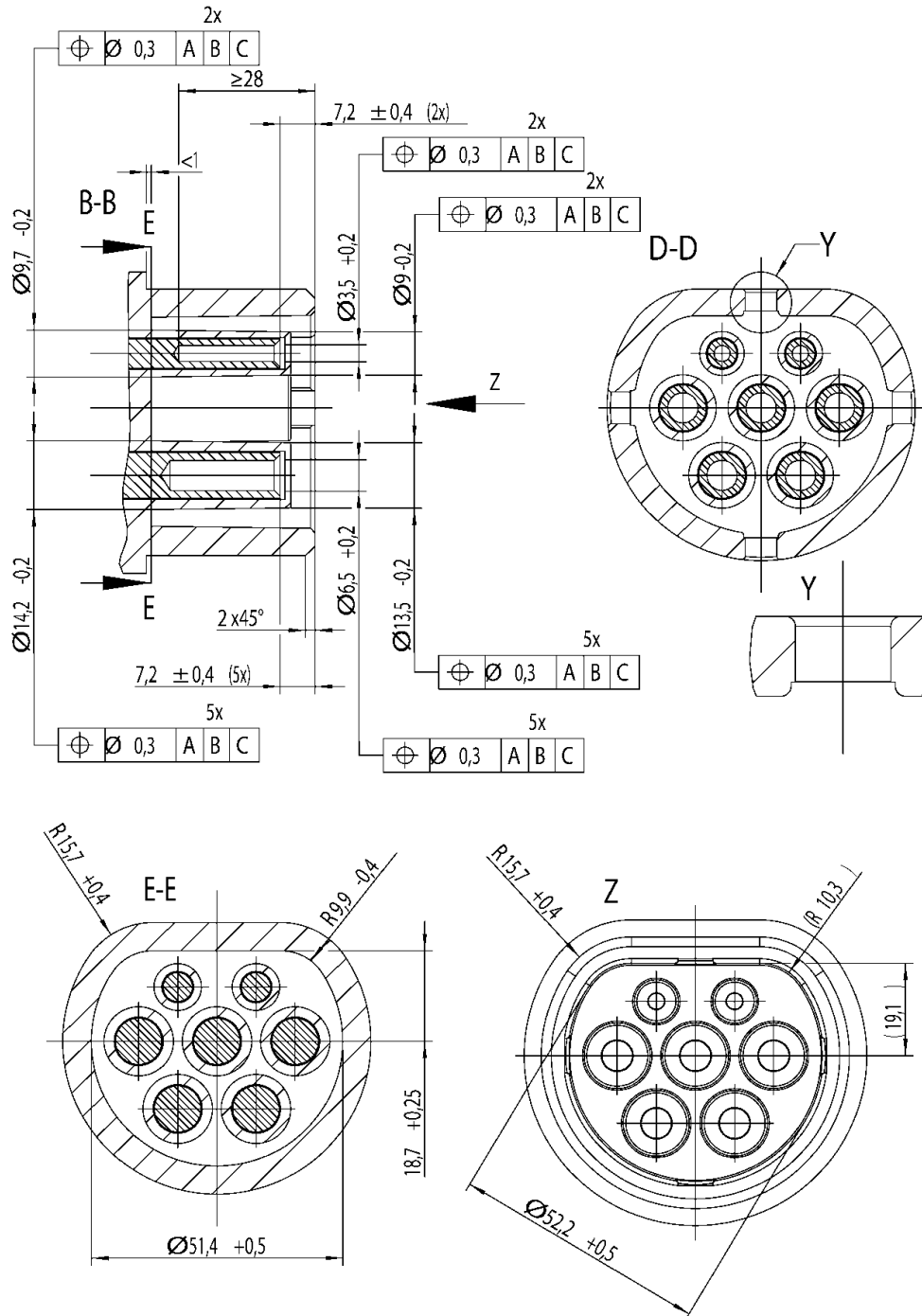
### CONFIGURATION DE TYPE 2-II

63 A/480 V TRIPHASE OU 70 A/250 V MONOPHASE

FEUILLES DE NORME 2-IIe (2016)  
PRISE MOBILE DE VEHICULE

Feuille 2 (suite de la Feuille 1)

Dimensions en millimètres



Rayons non dimensionnés: R 0,5 mm à 0,7 mm

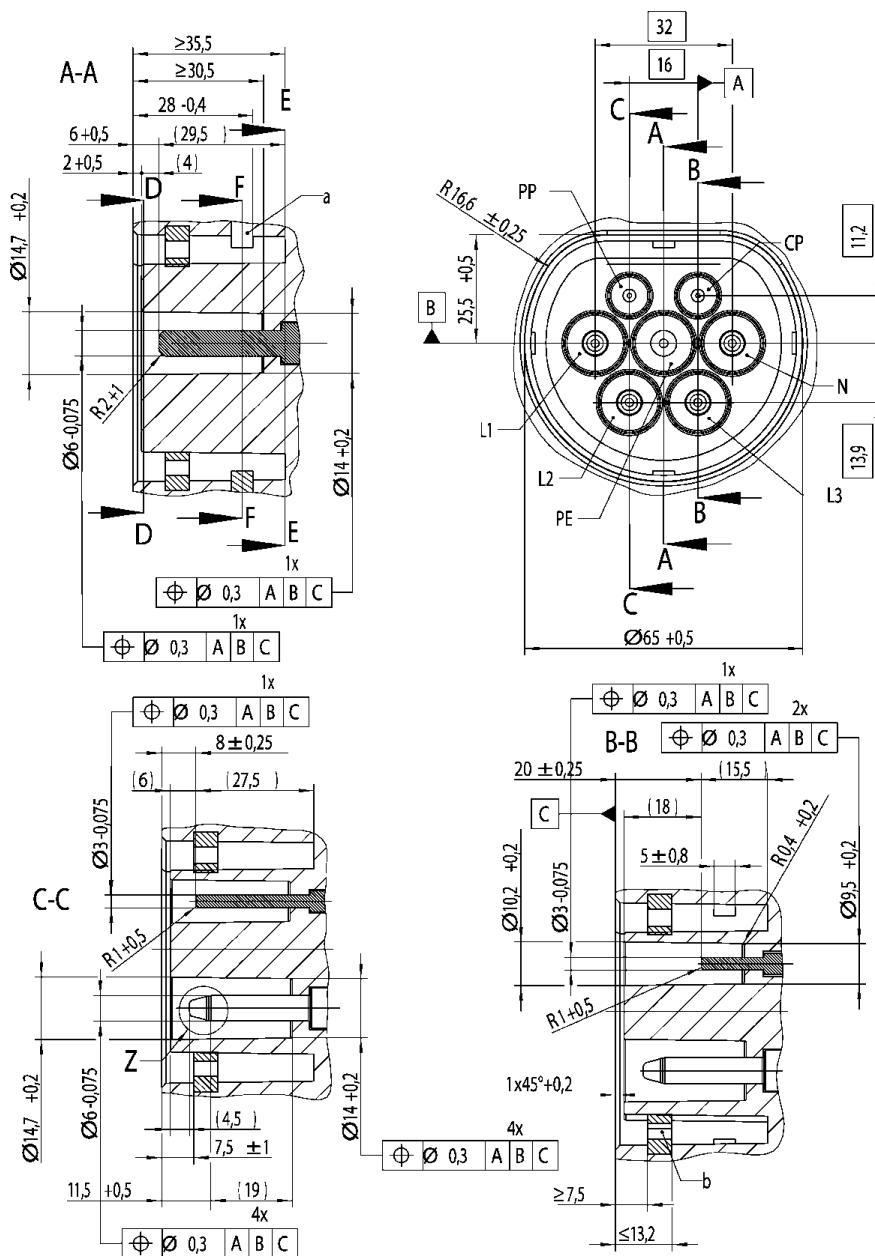
**CONFIGURATION DE TYPE 2-II**

63 A/480 V TRIPHASE OU 70 A/250 V MONOPHASE

**FEUILLES DE NORME 2-IIf (2016)  
SOCLE DE CONNECTEUR DE VEHICULE**

*Feuille 1*

Dimensions en millimètres



**Légende**

- a Dispositif d'accrochage – construction conforme à la décision du client
- b Zone d'étanchéité (étanchéité en option)

Pour les socles de connecteur monophasés, les contacts L2 et L3 peuvent être omis.

Rayons non dimensionnés: R 0,5 mm à 0,7 mm

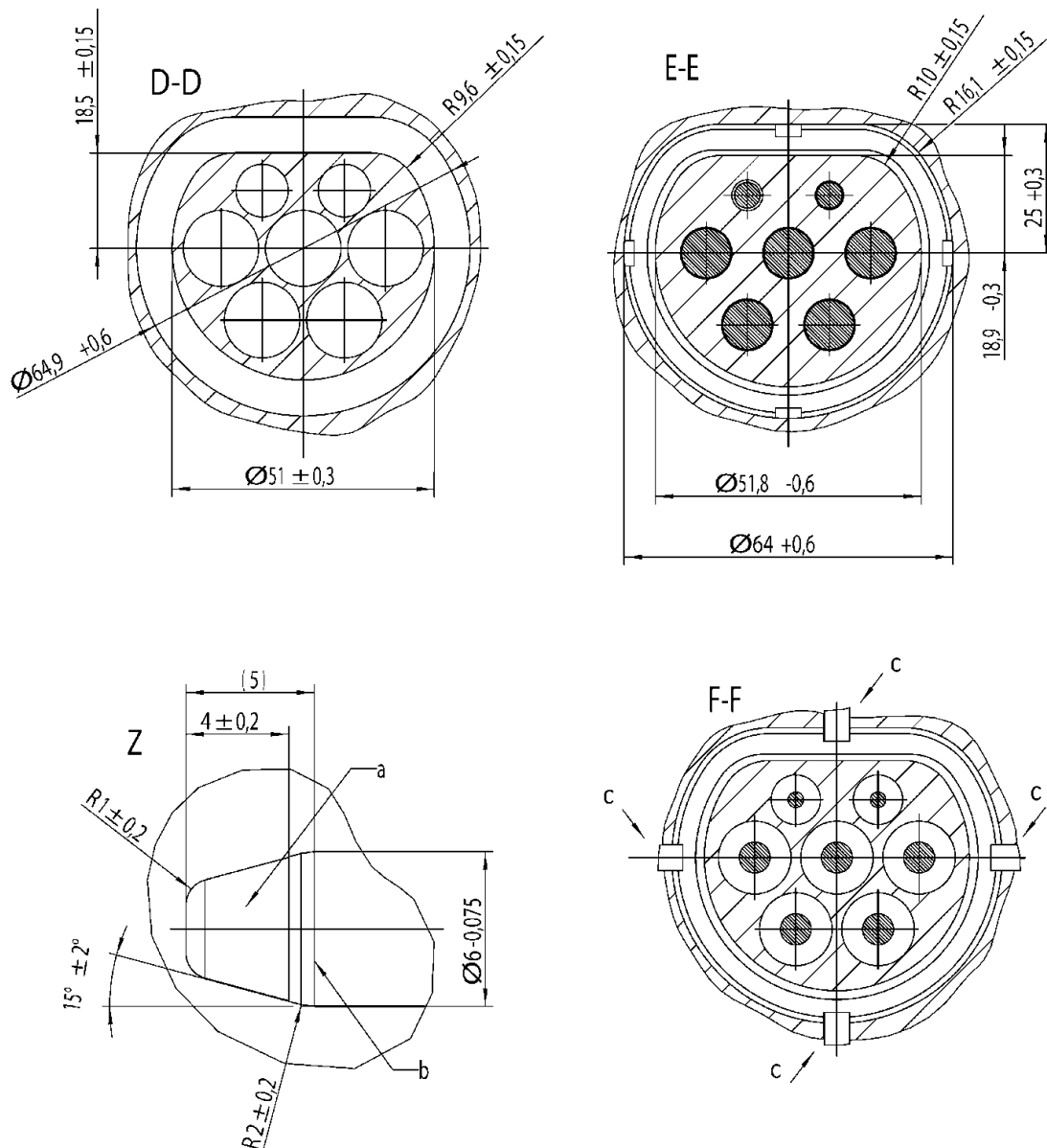
**CONFIGURATION DE TYPE 2-II**

63 A/480 V TRIPHASE OU 70 A/250 V MONOPHASE

FEUILLES DE NORME 2-IIf (2016)  
SOCLE DE CONNECTEUR DE VEHICULE

Feuille 2 (suite de la Feuille 1)

Dimensions en millimètres

**Légende**

- a Embout isolé
- b Aucune arête vive acceptable au niveau de la région de transition
- c Positions des dispositifs d'accrochage. Au moins un dispositif d'accrochage fourni.

Rayons non dimensionnés: R 0,5 mm à 0,7 mm

## Bibliographie

IEC 61851 (toutes les parties), *Système de charge conductive pour véhicules électriques*

IEC 62196-3:2022, *Fiches, socles de prise de courant, prises mobiles de véhicule et socles de connecteur de véhicule – Charge conductive des véhicules électriques – Partie 3: Exigences dimensionnelles de compatibilité pour les prises de courant de véhicule à broches et alvéoles pour courant continu et pour courants alternatif et continu*

---





